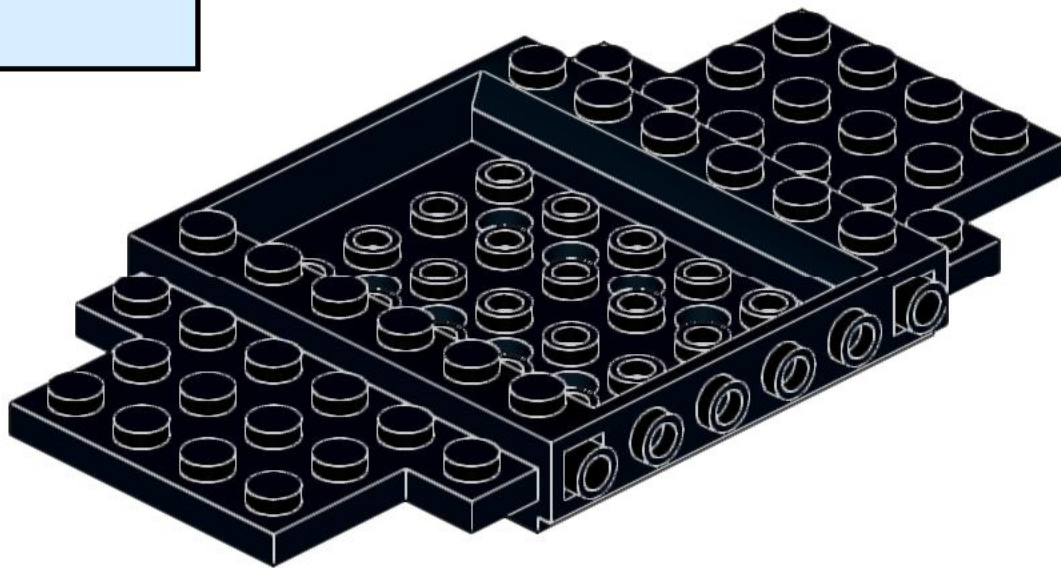
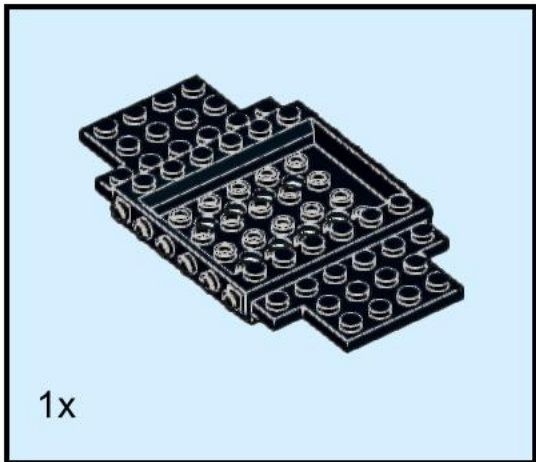
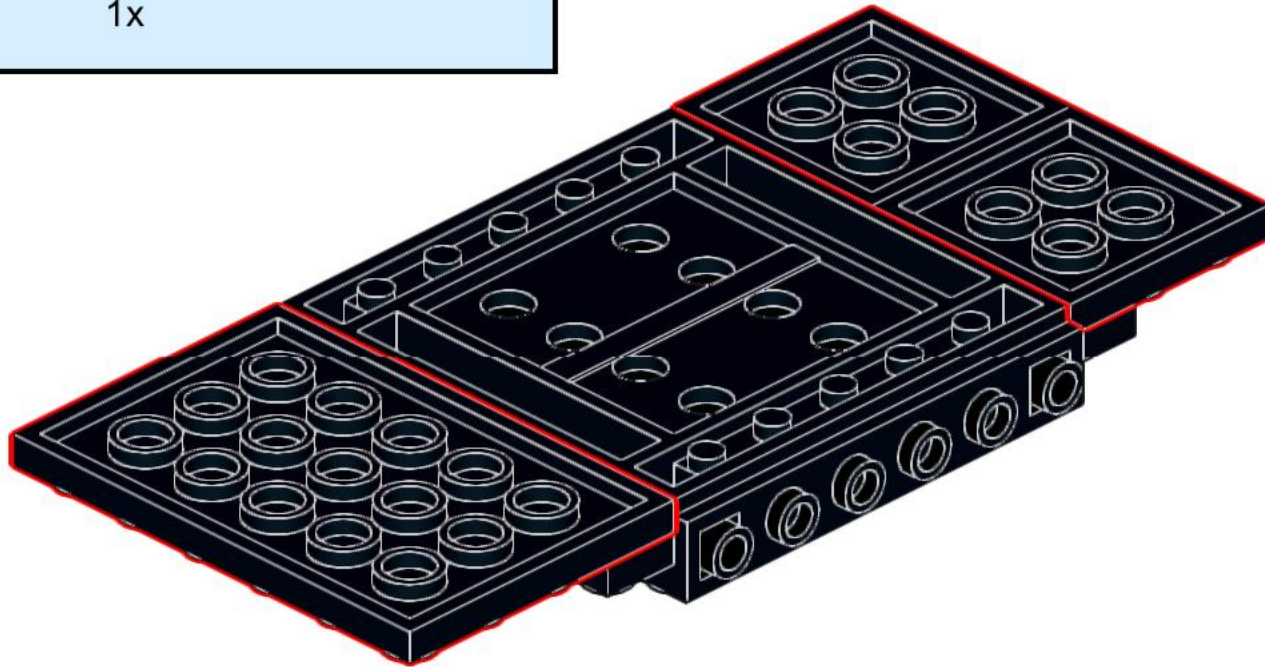
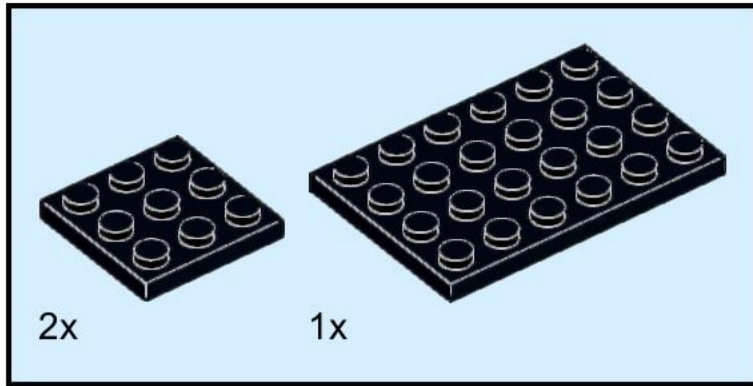


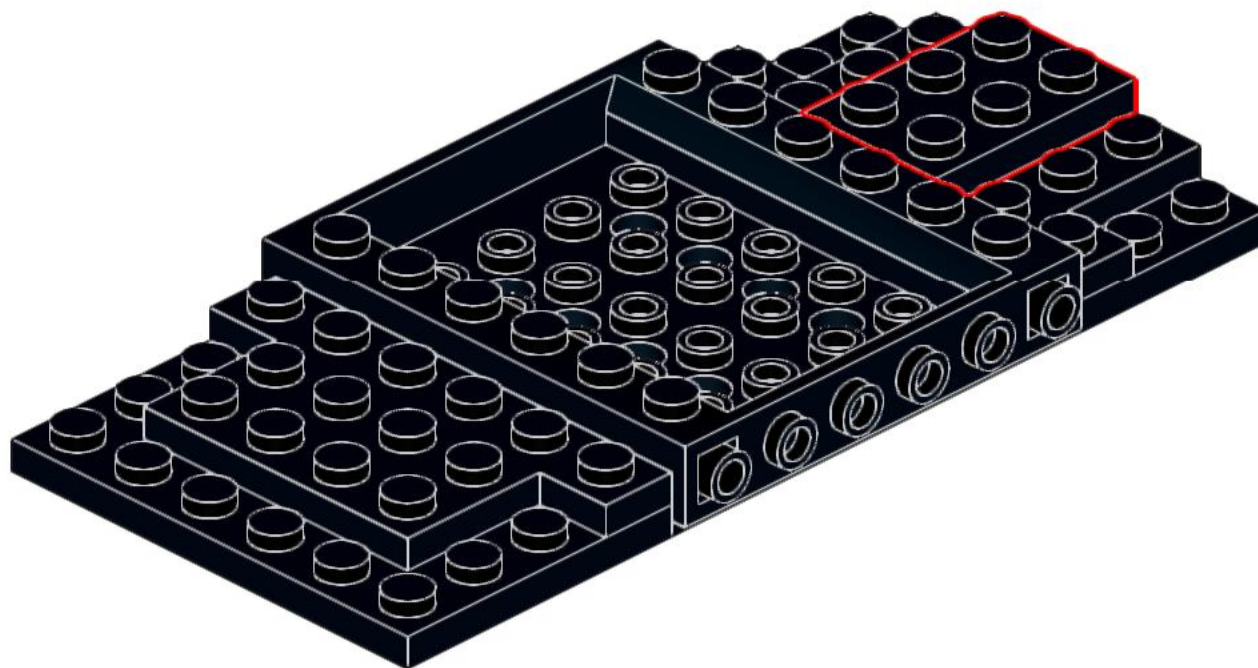
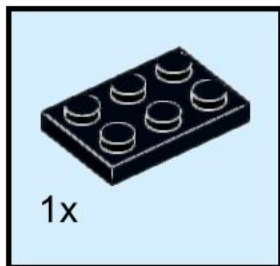
1



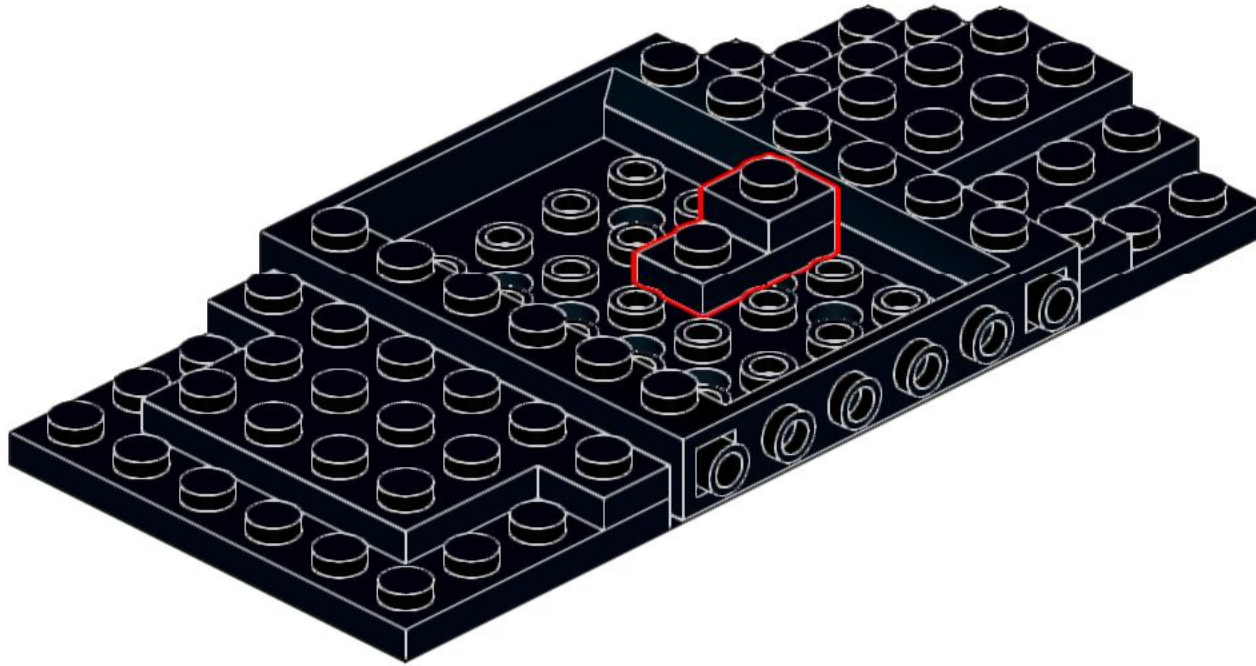
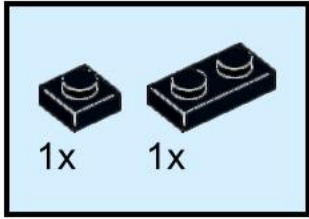
2



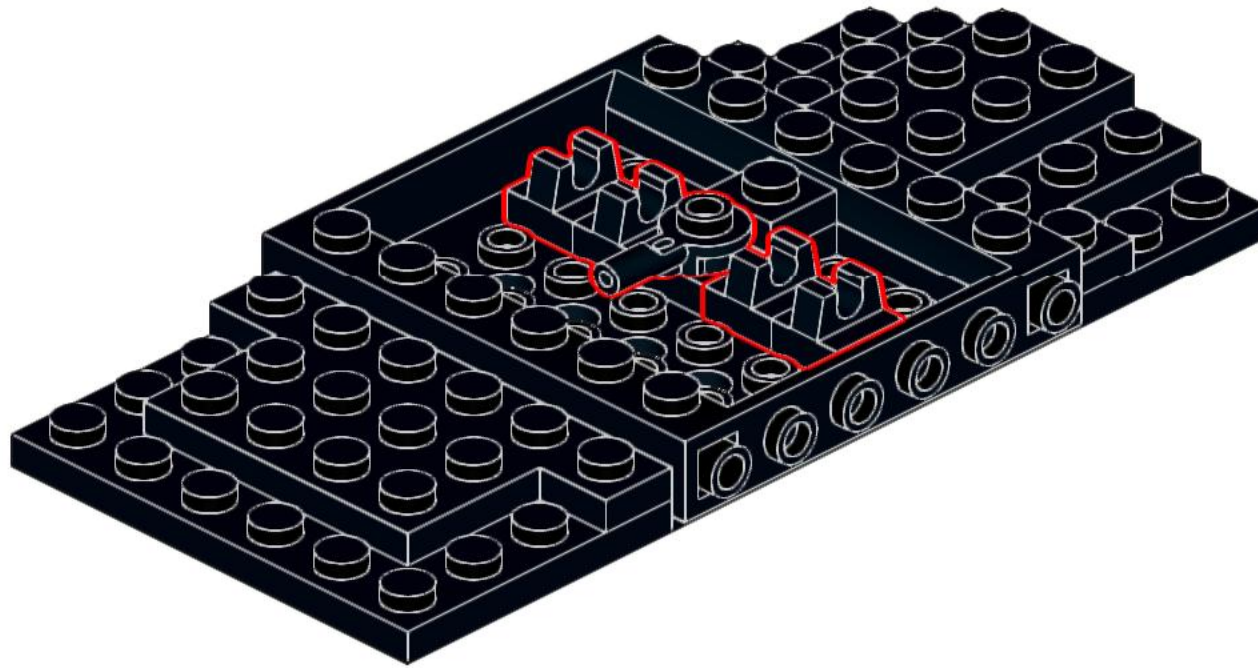
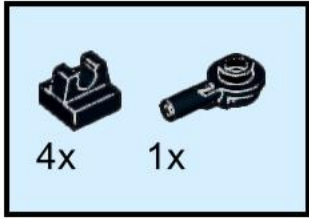
3



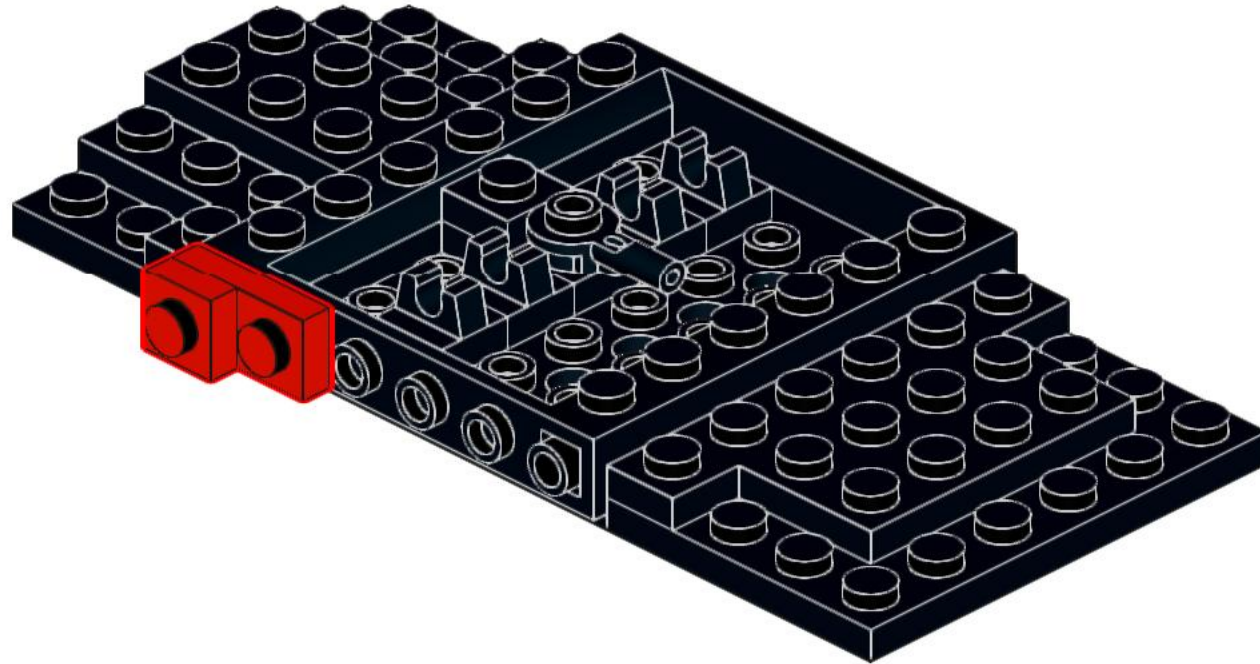
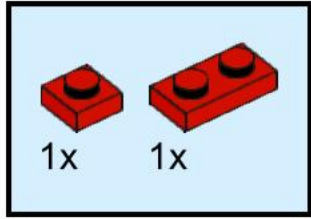
4



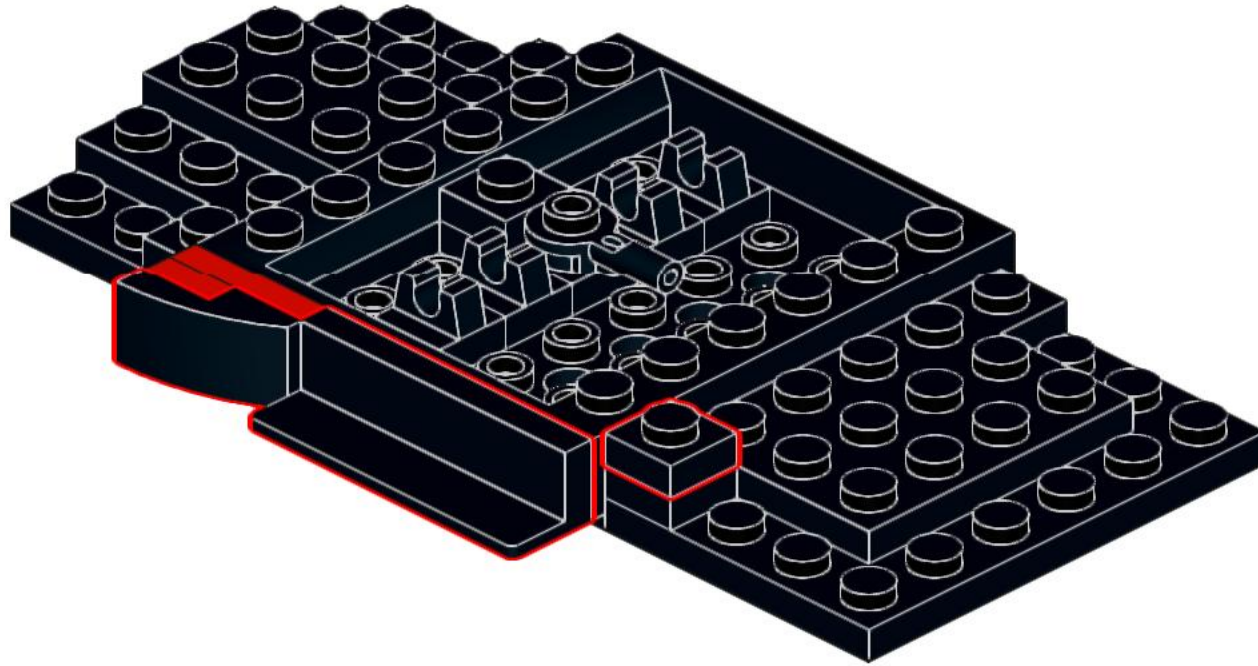
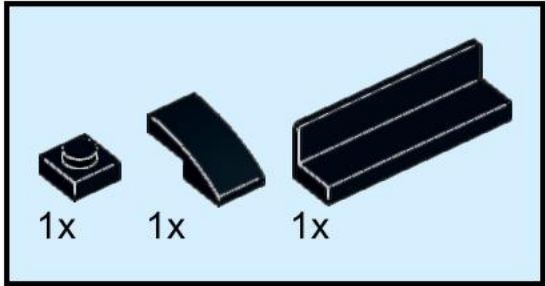
5



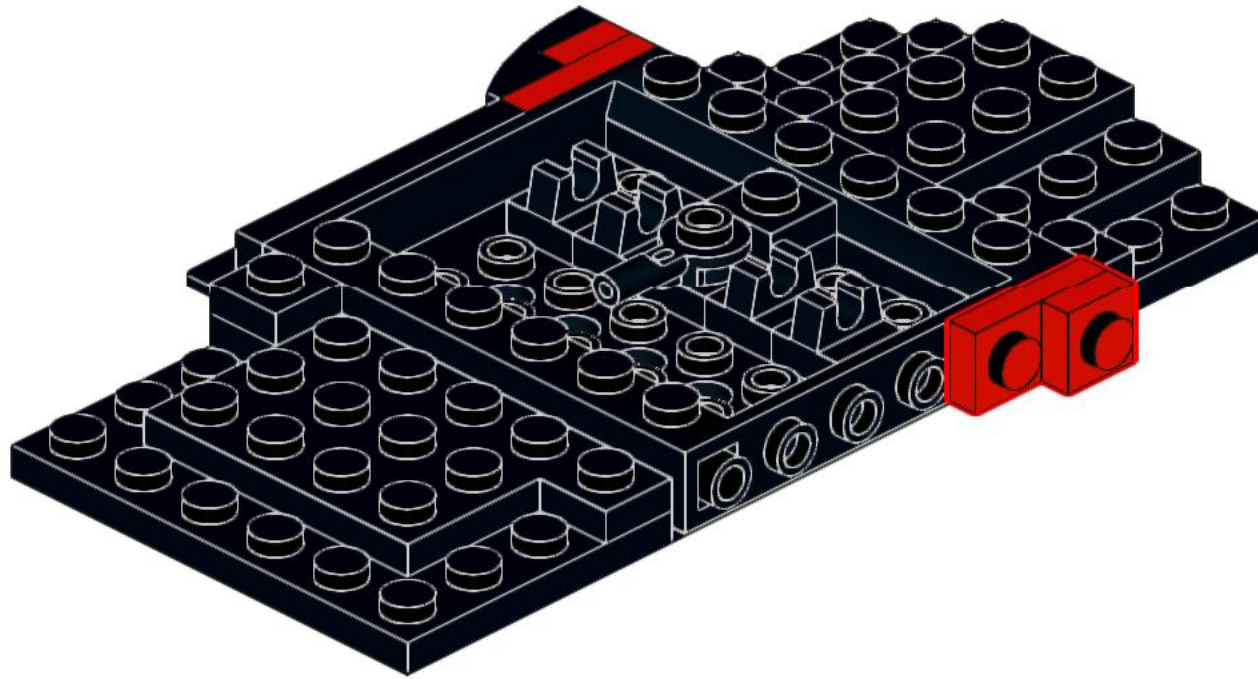
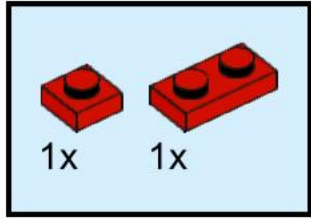
6



7

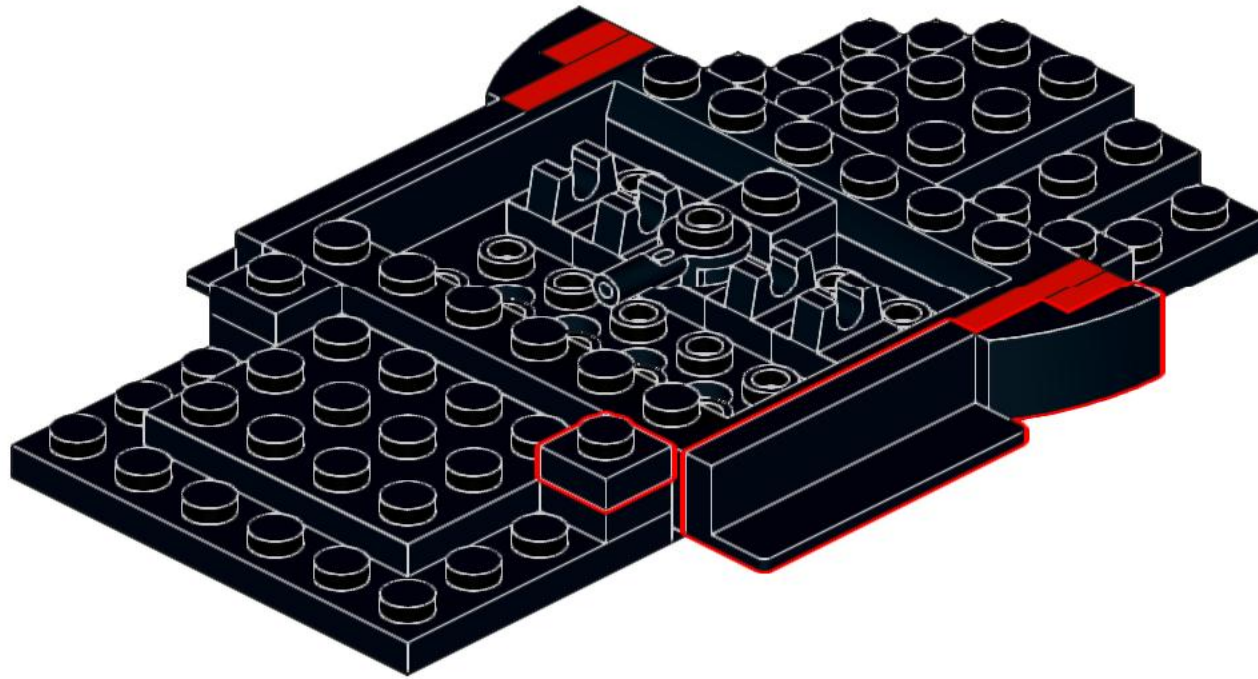
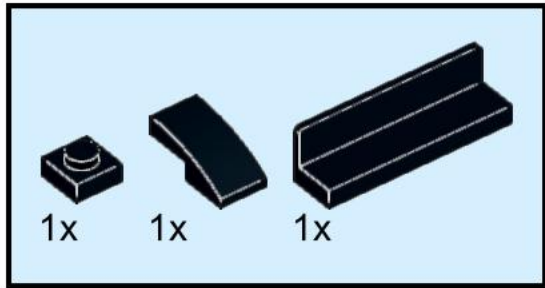


8

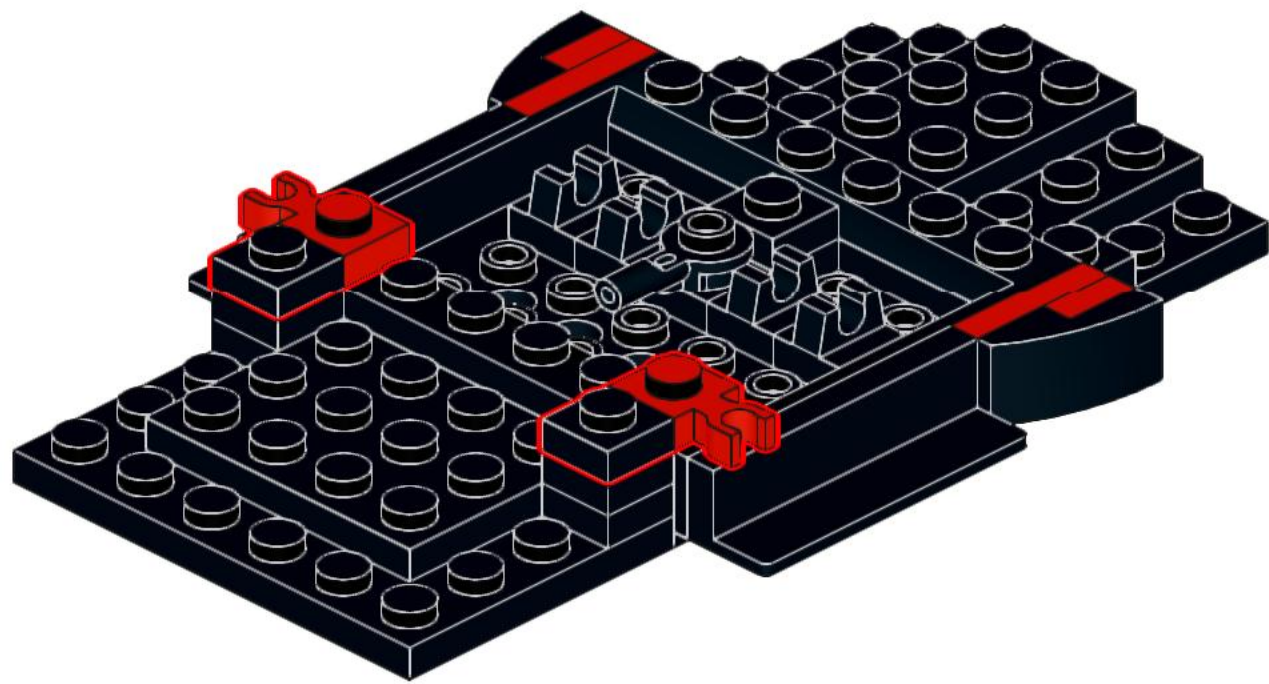
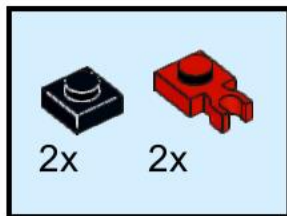




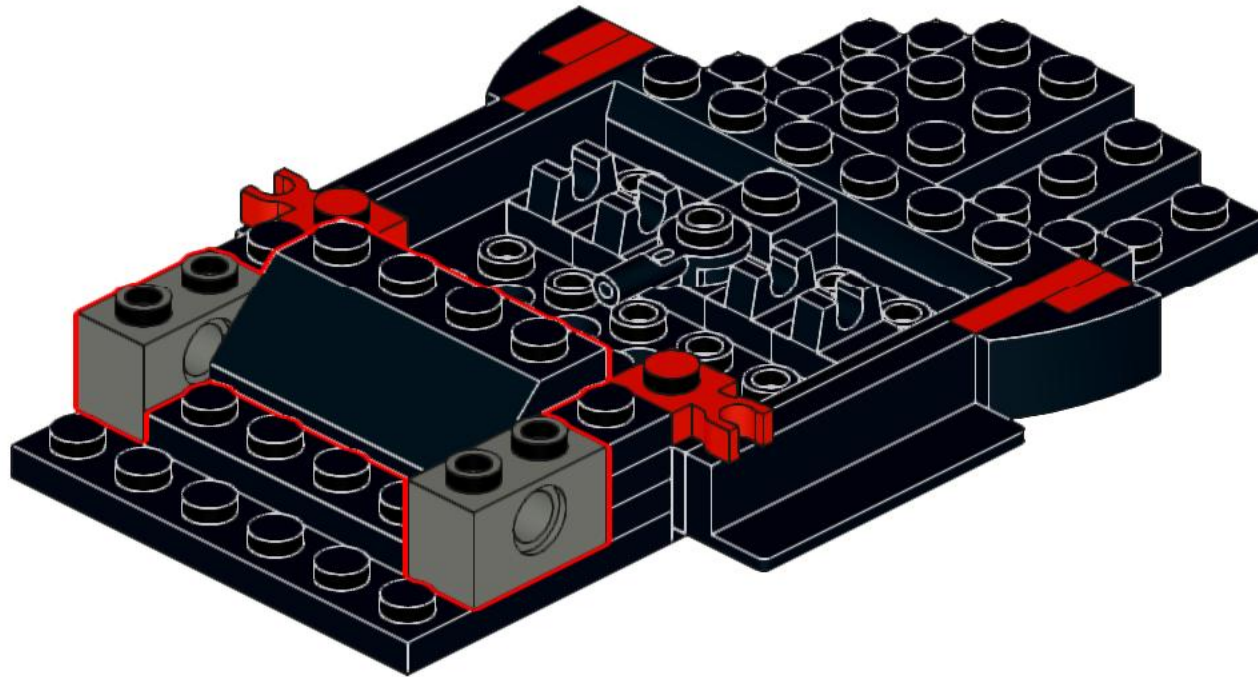
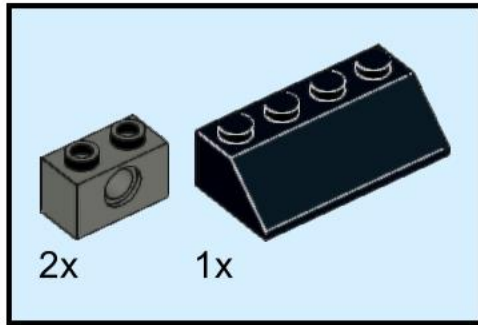
9



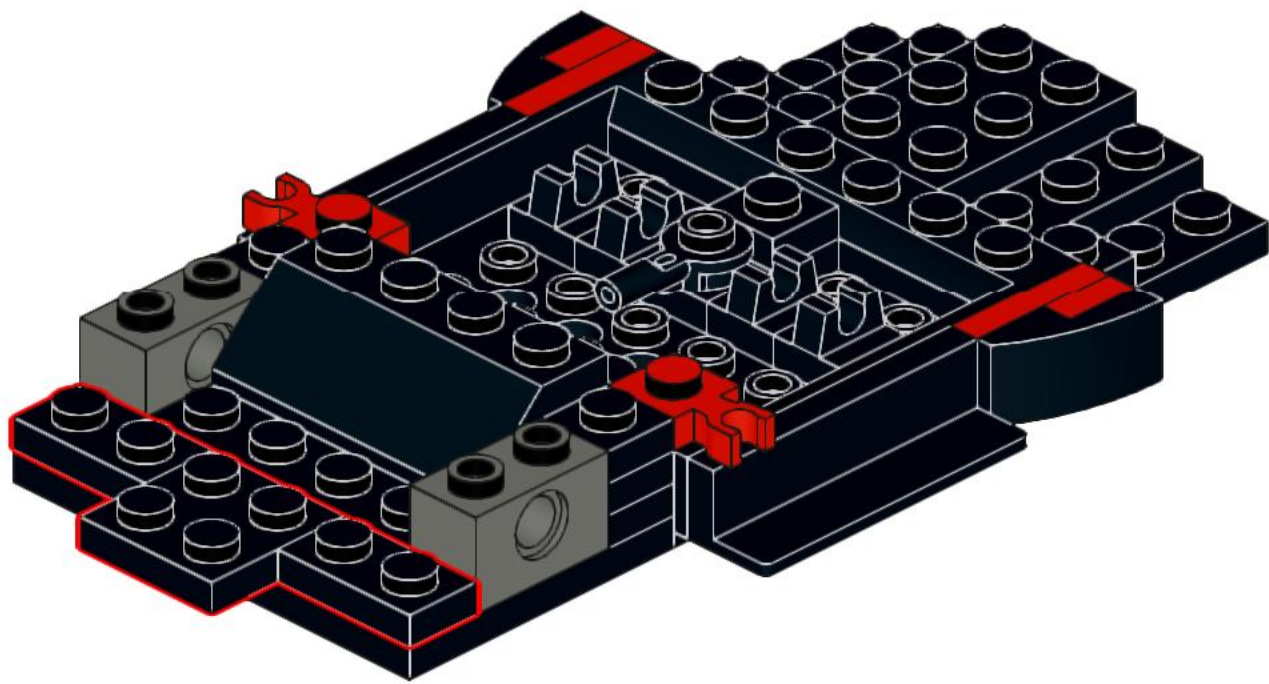
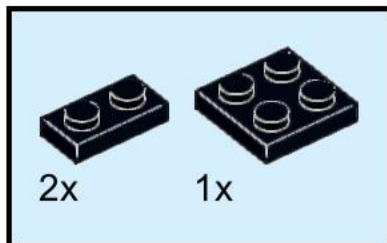
# 10



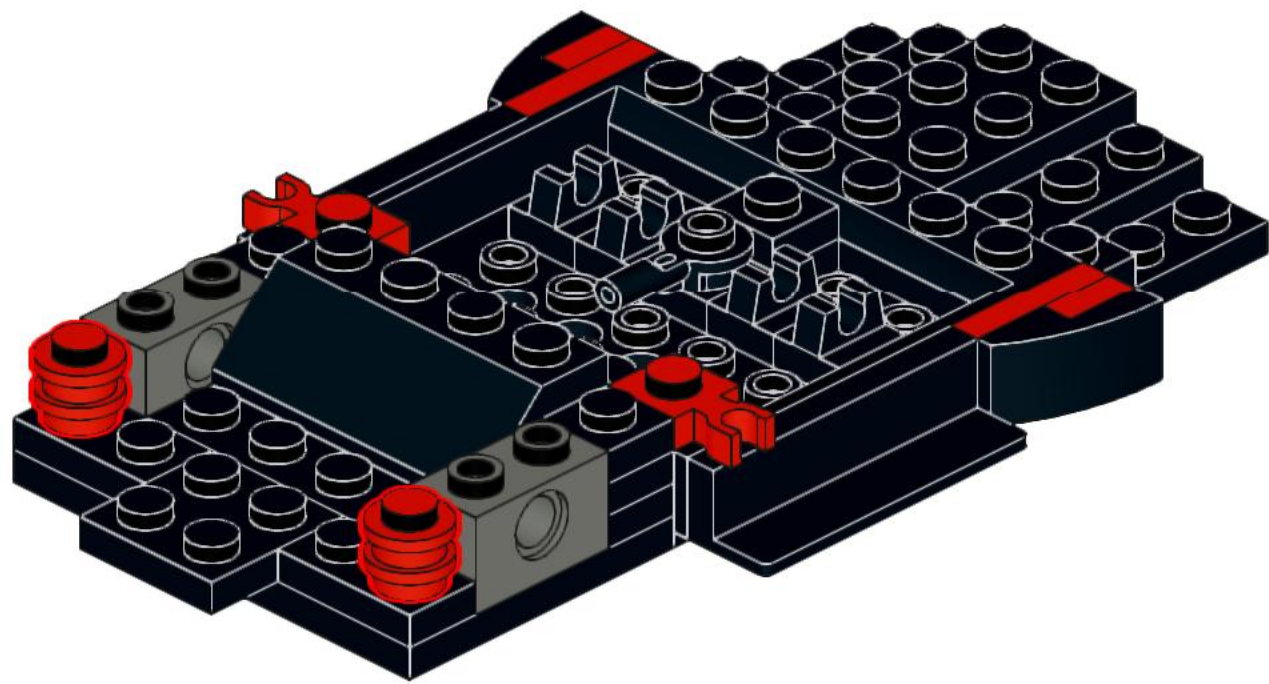
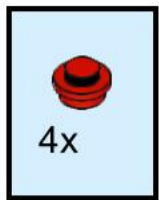
# 11



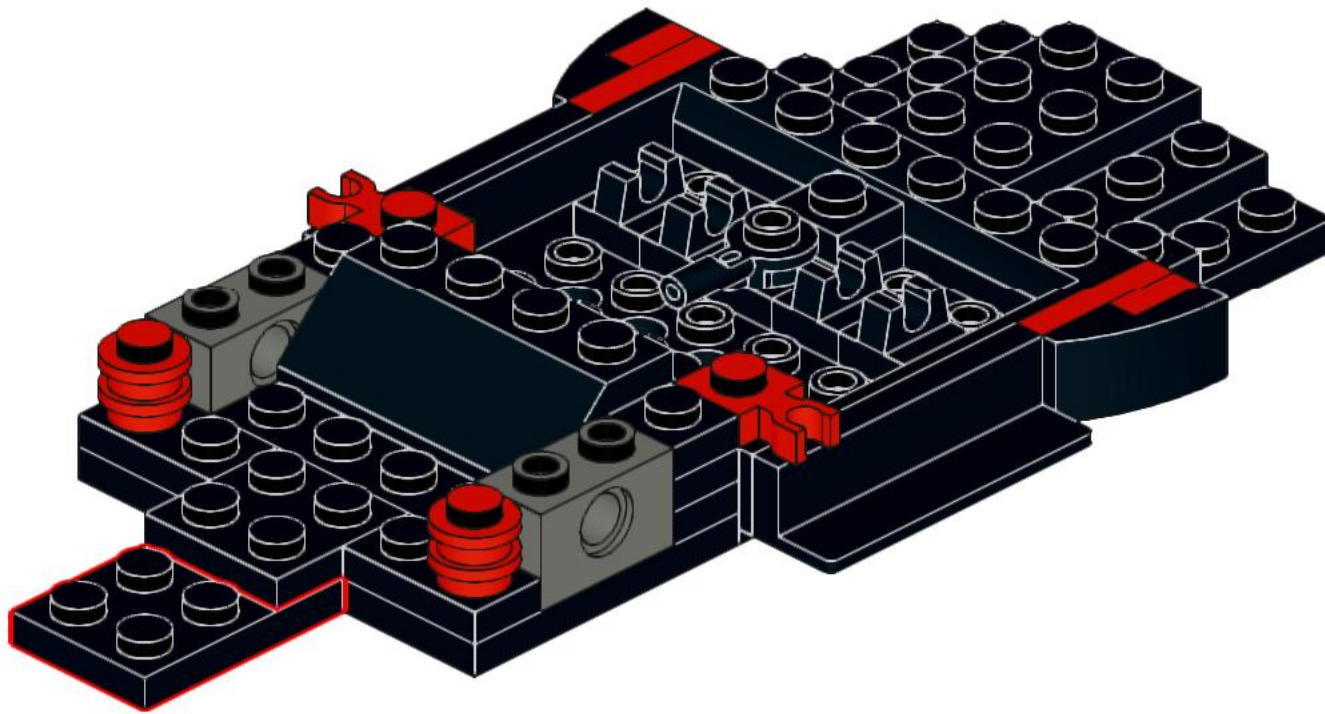
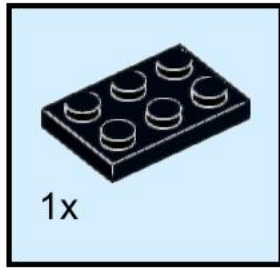
# 12



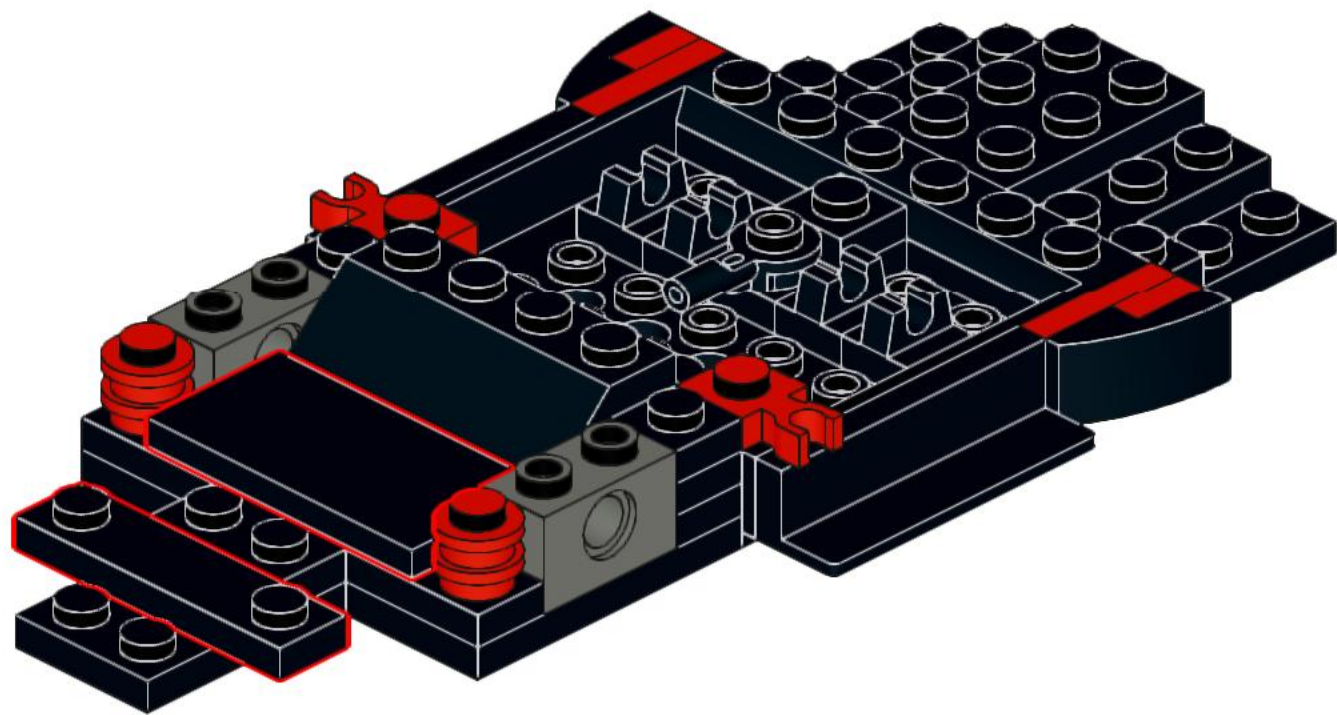
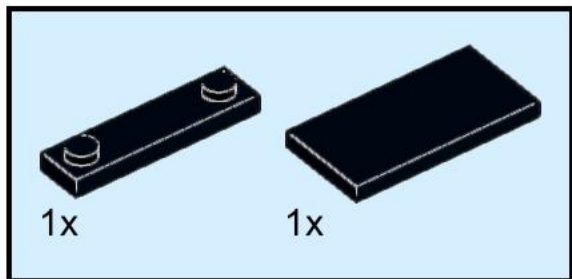
# 13



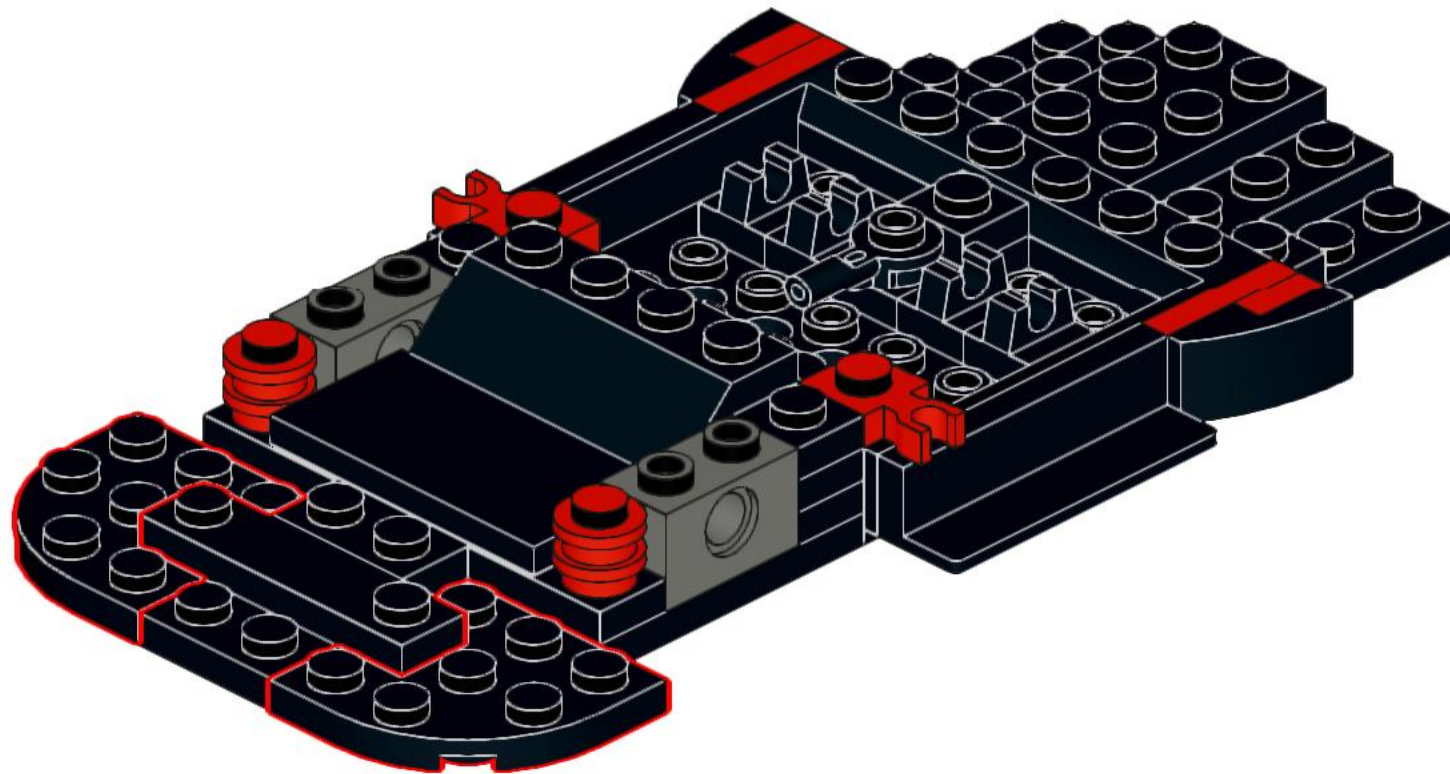
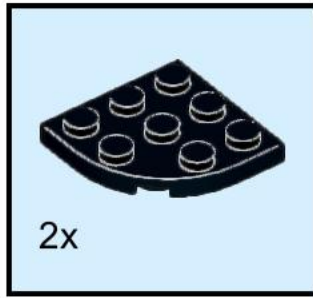
# 14



# 15

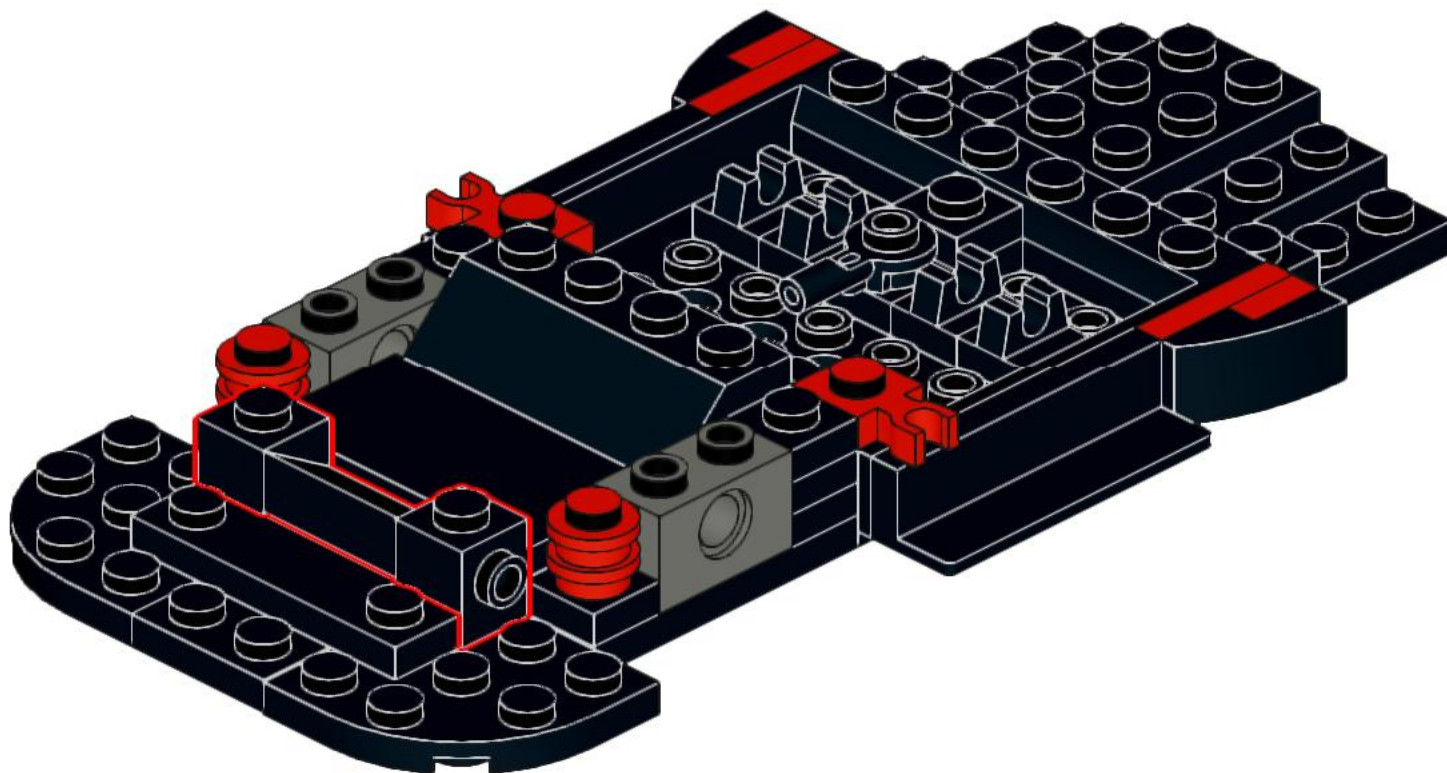
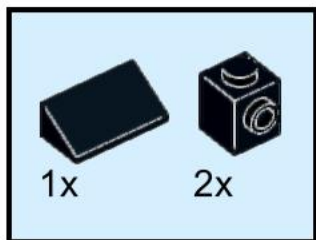


# 16

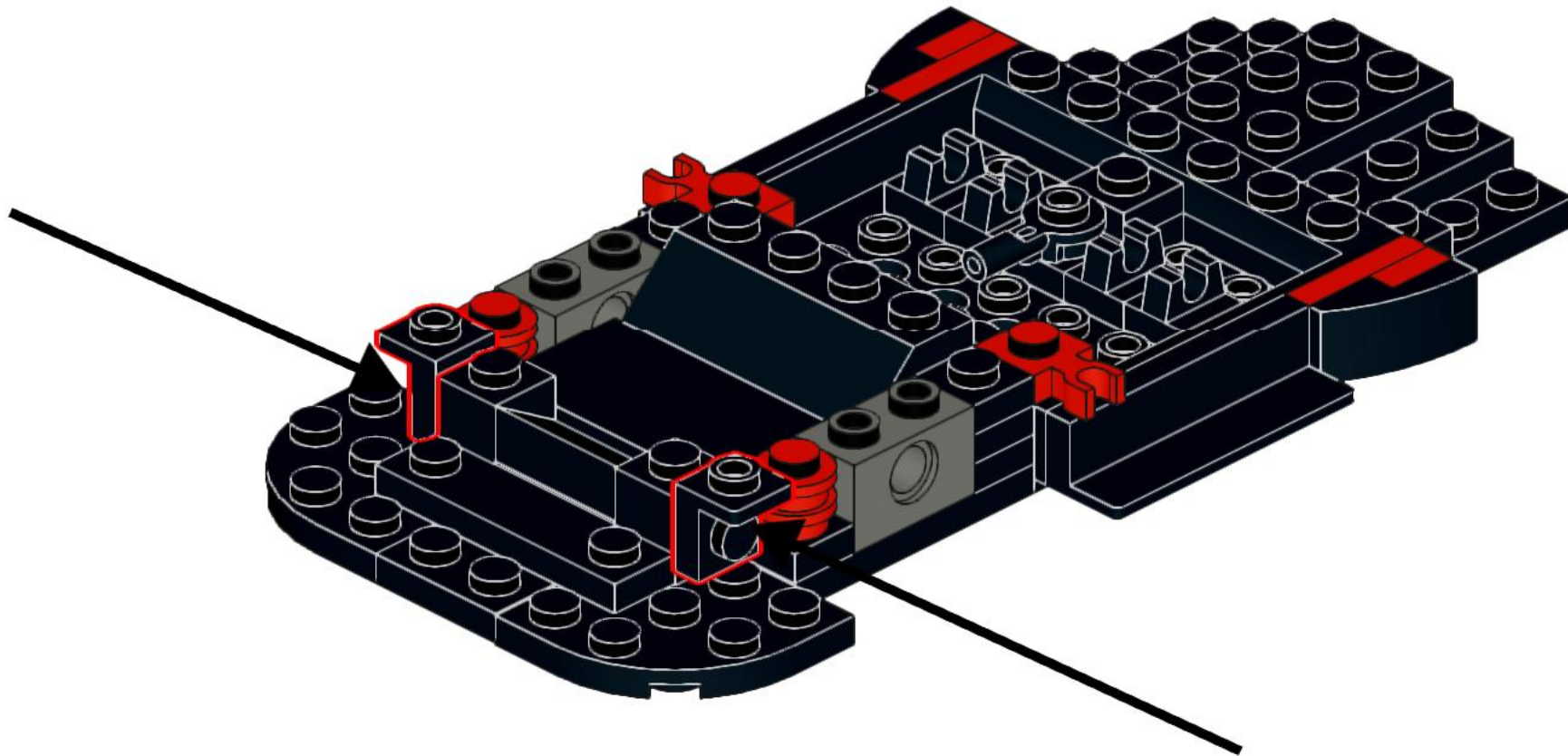




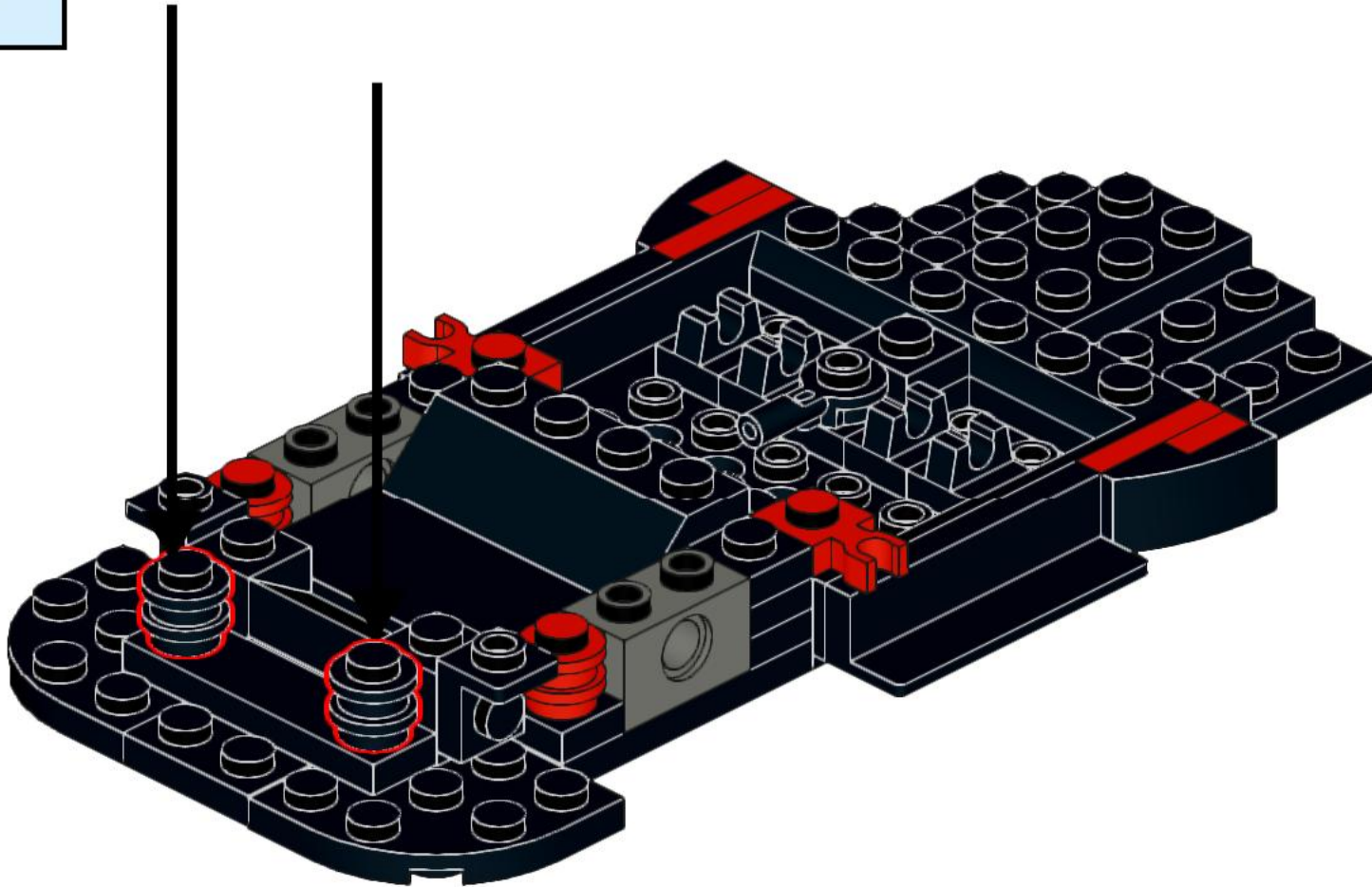
# 17



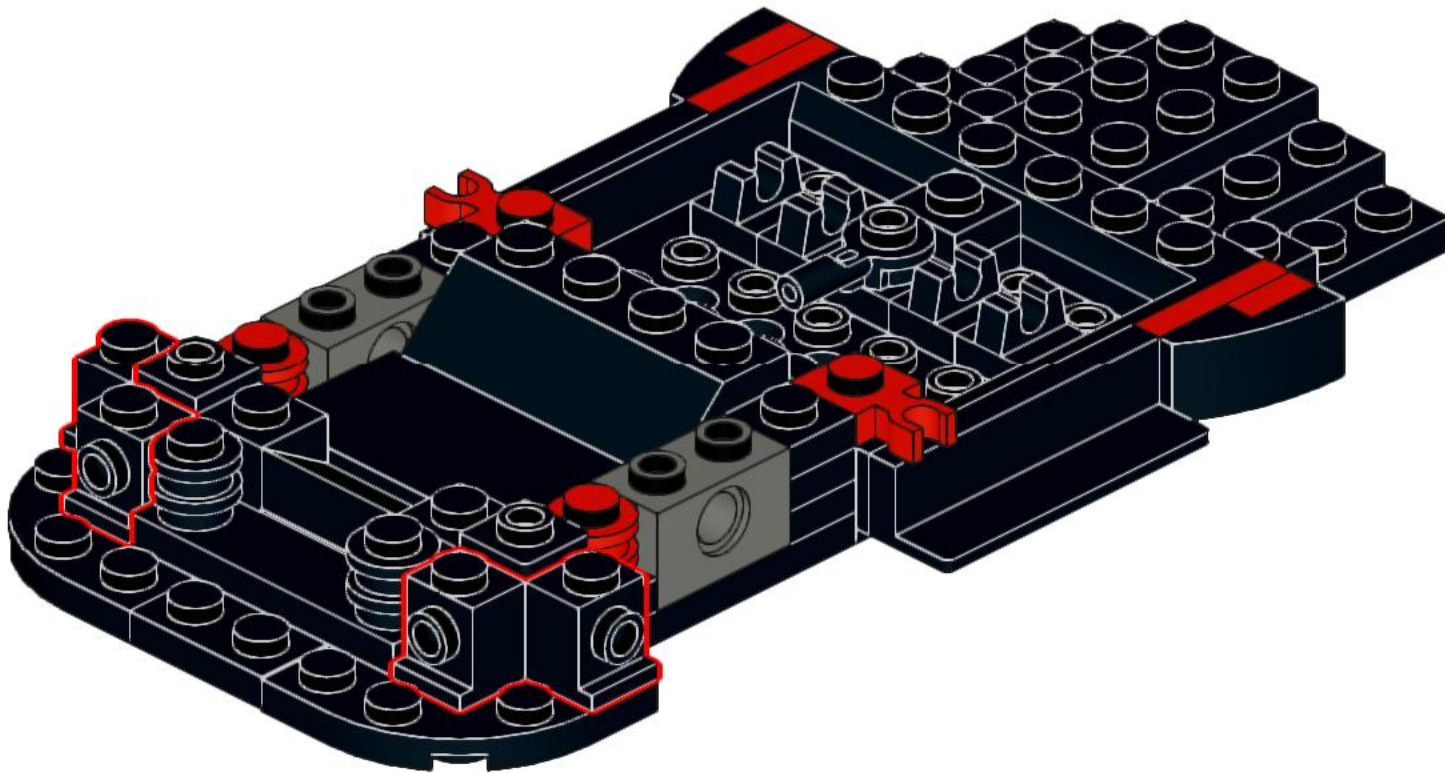
# 18



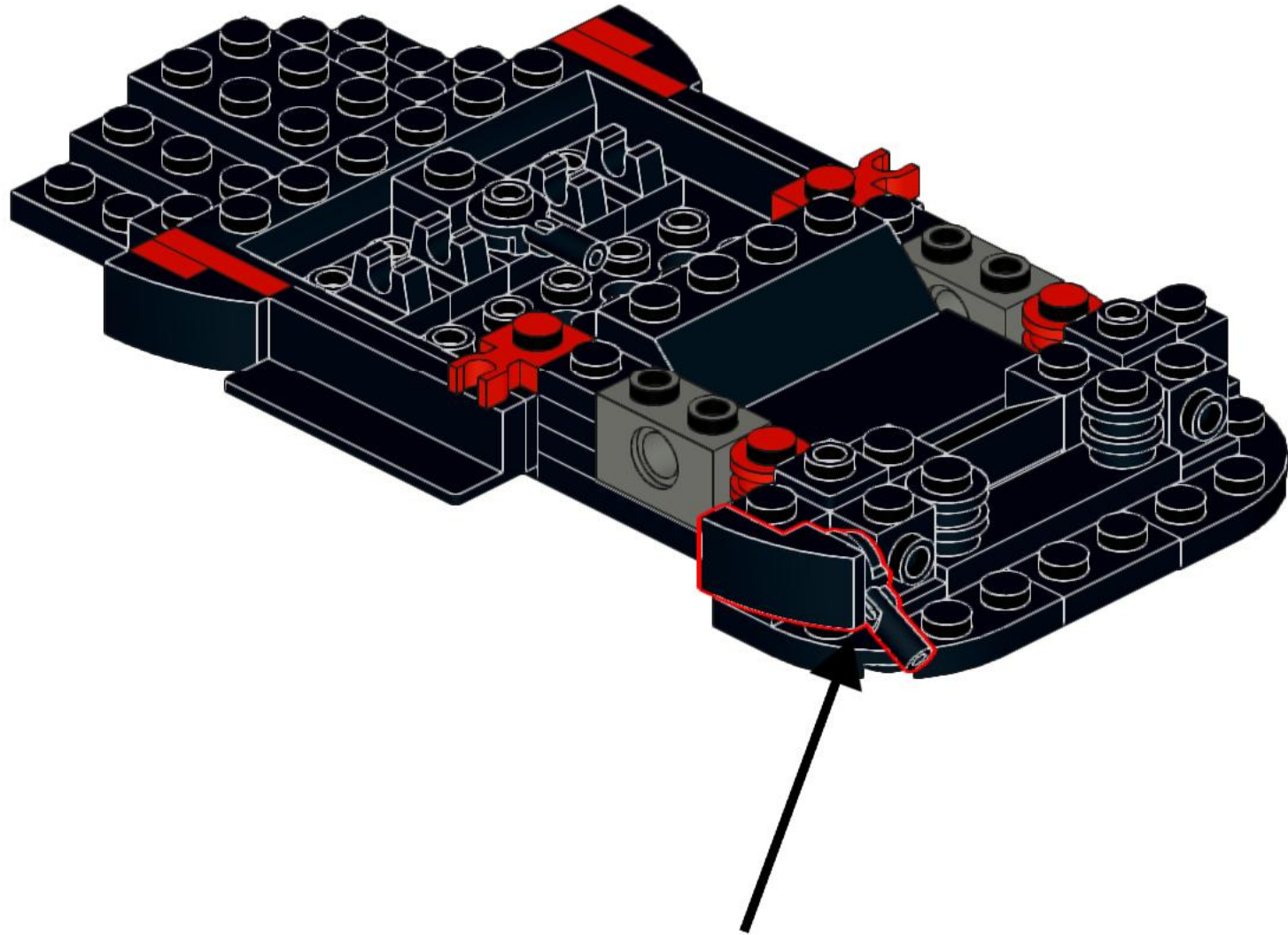
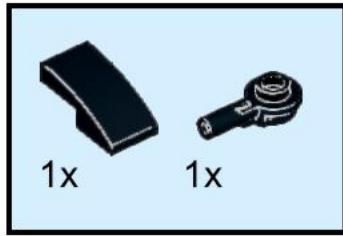
# 19



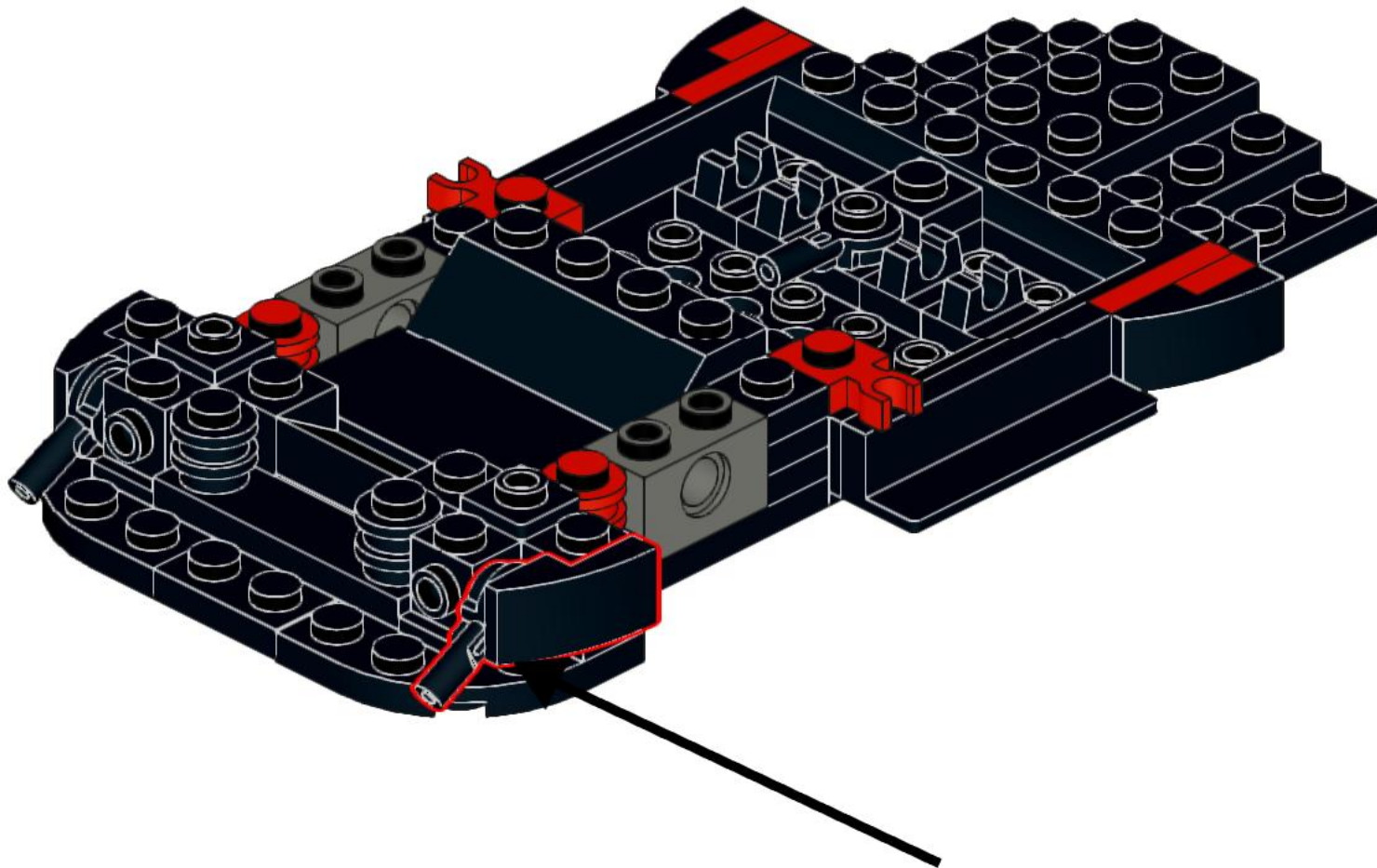
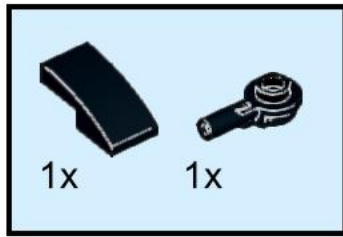
# 20



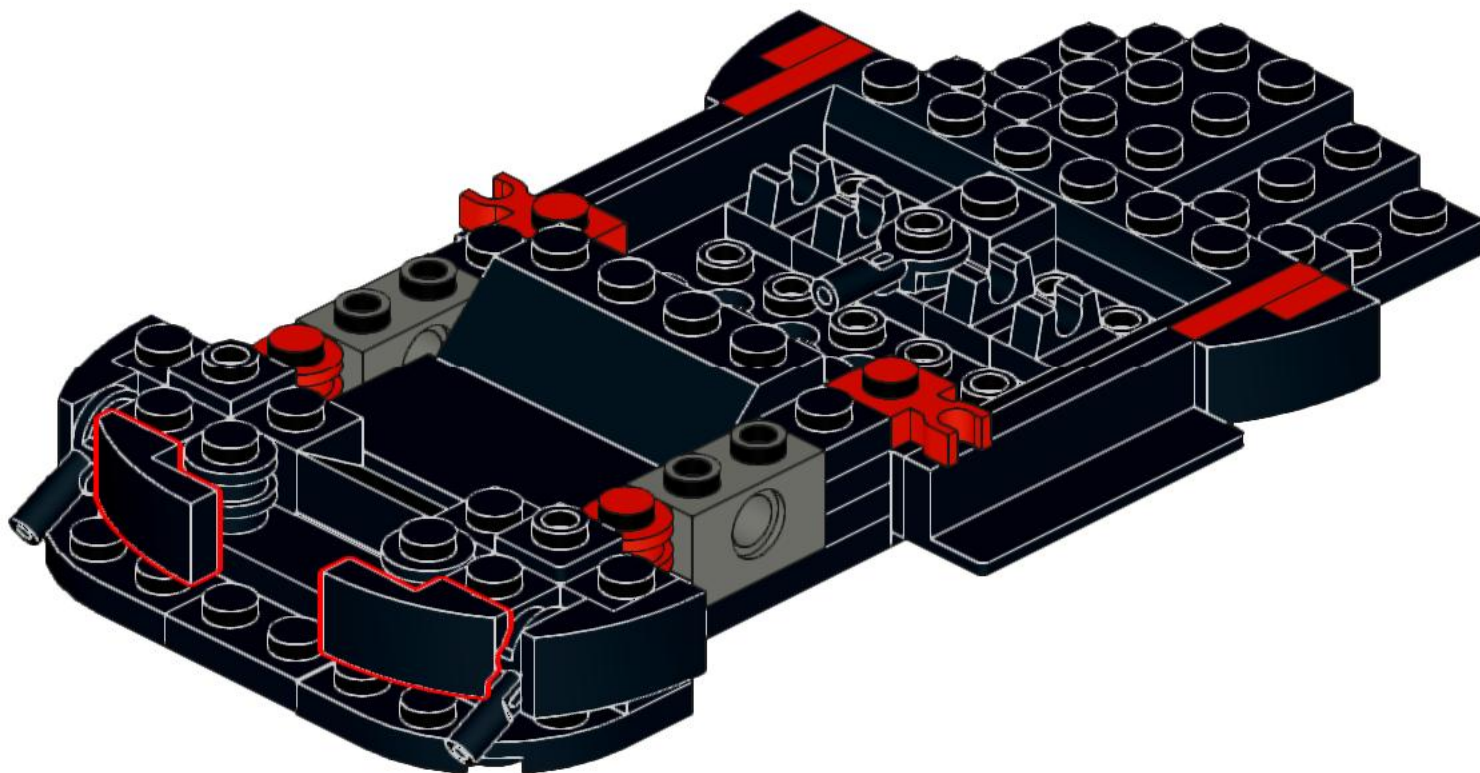
# 21



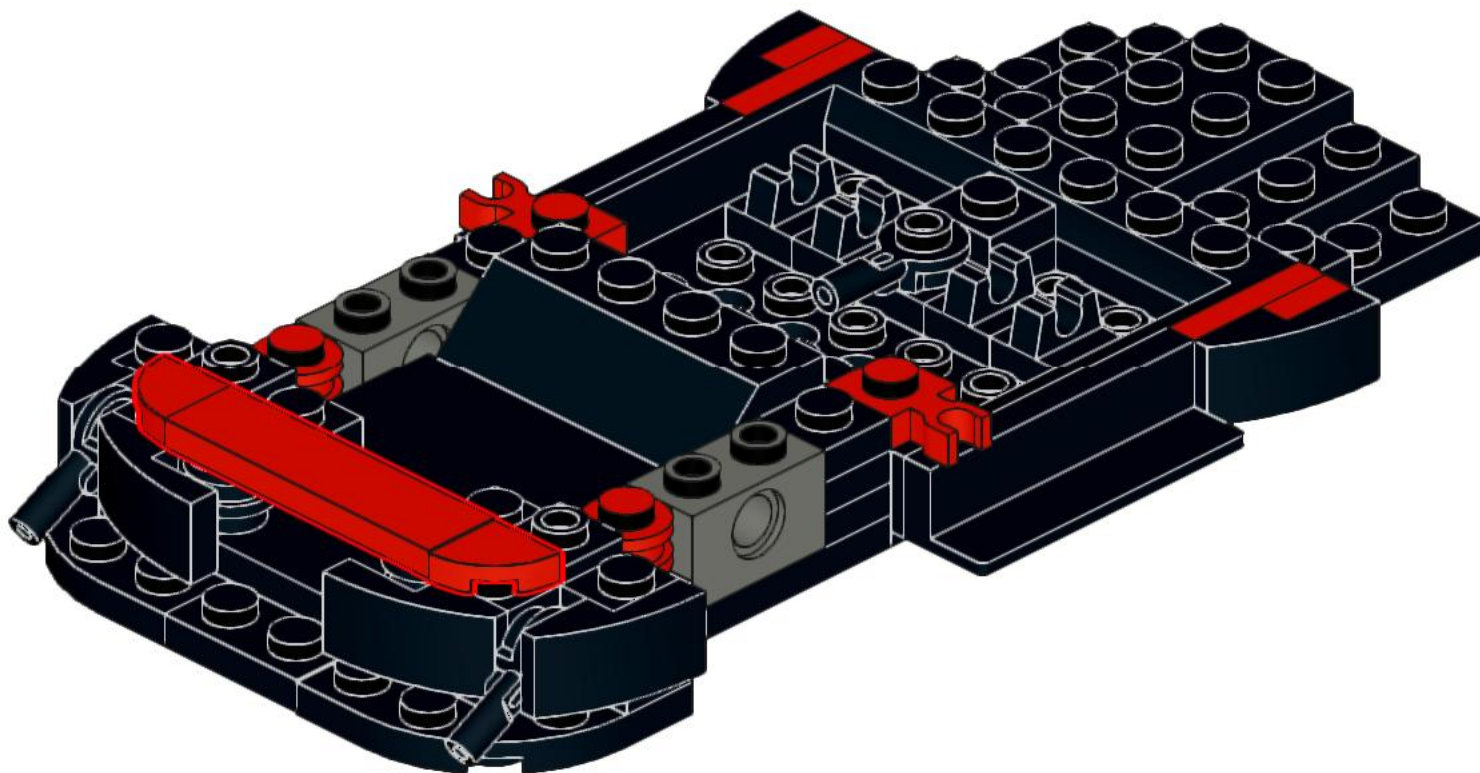
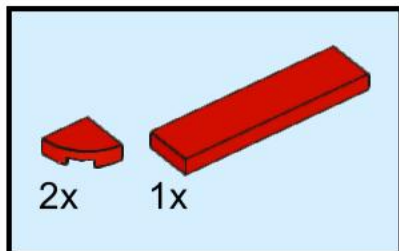
# 22



# 23

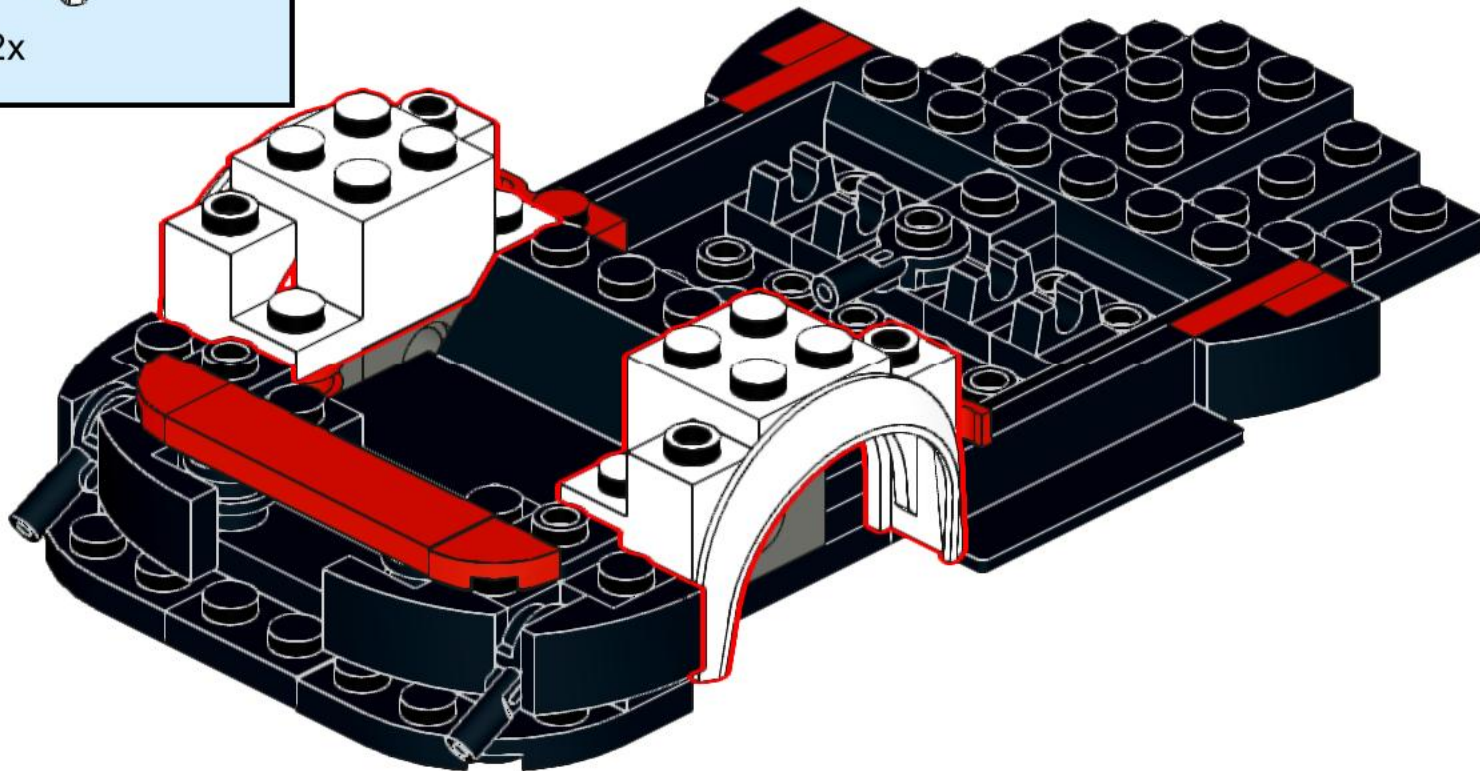
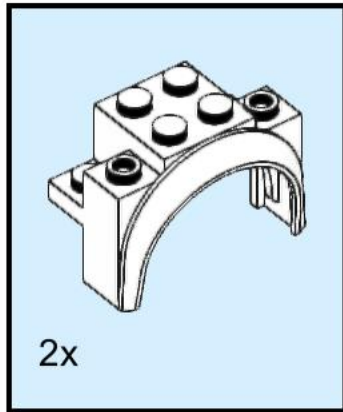


# 24

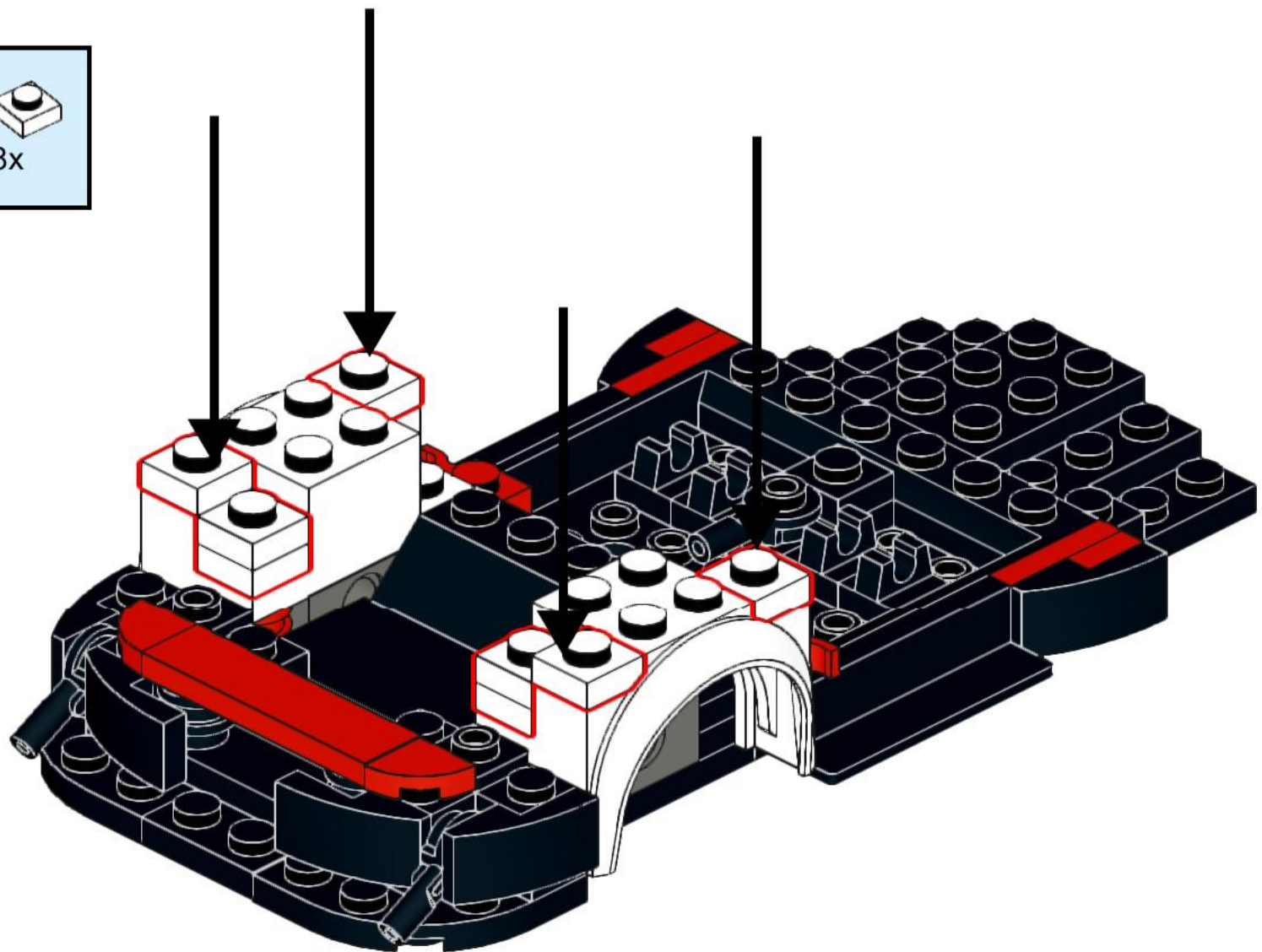
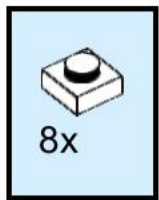




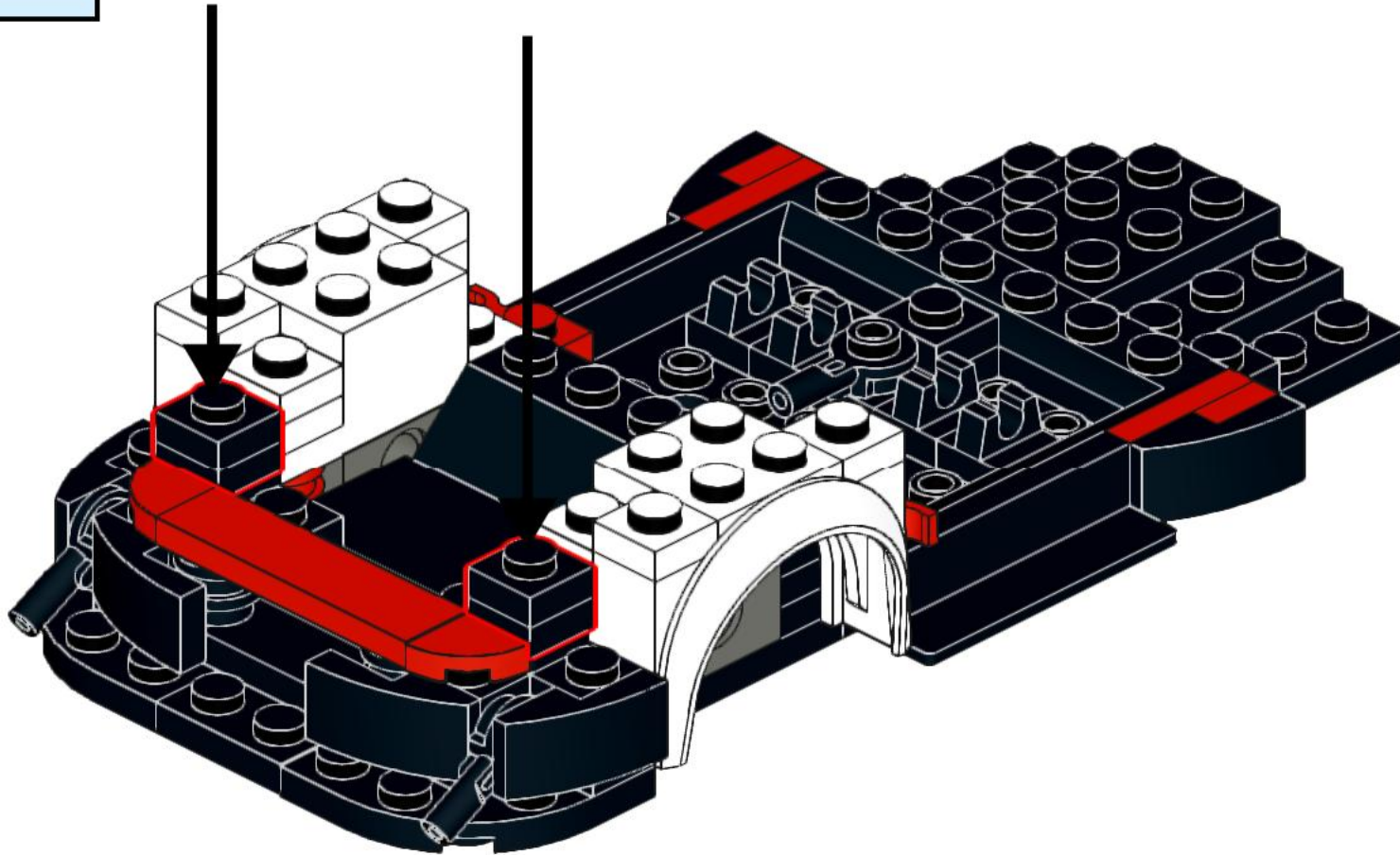
# 25



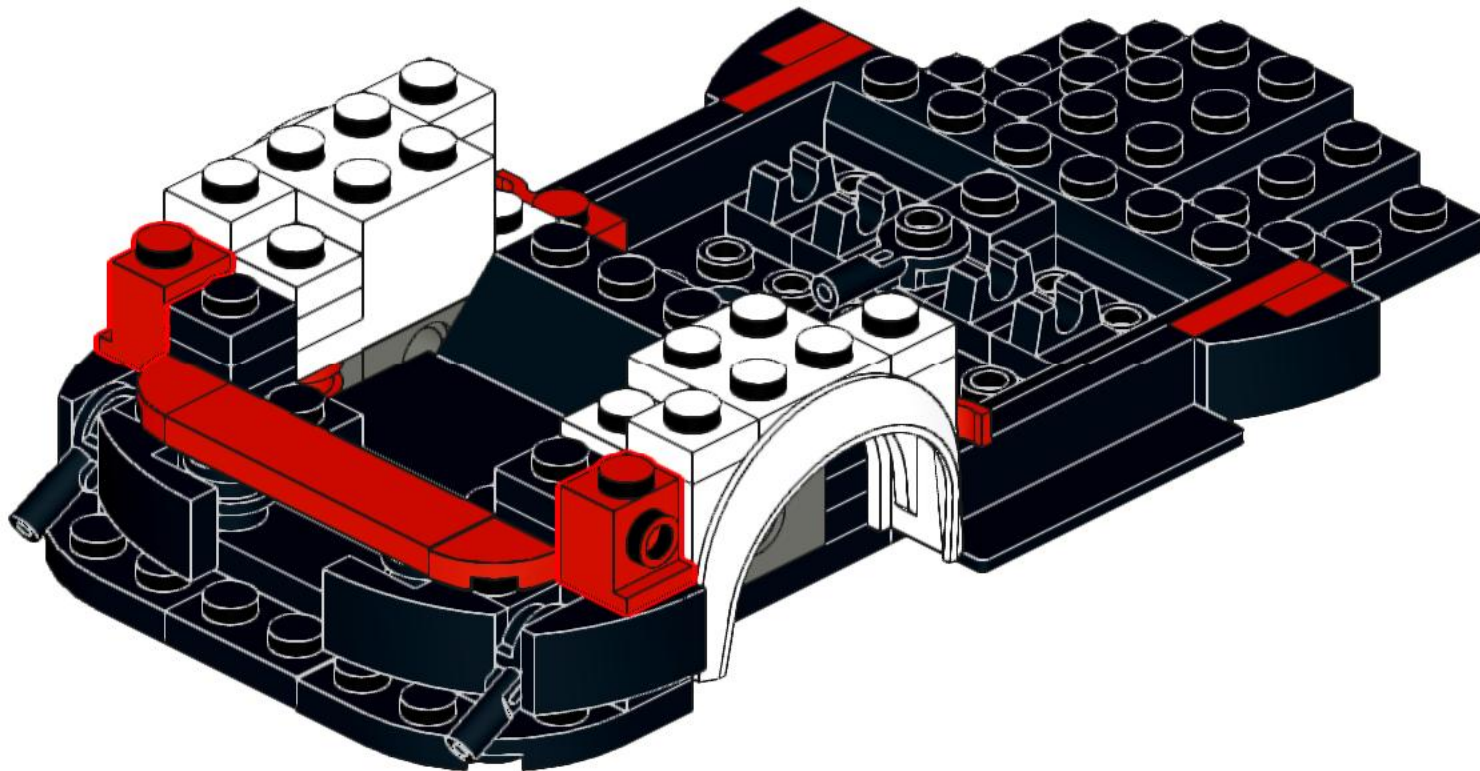
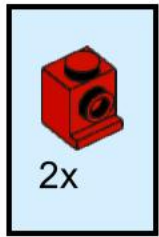
# 26



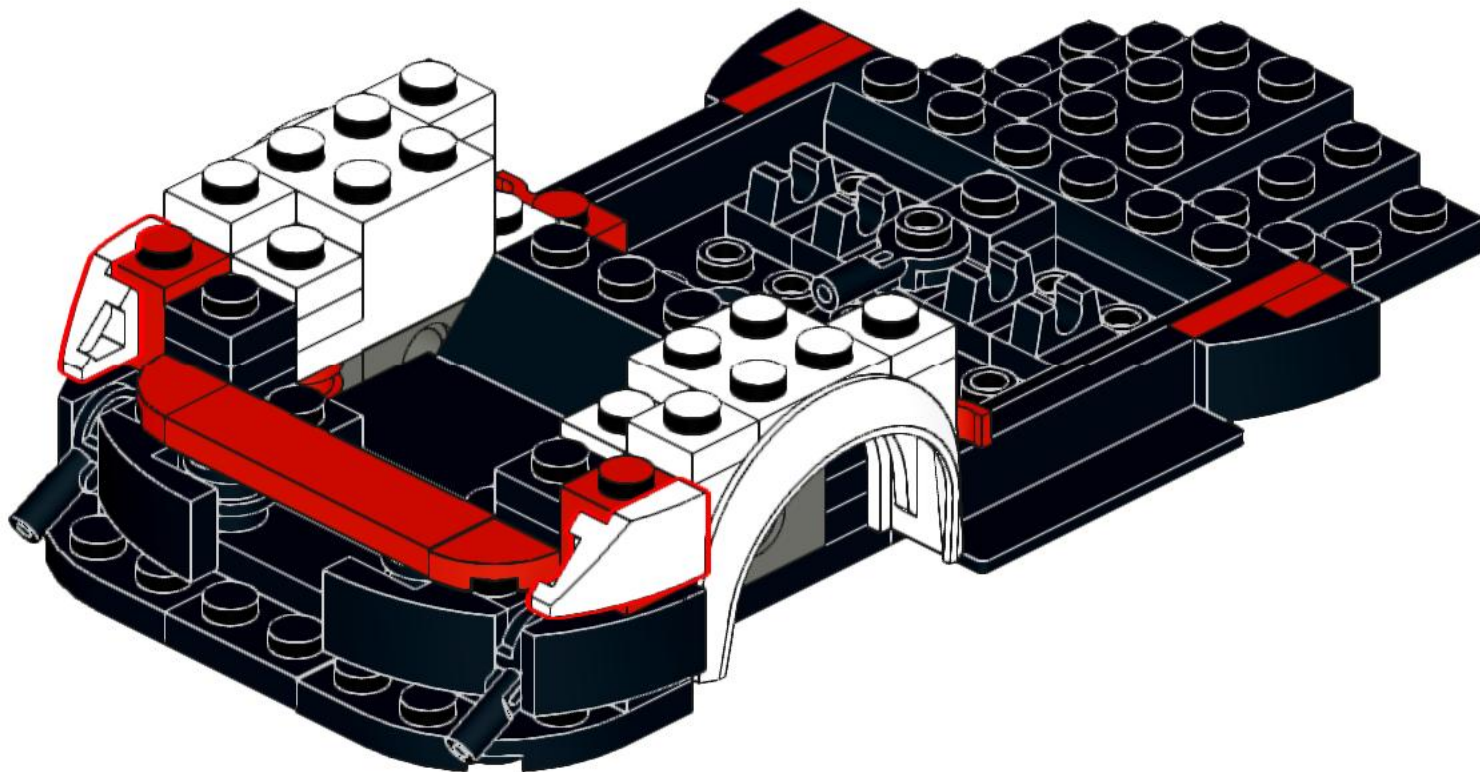
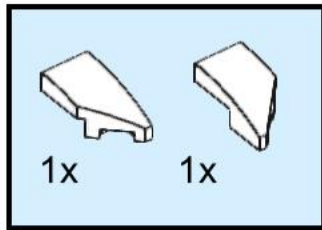
# 27



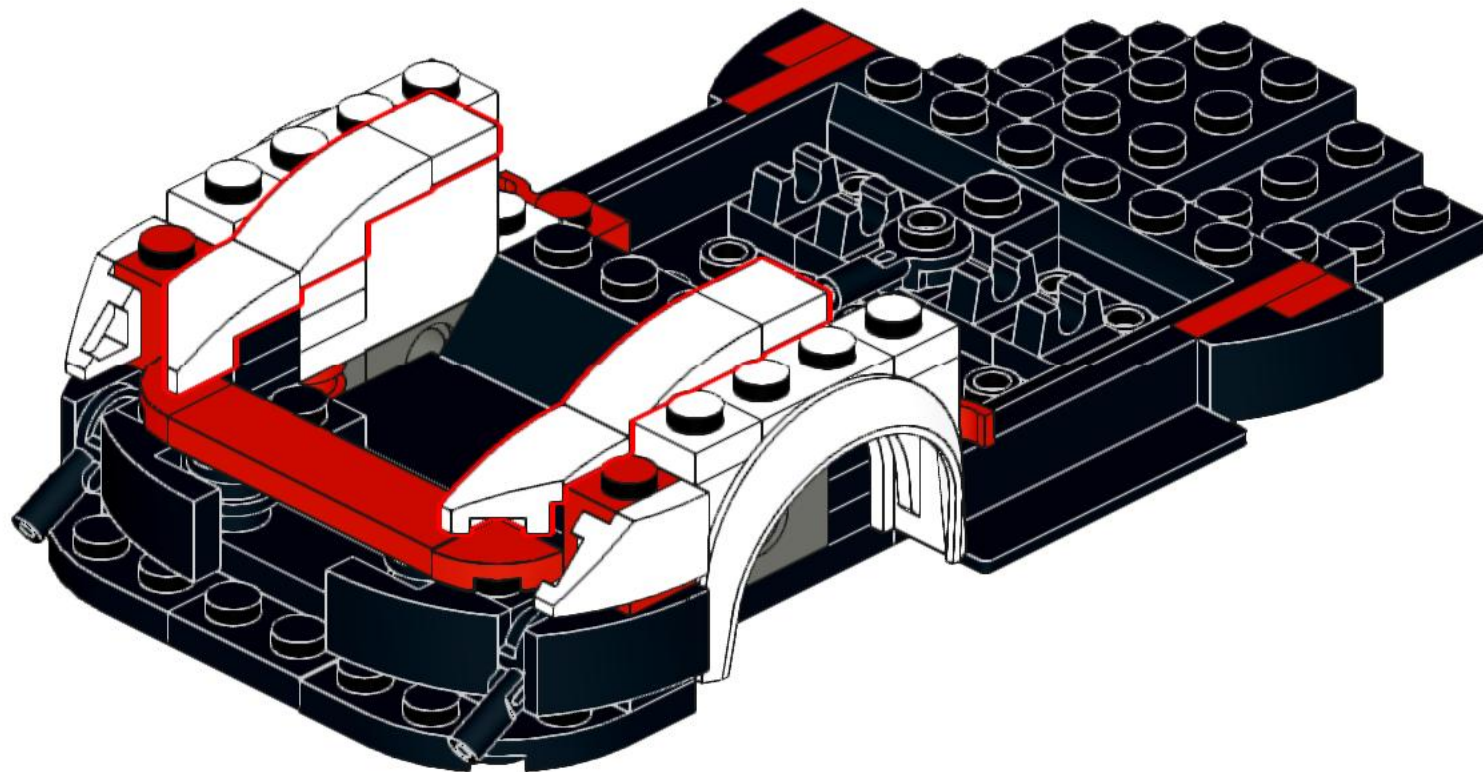
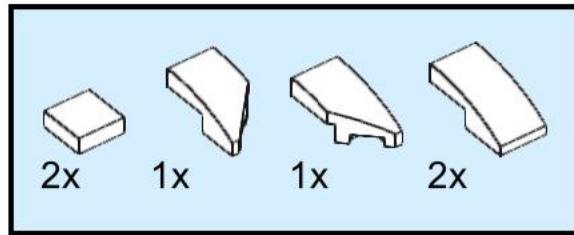
# 28



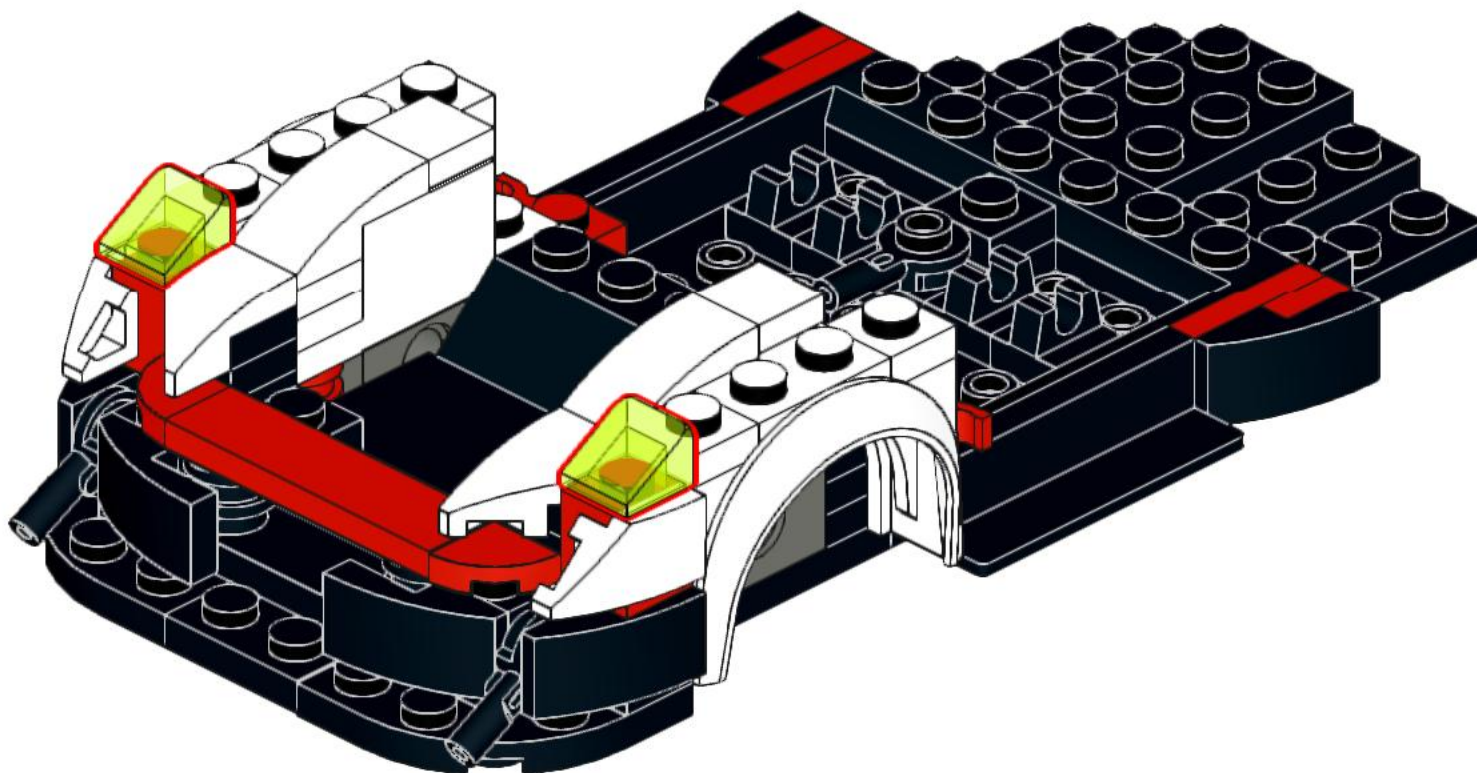
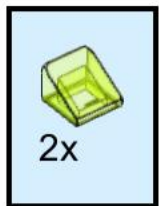
# 29



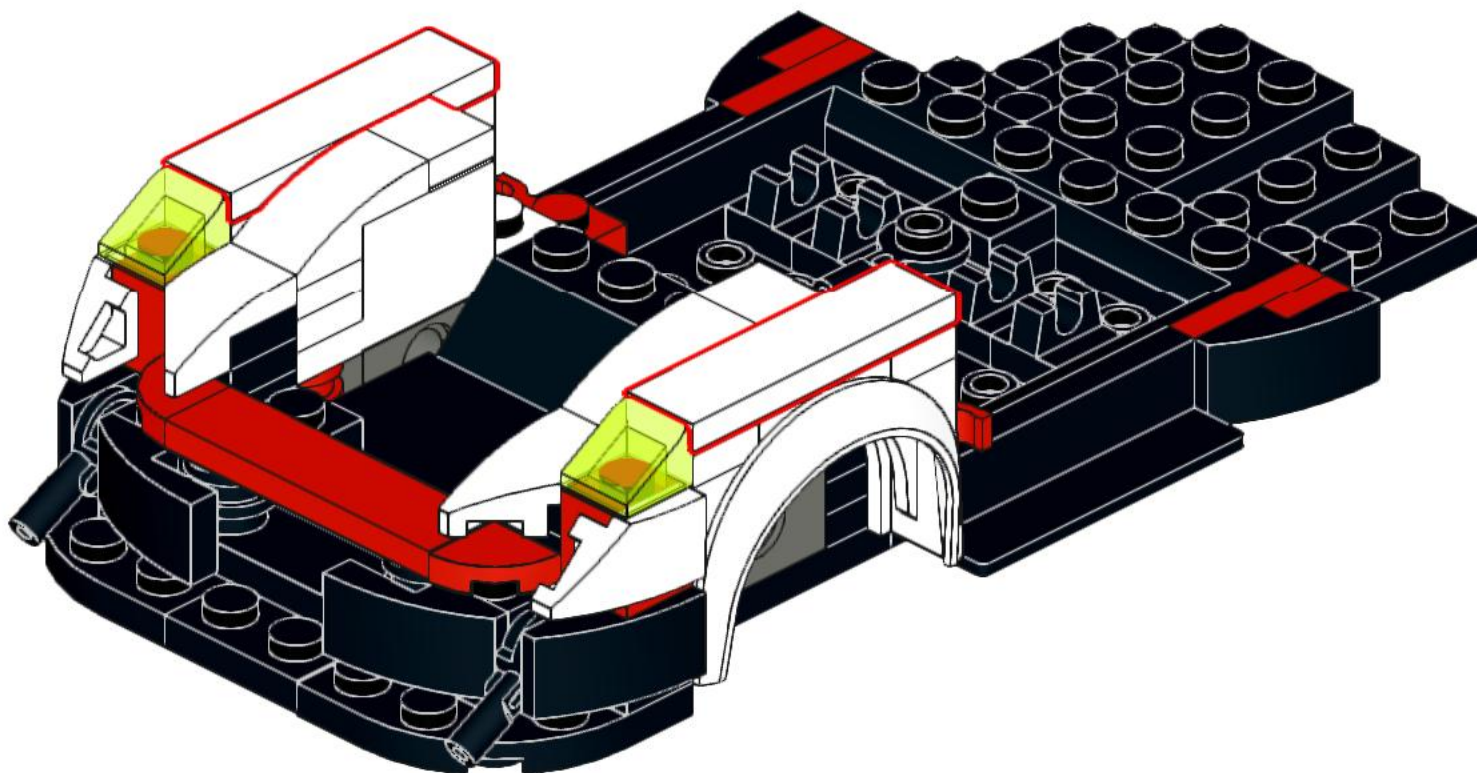
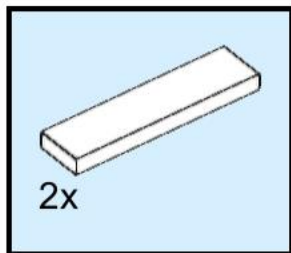
# 30



# 31

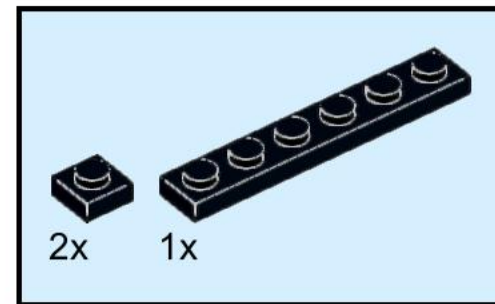
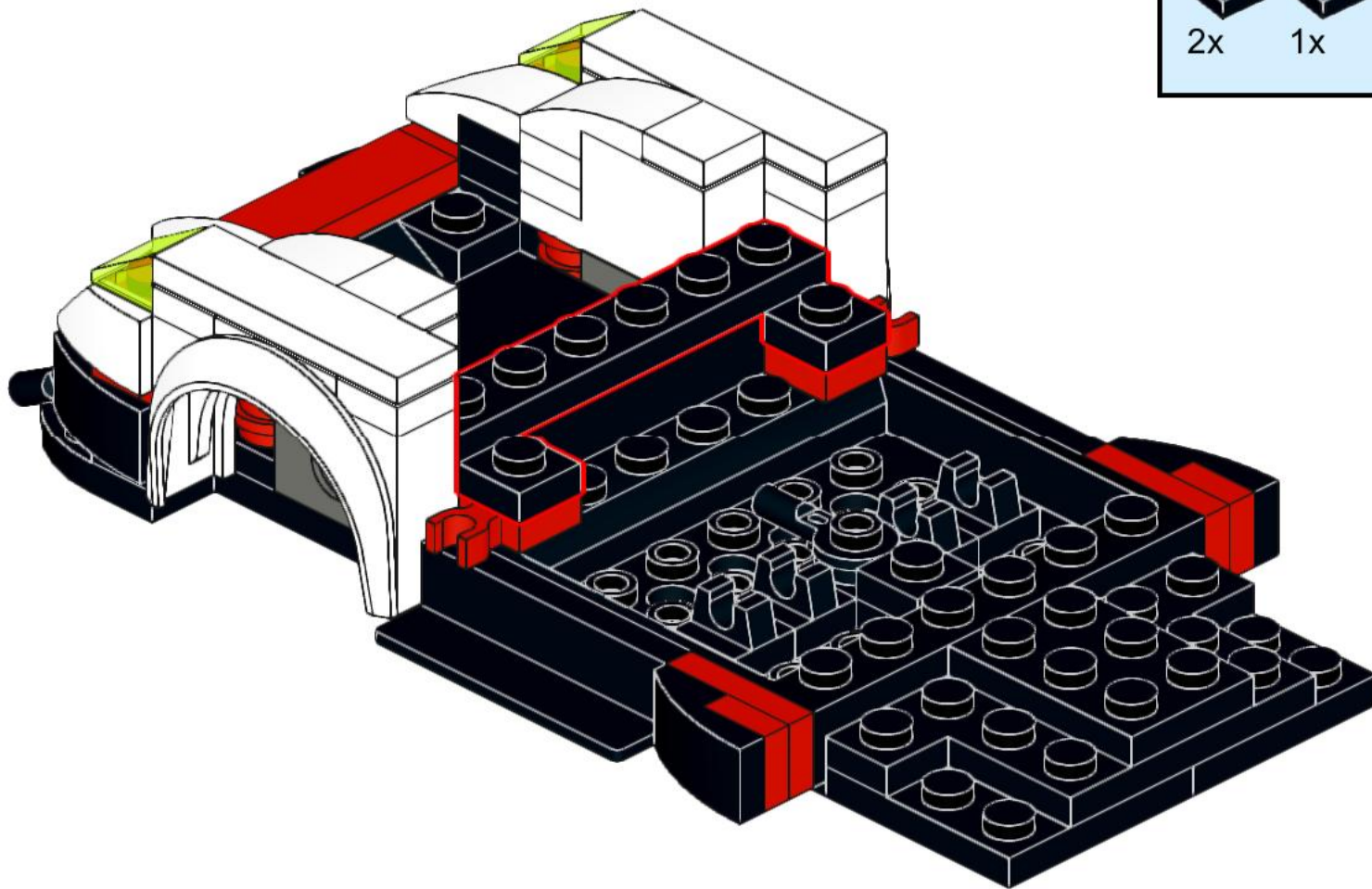


# 32

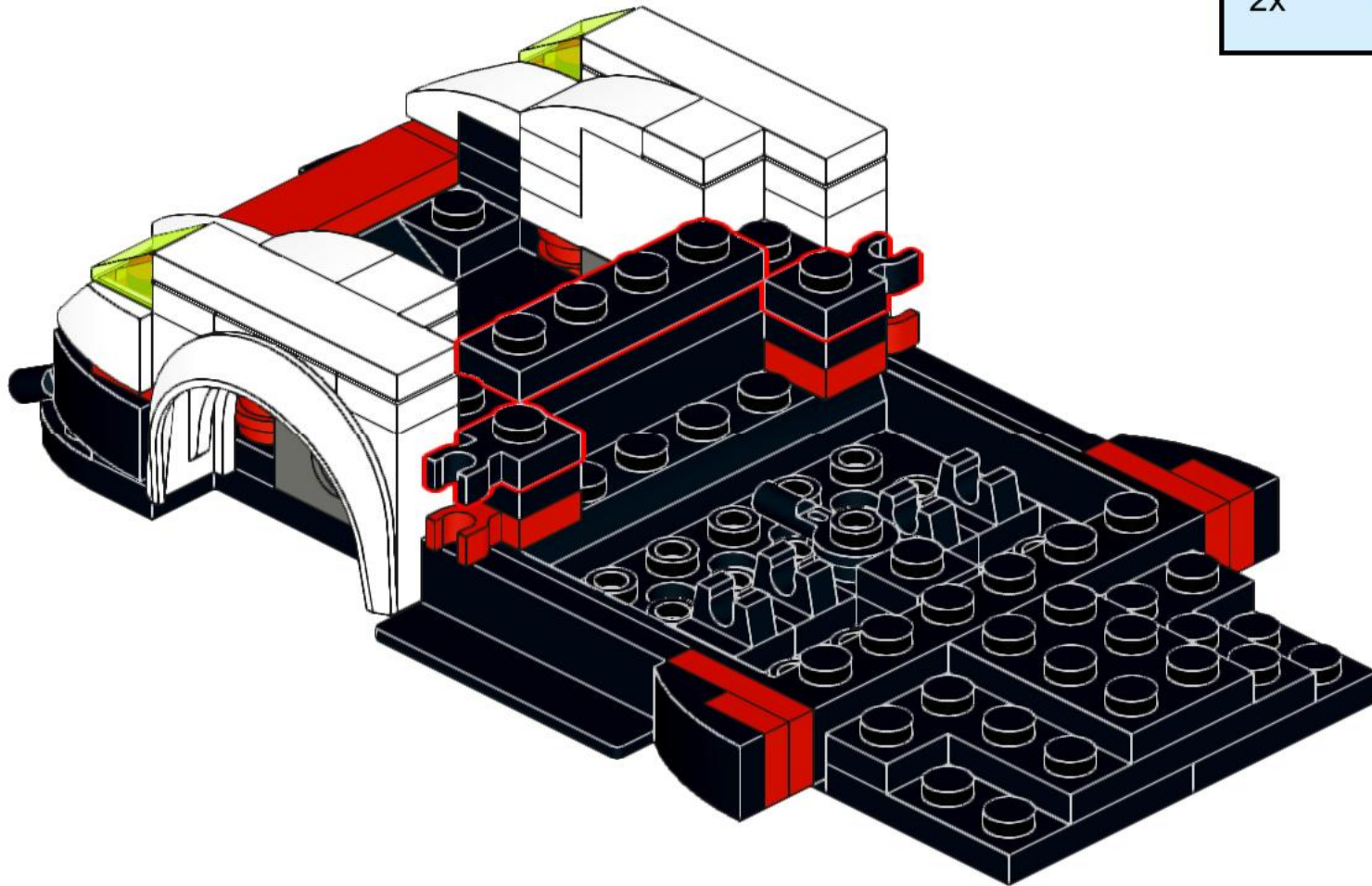
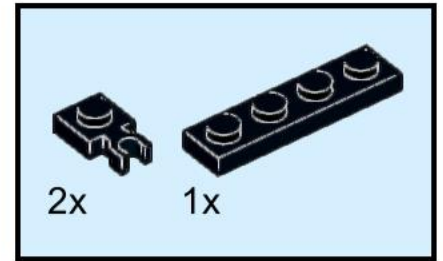




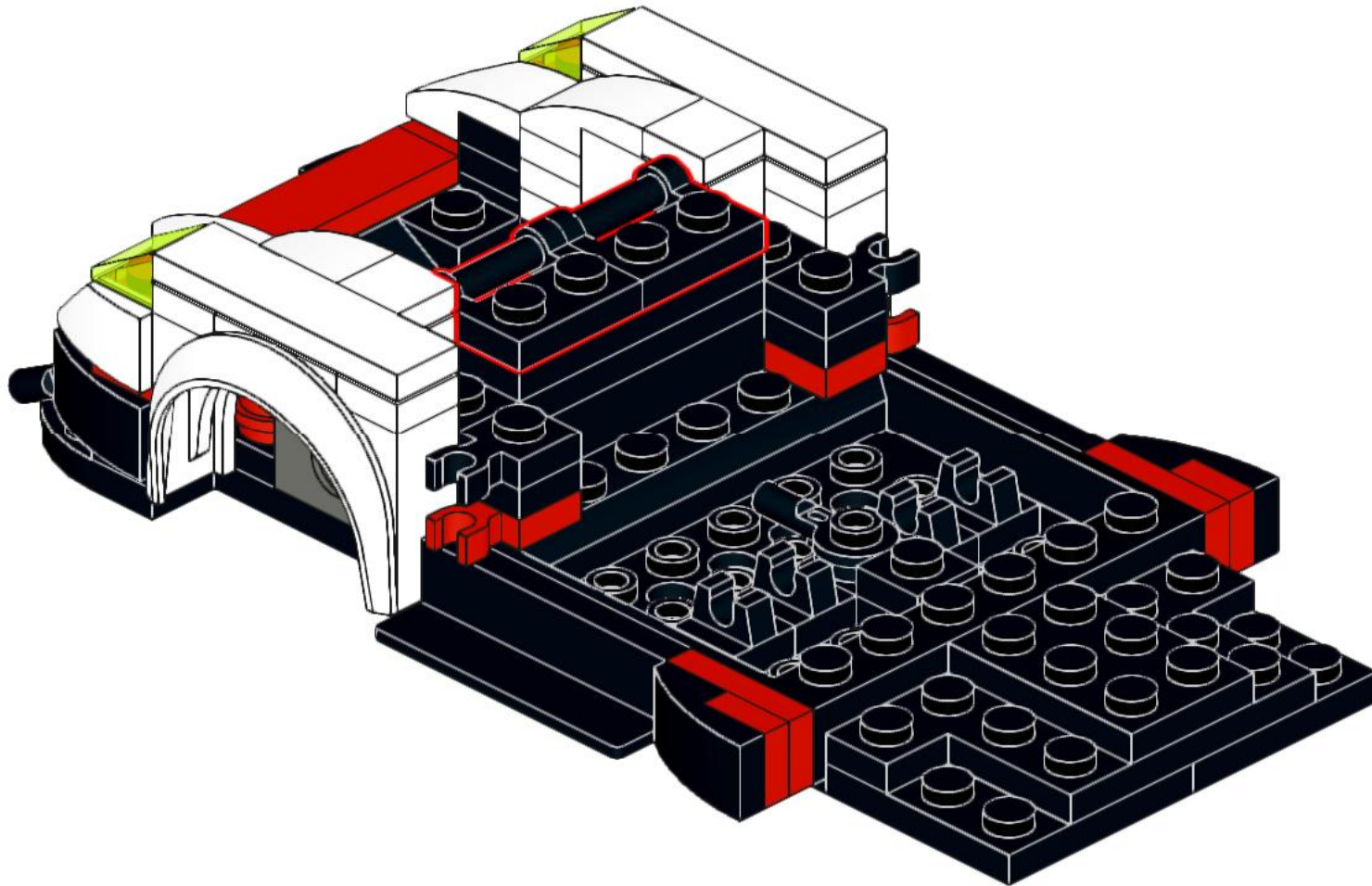
# 33



# 34

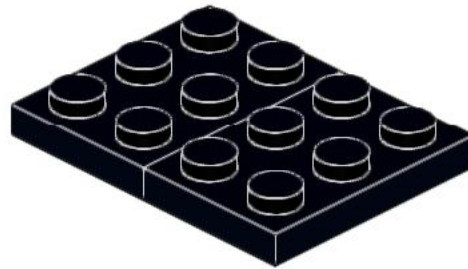
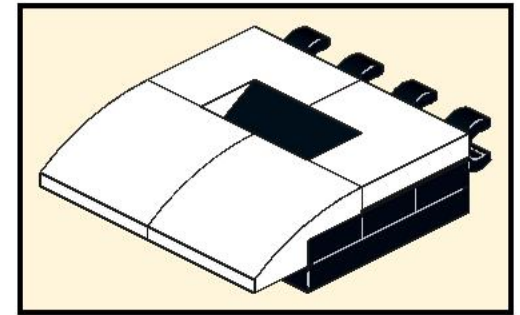
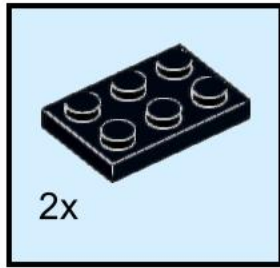


# 35

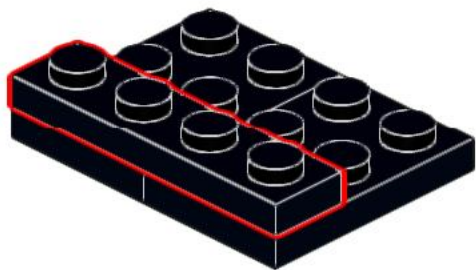
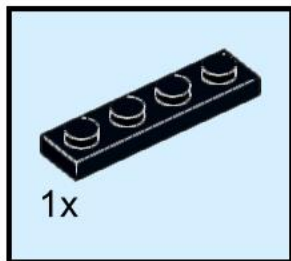


2x

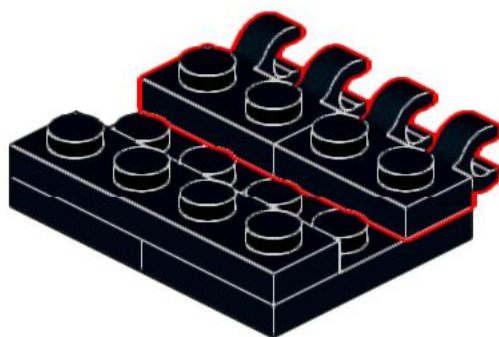
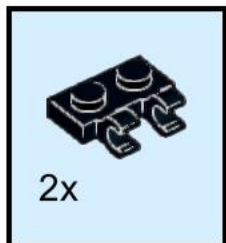
36



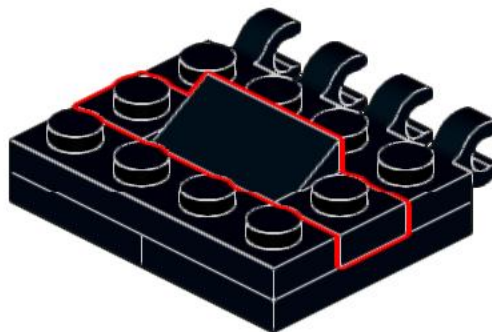
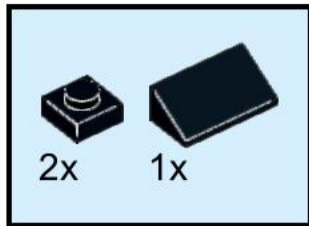
37



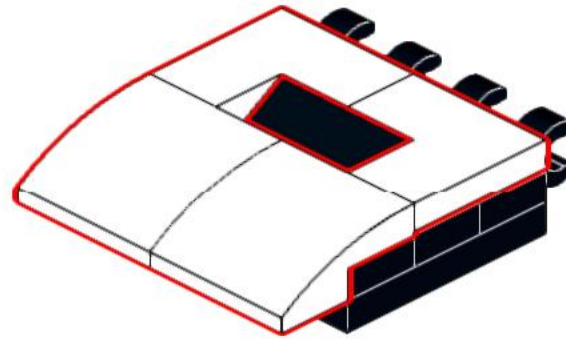
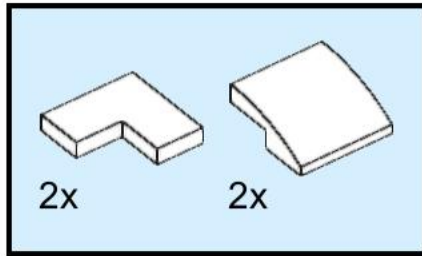
38



# 39

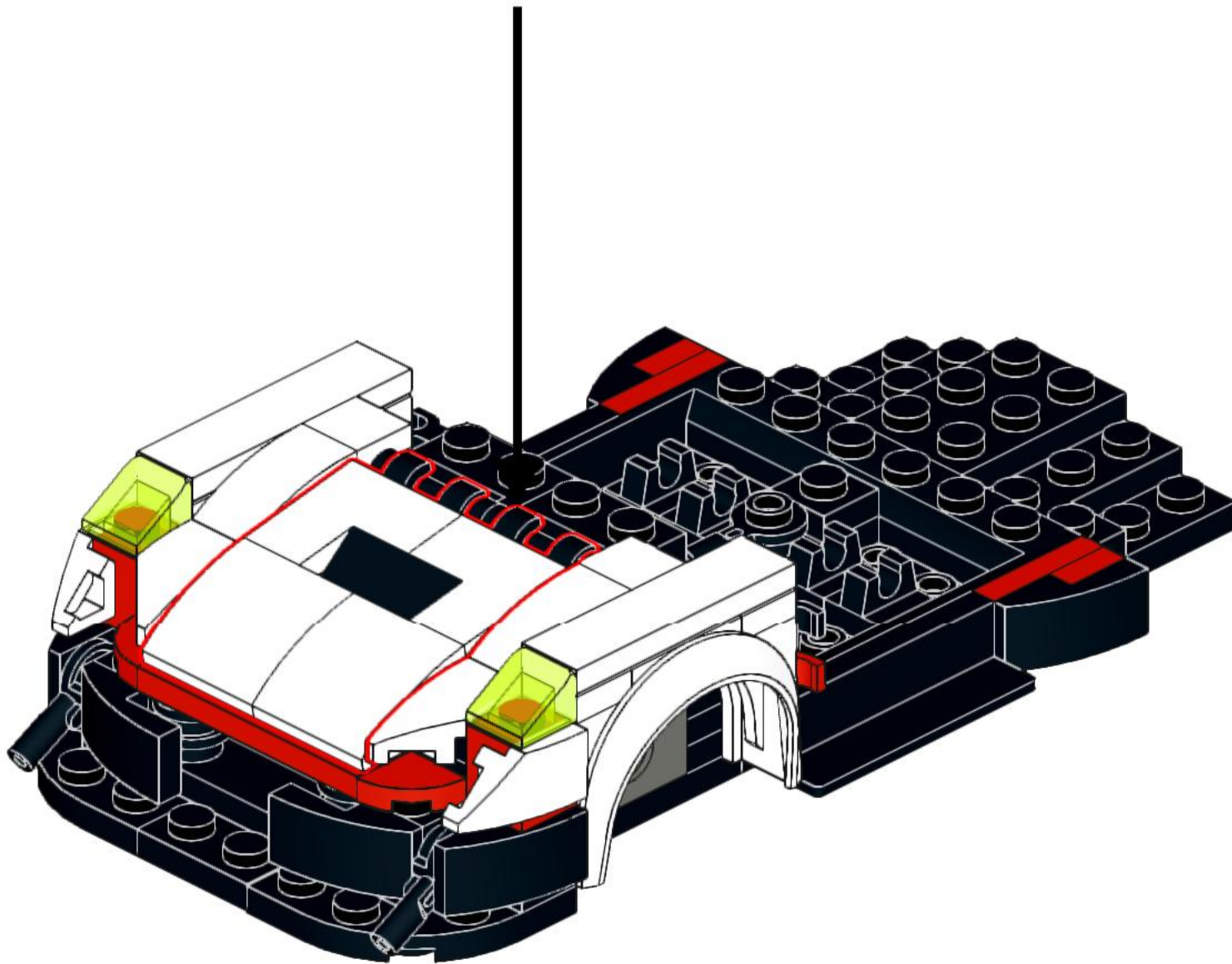


# 40

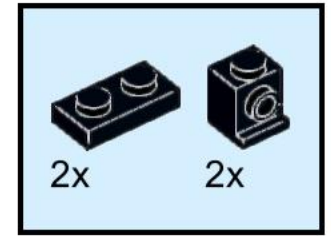
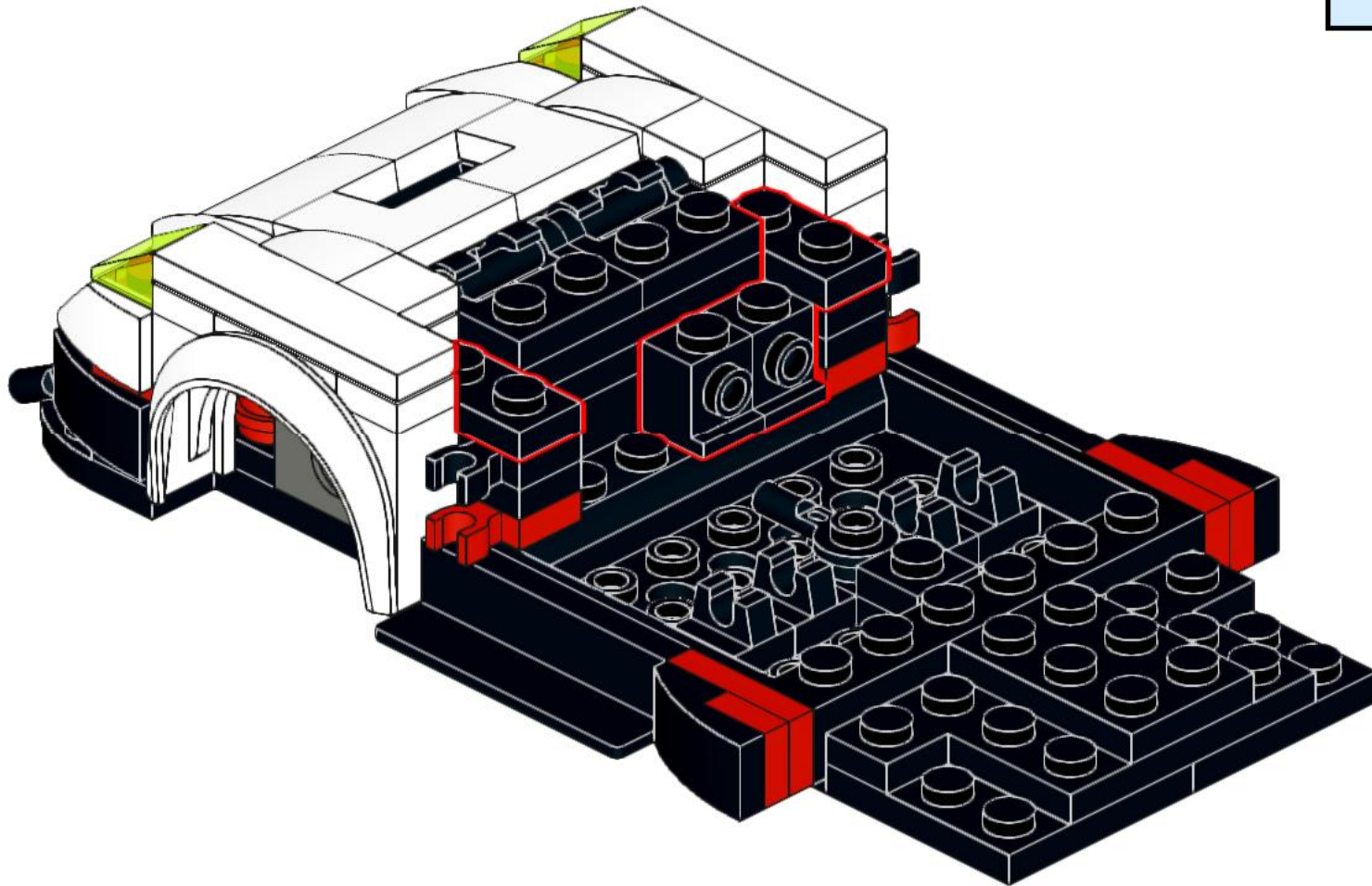




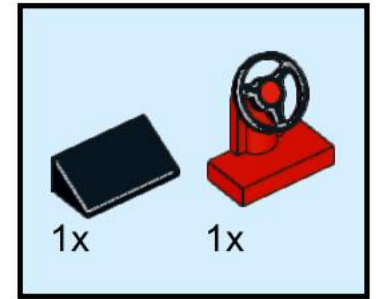
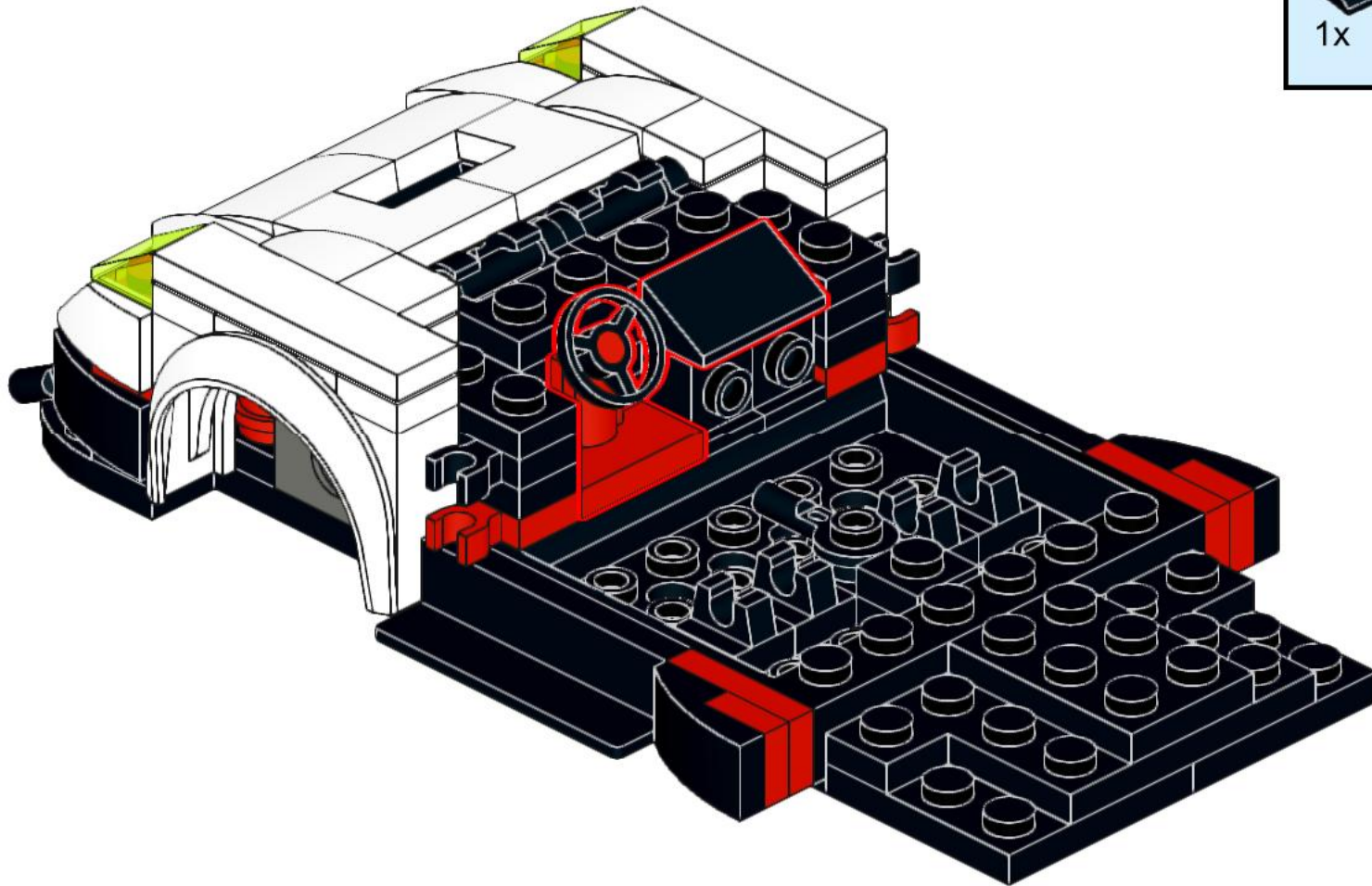
41



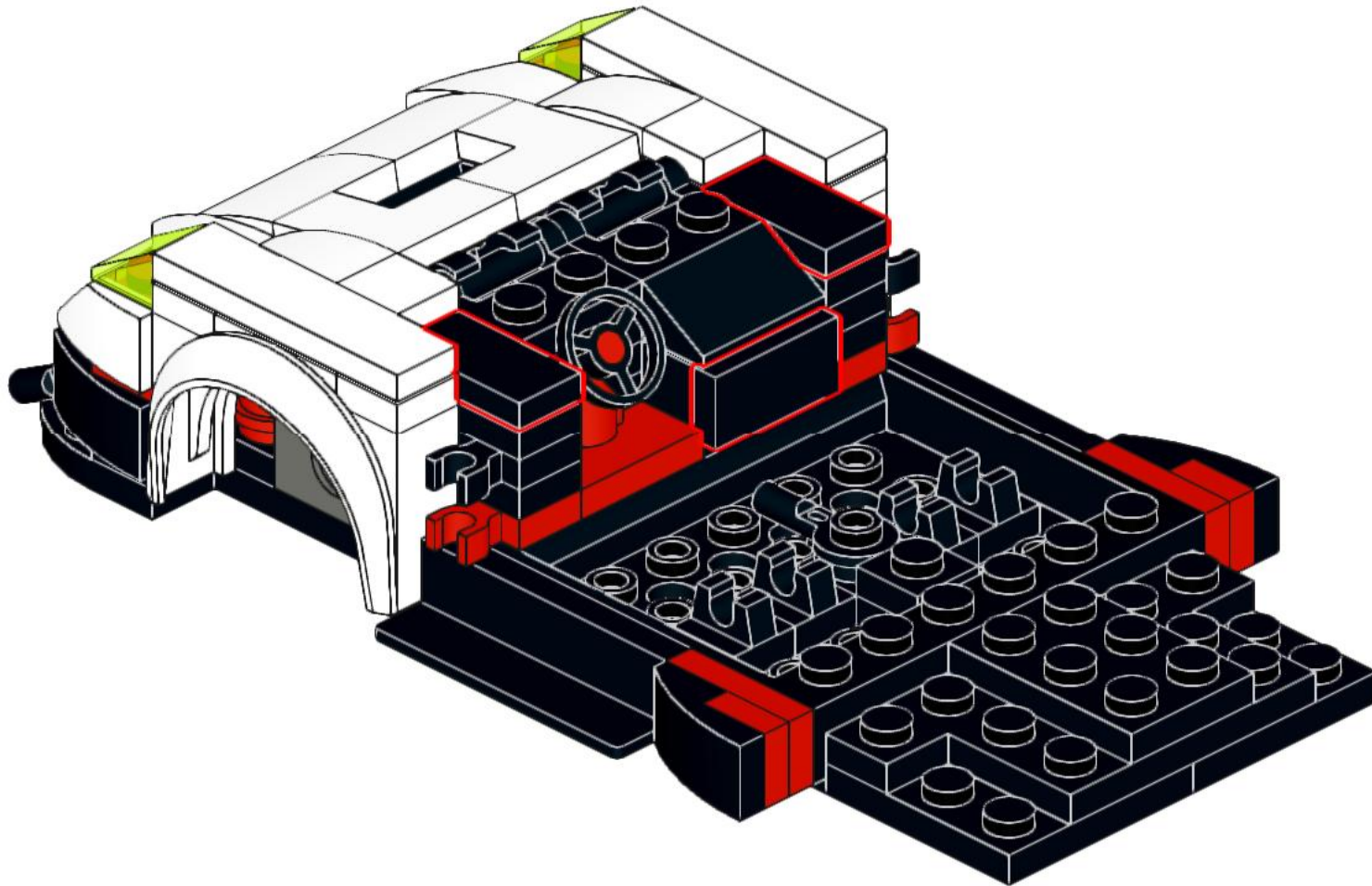
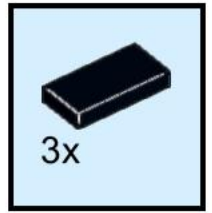
# 42



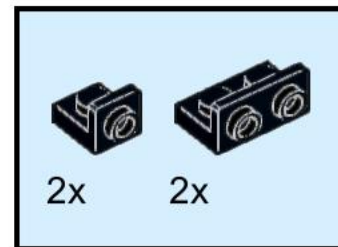
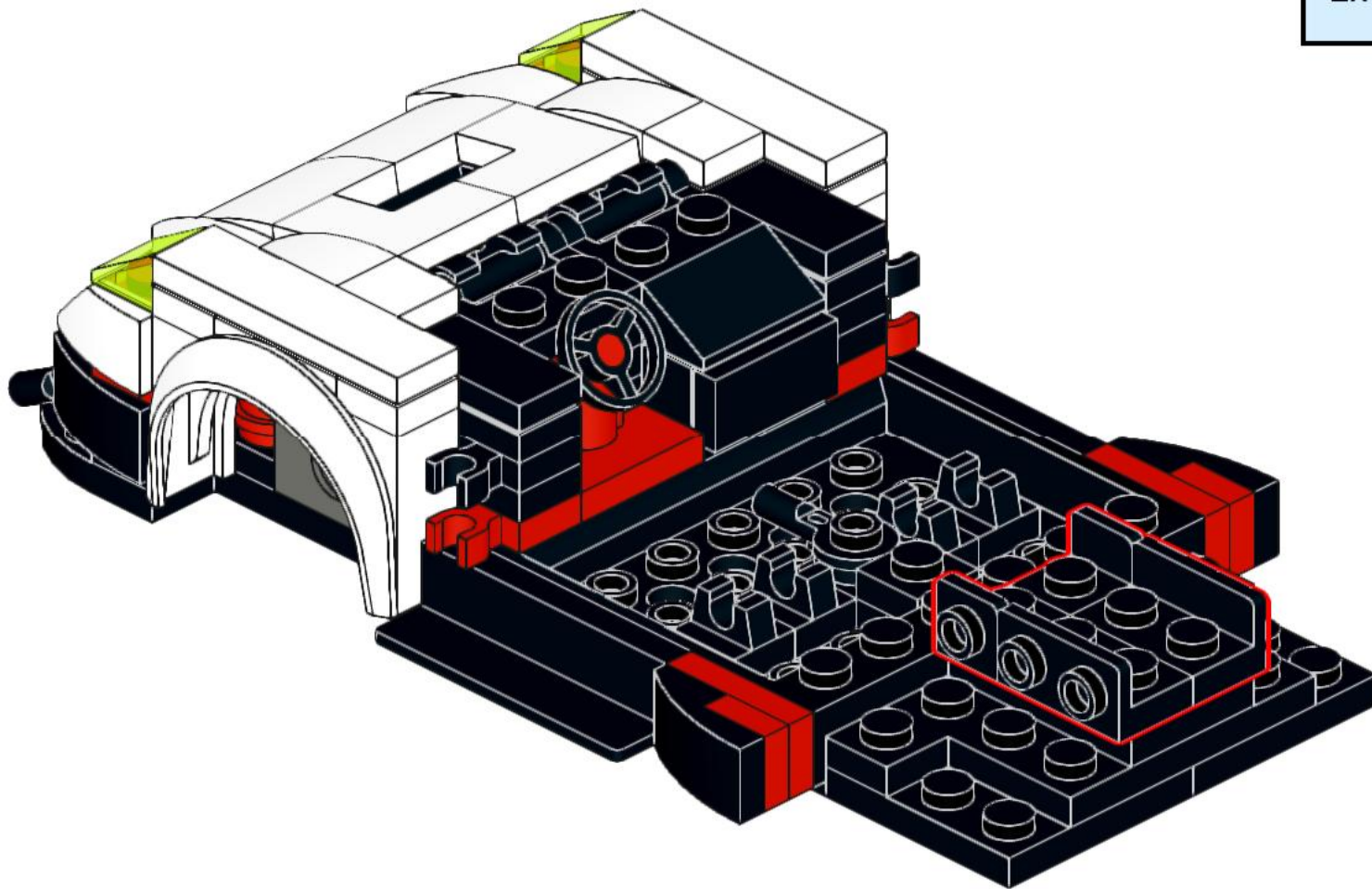
# 43



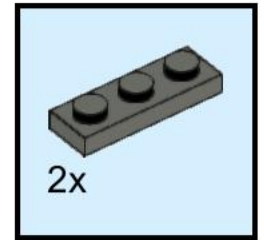
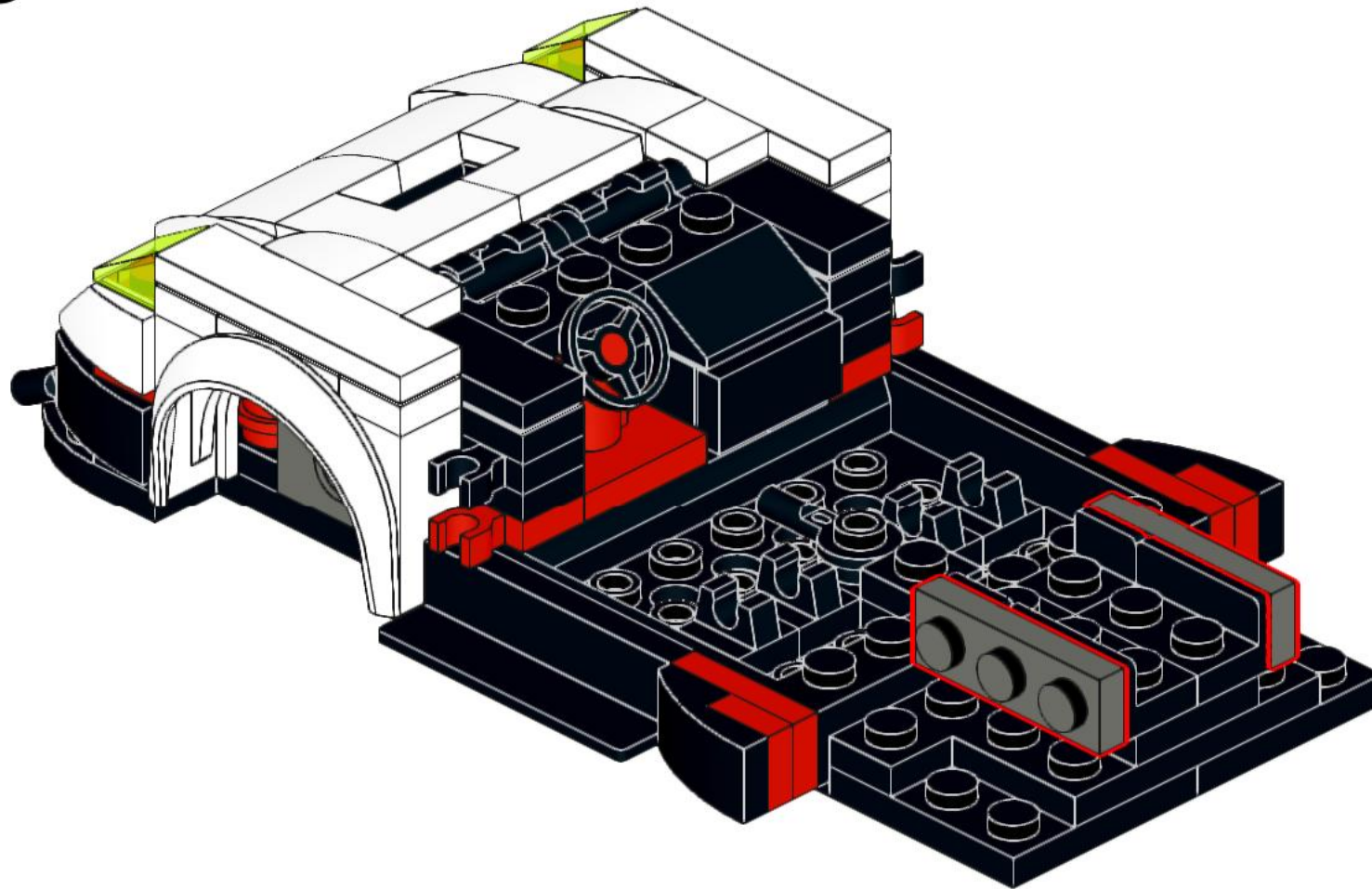
44



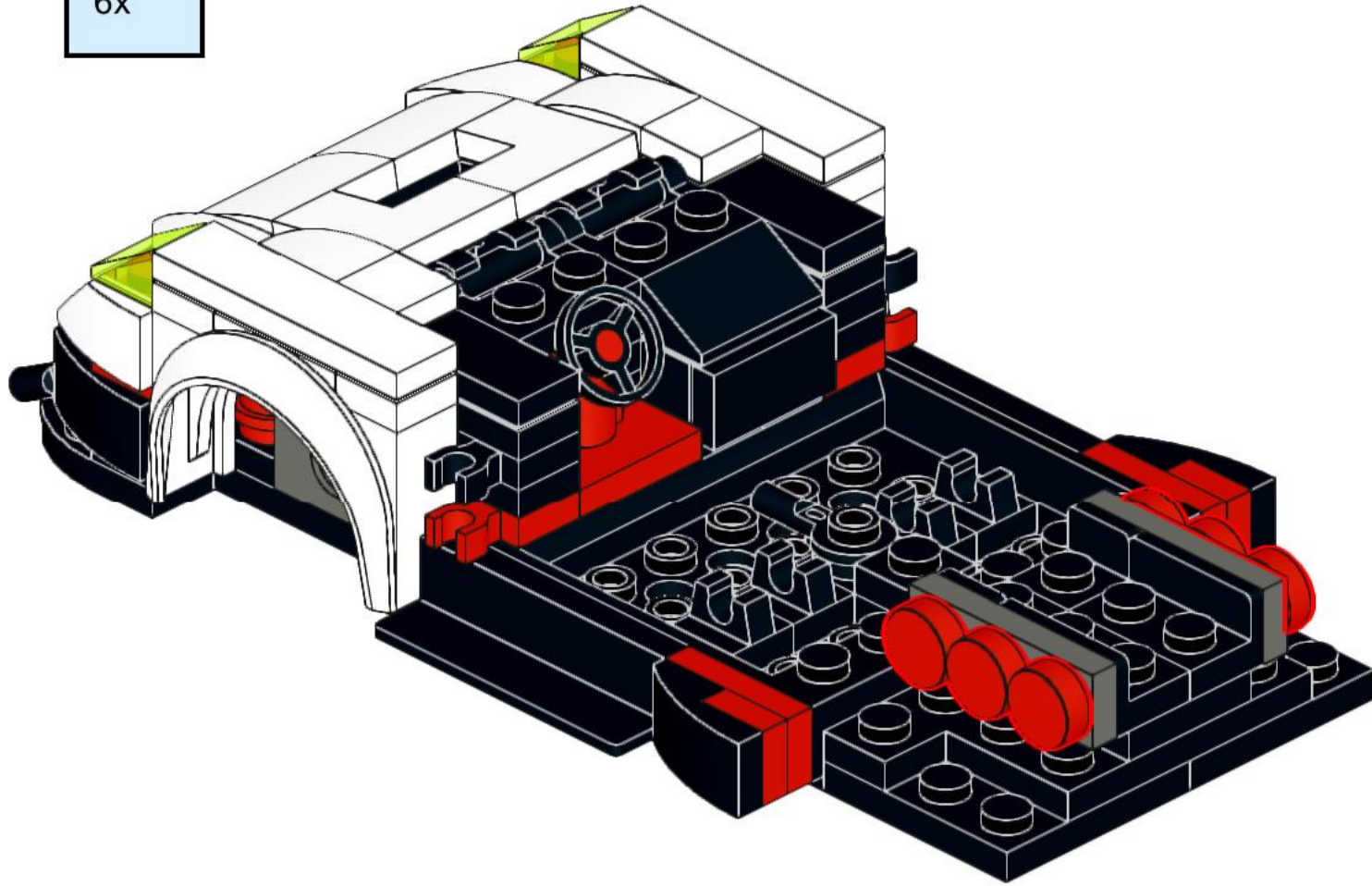
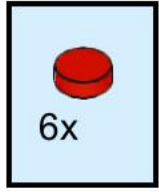
# 45



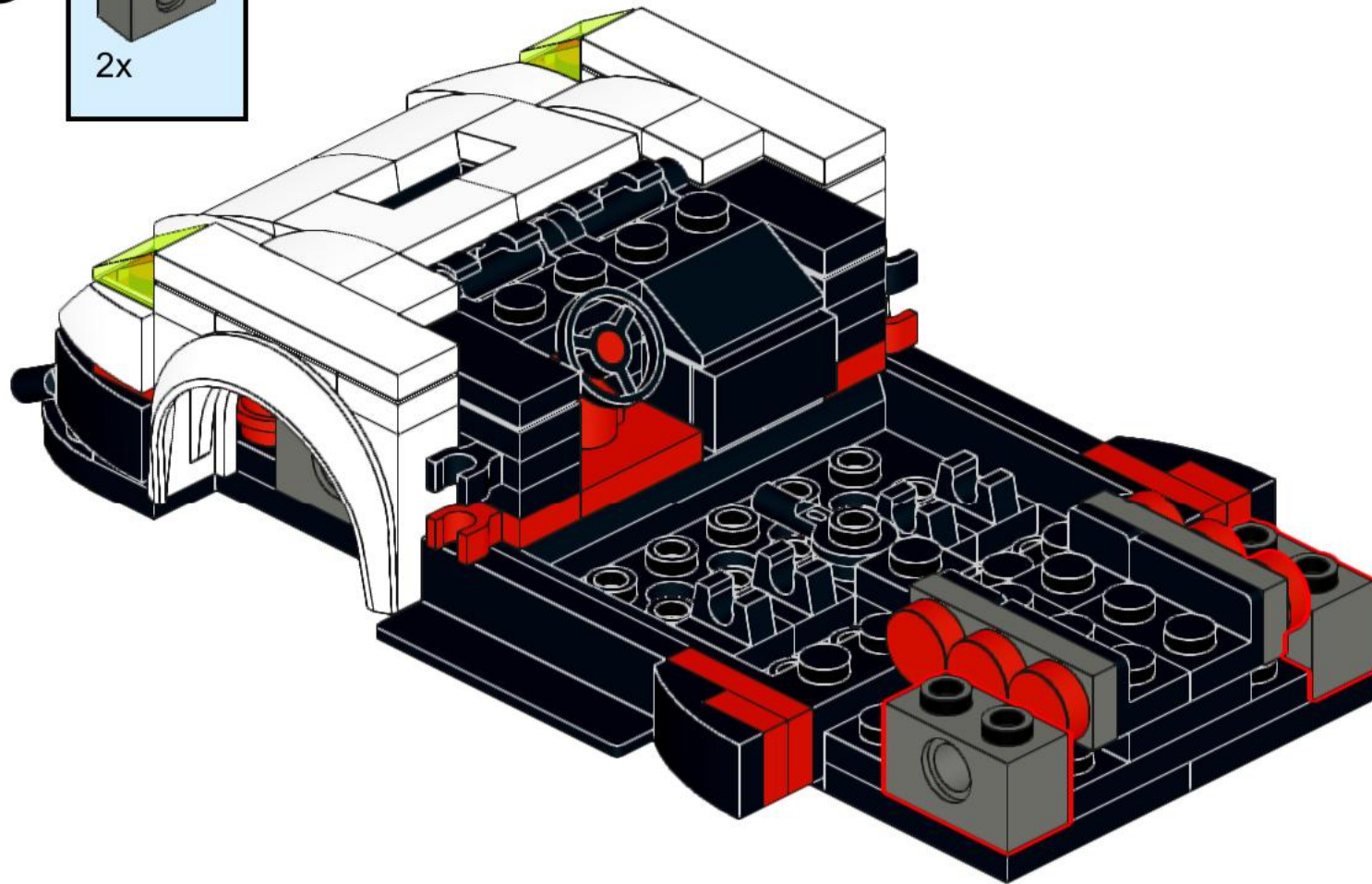
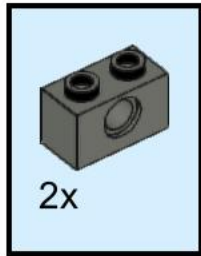
# 46



47

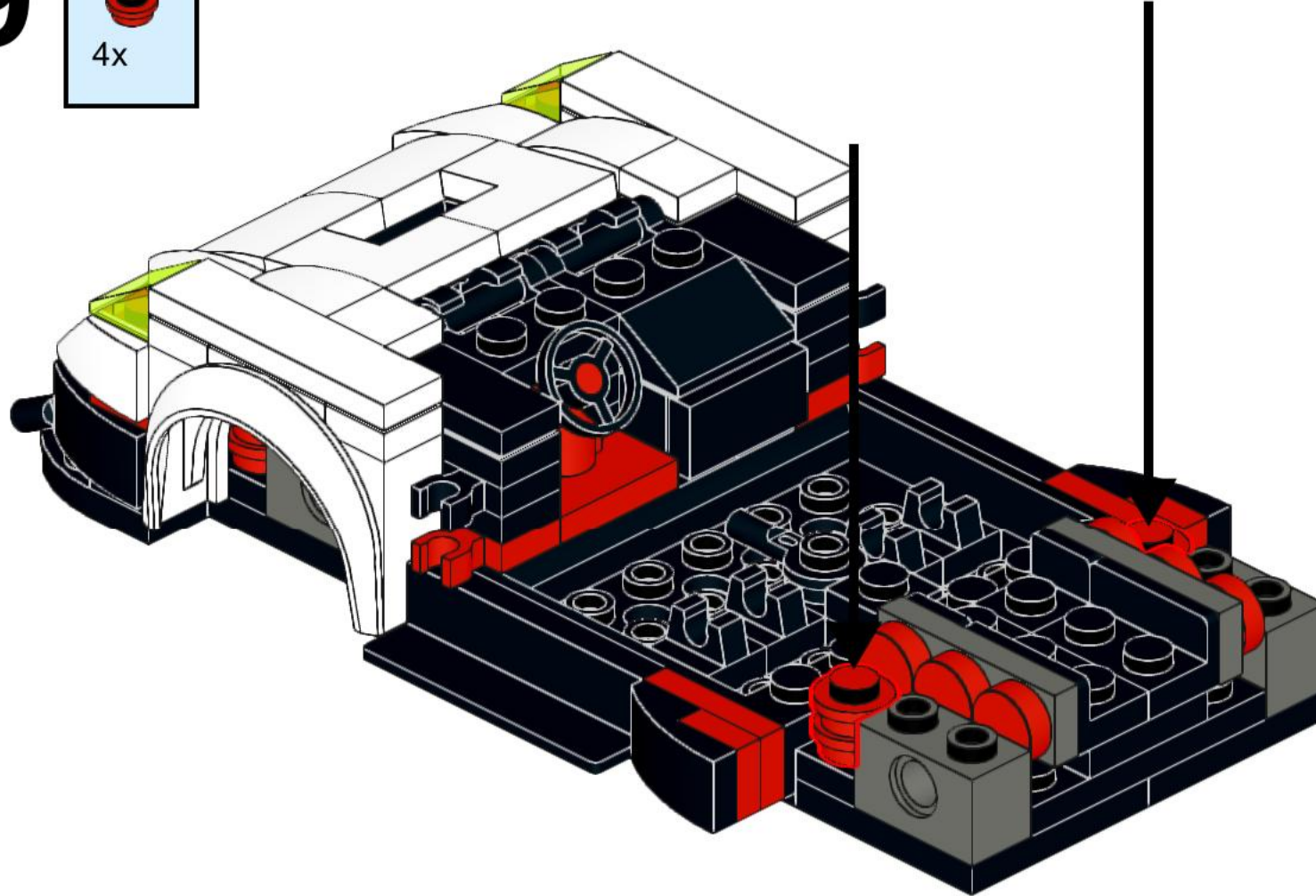
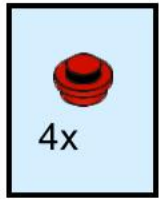


# 48

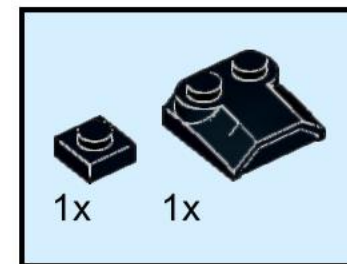
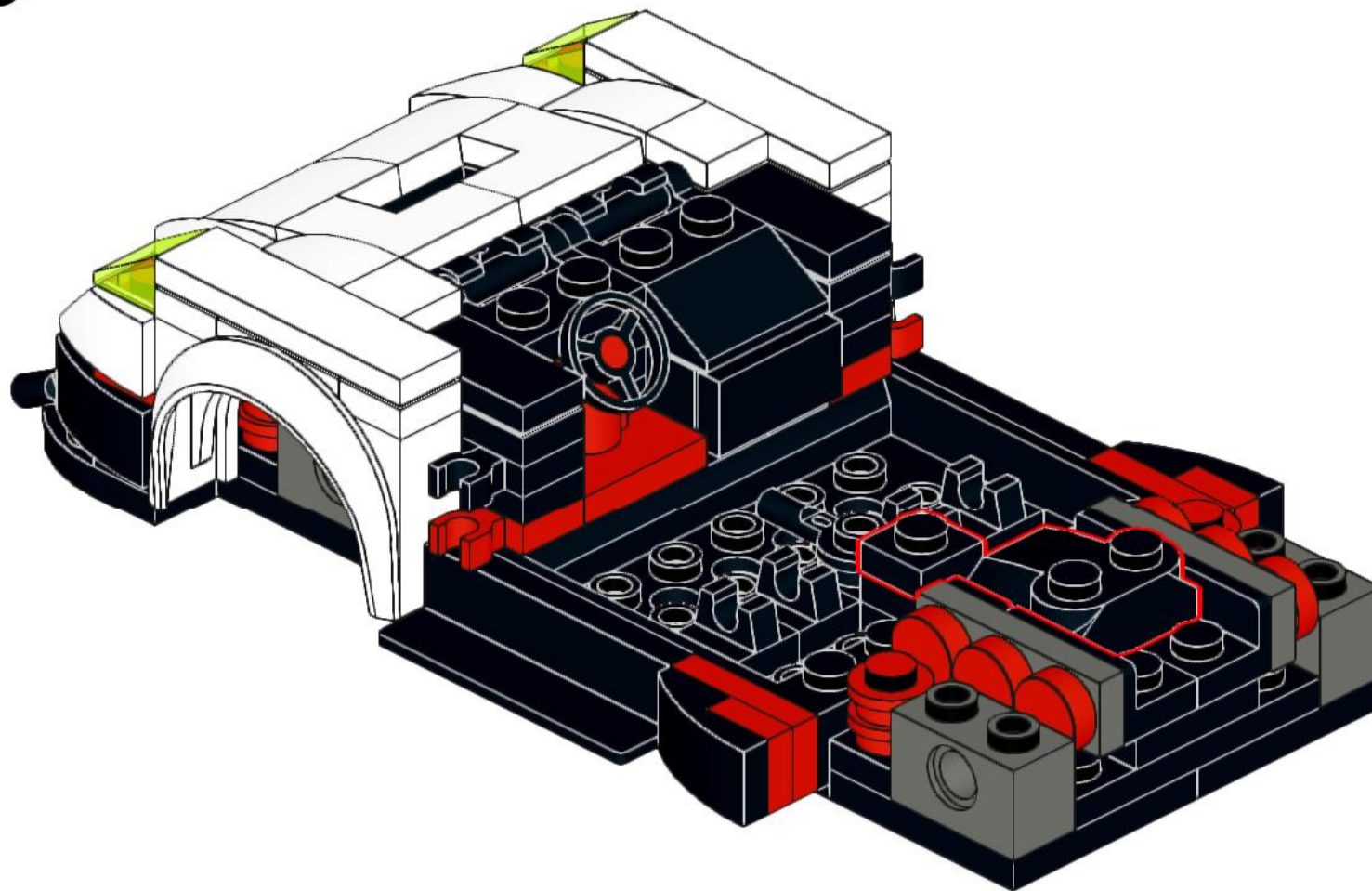




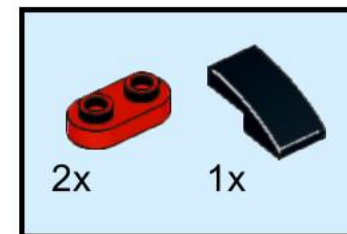
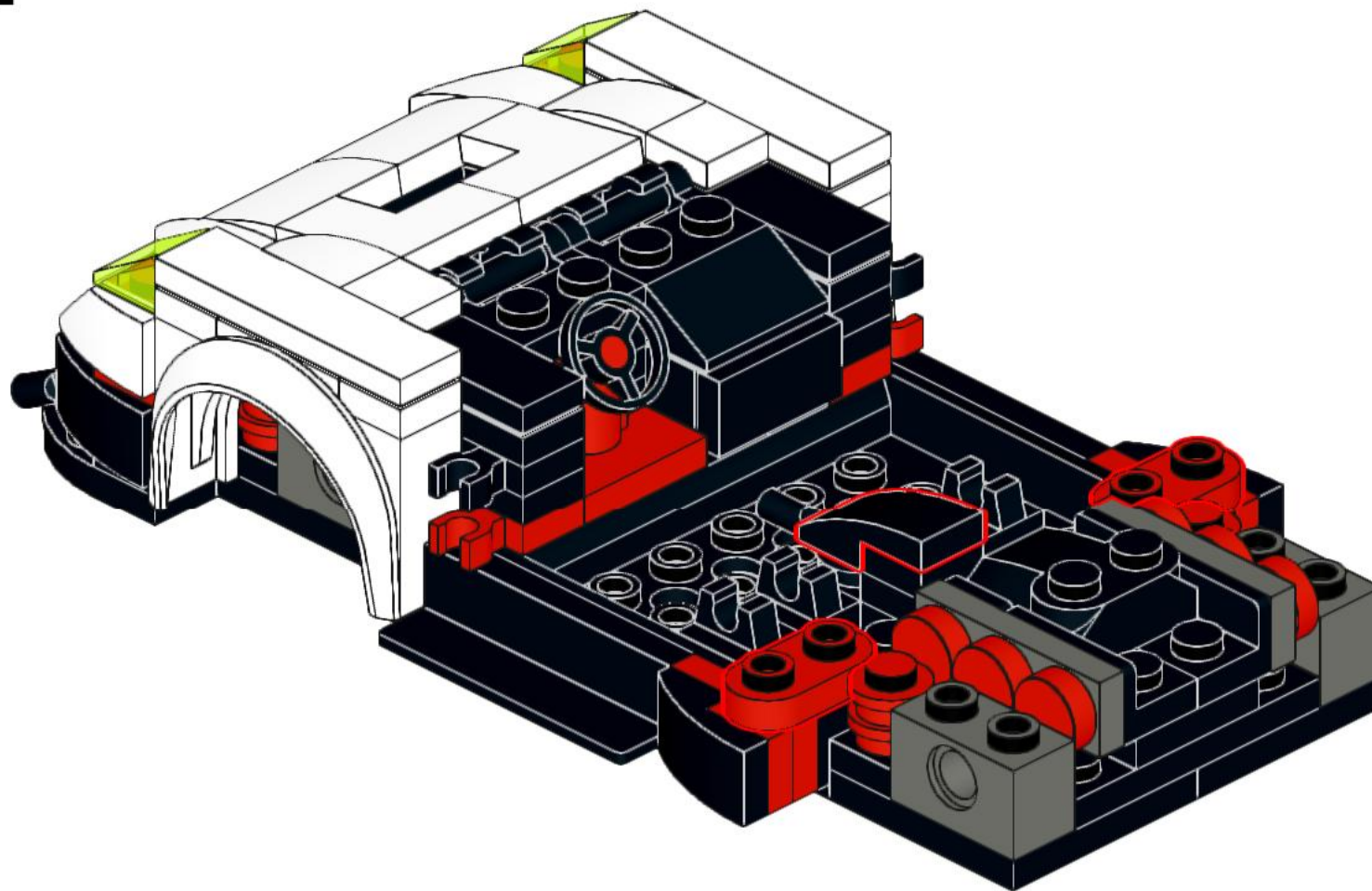
# 49



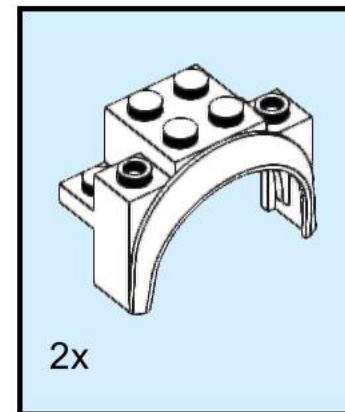
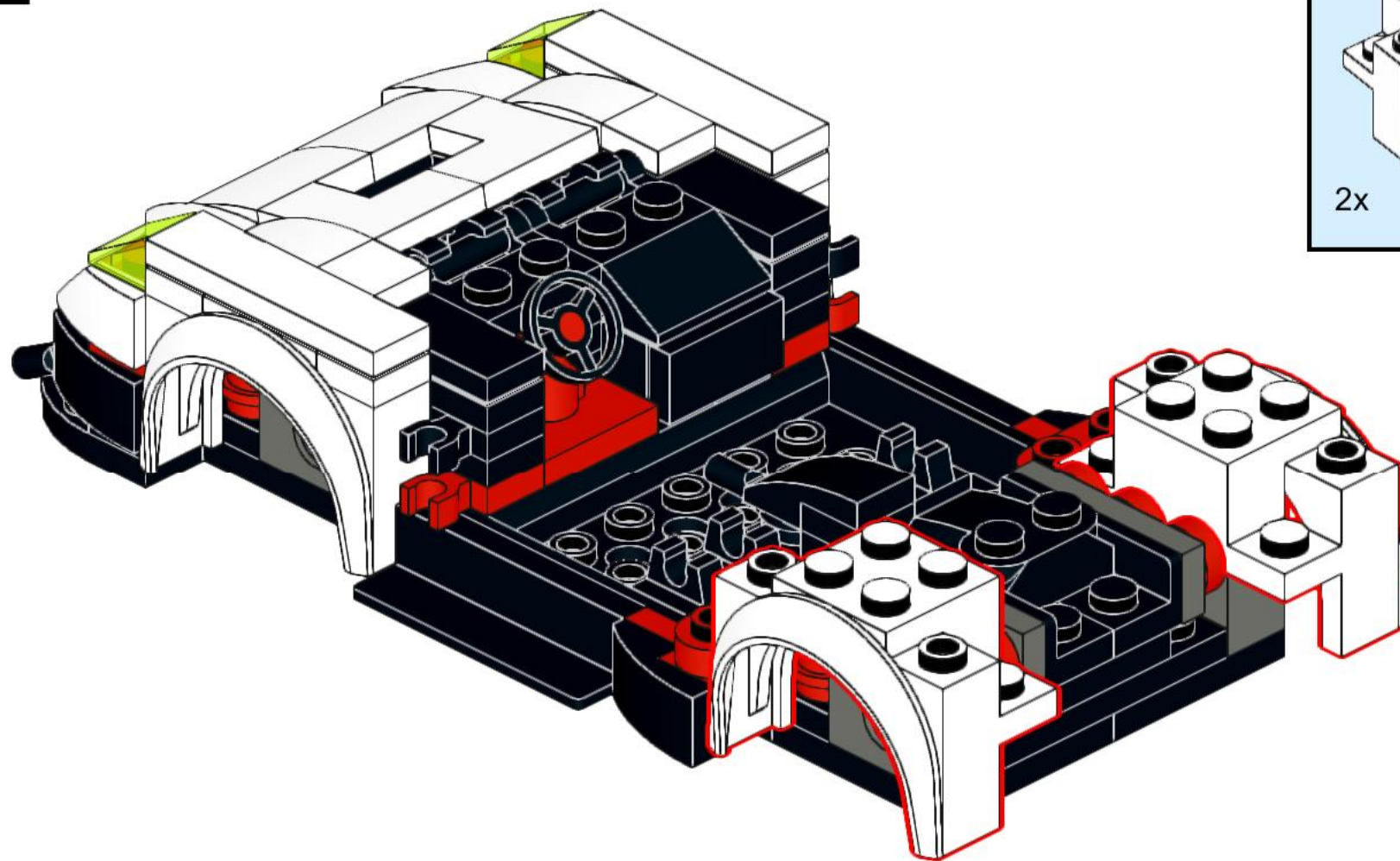
# 50



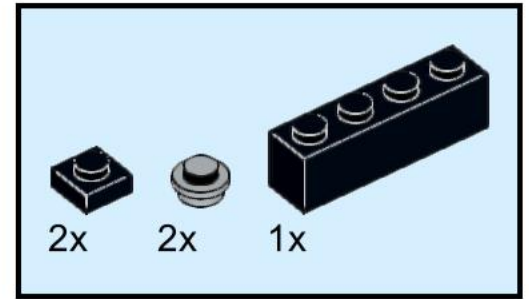
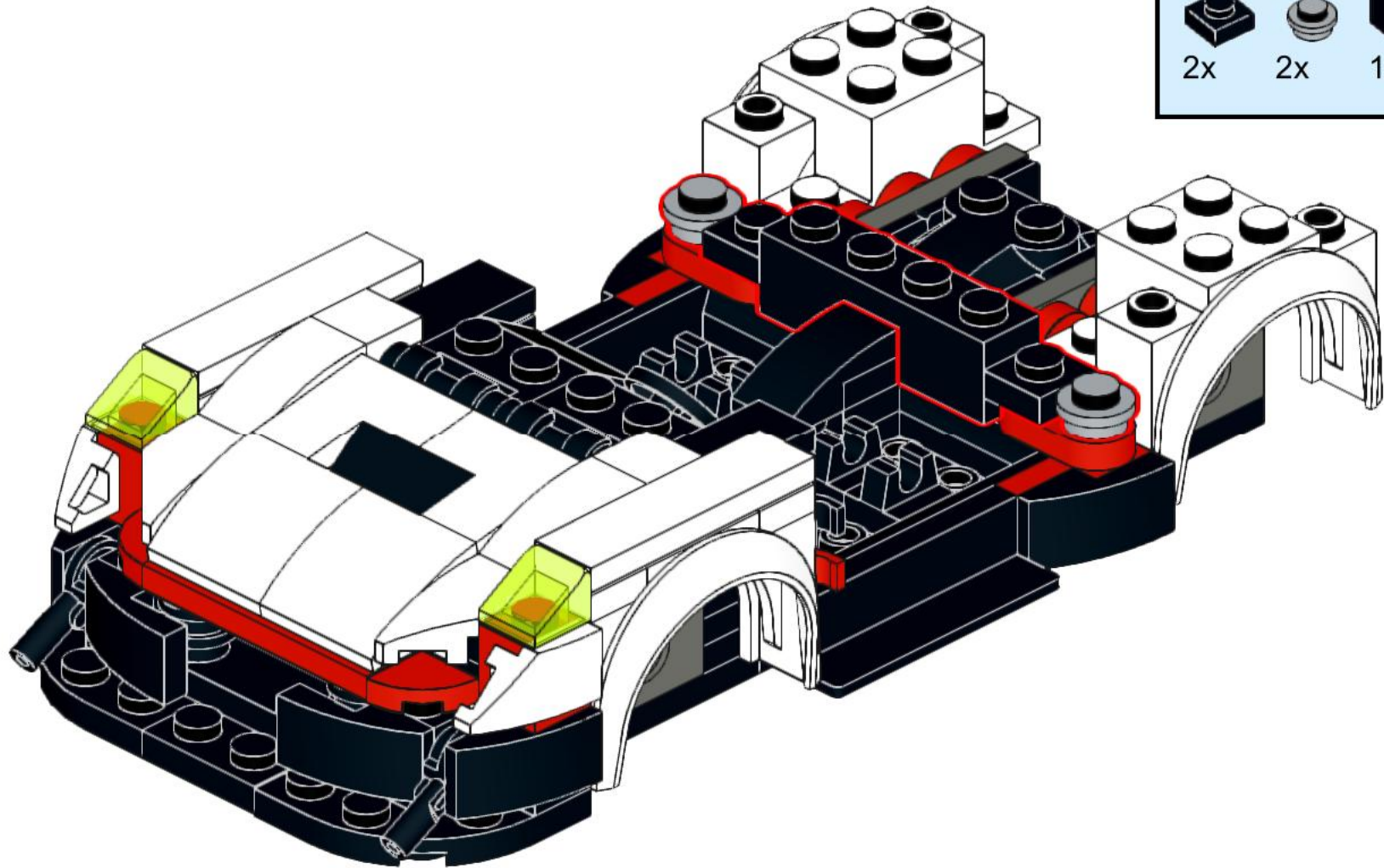
# 51



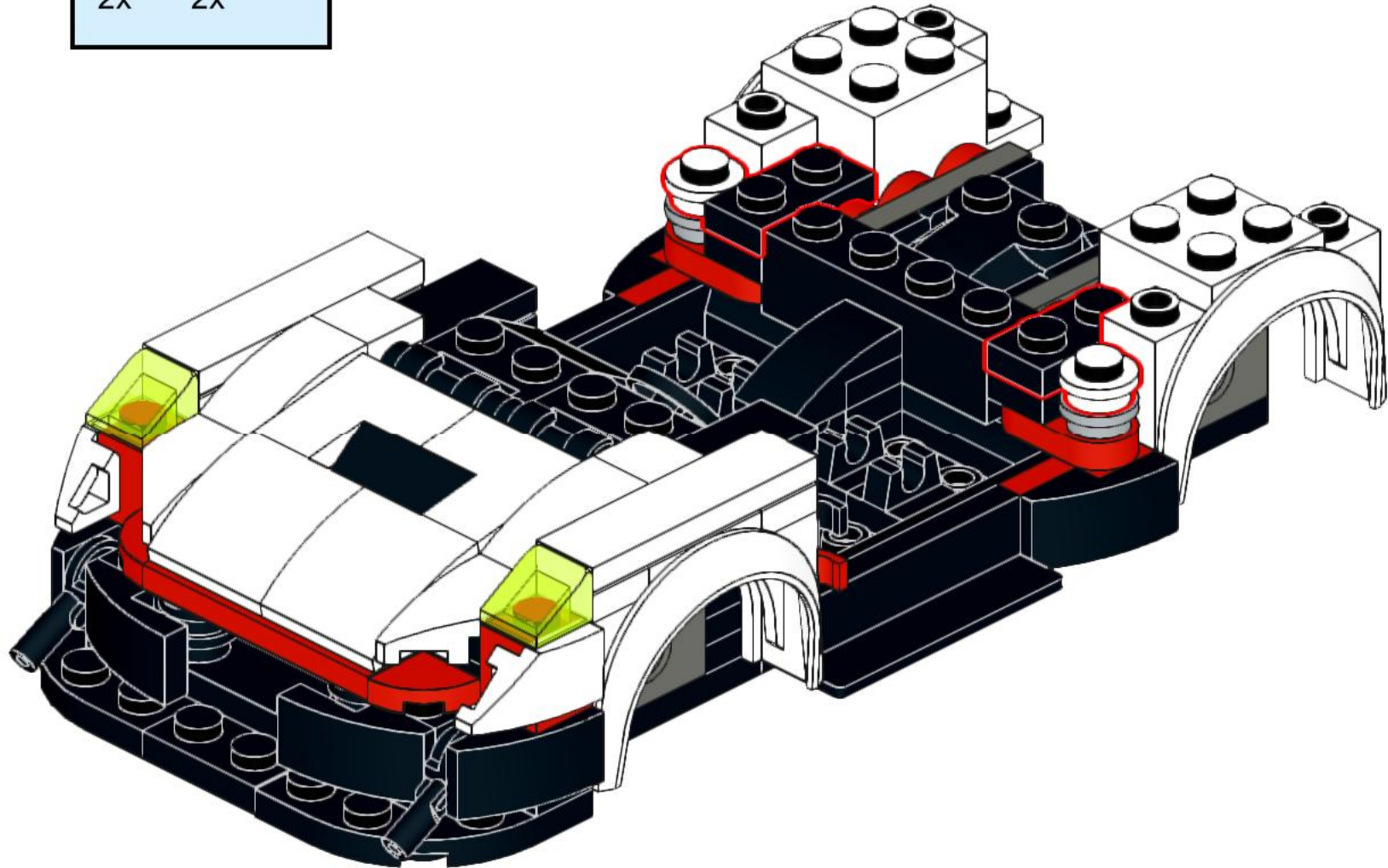
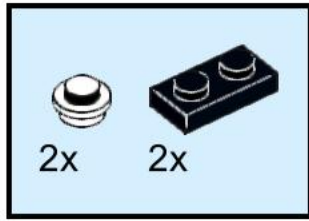
# 52



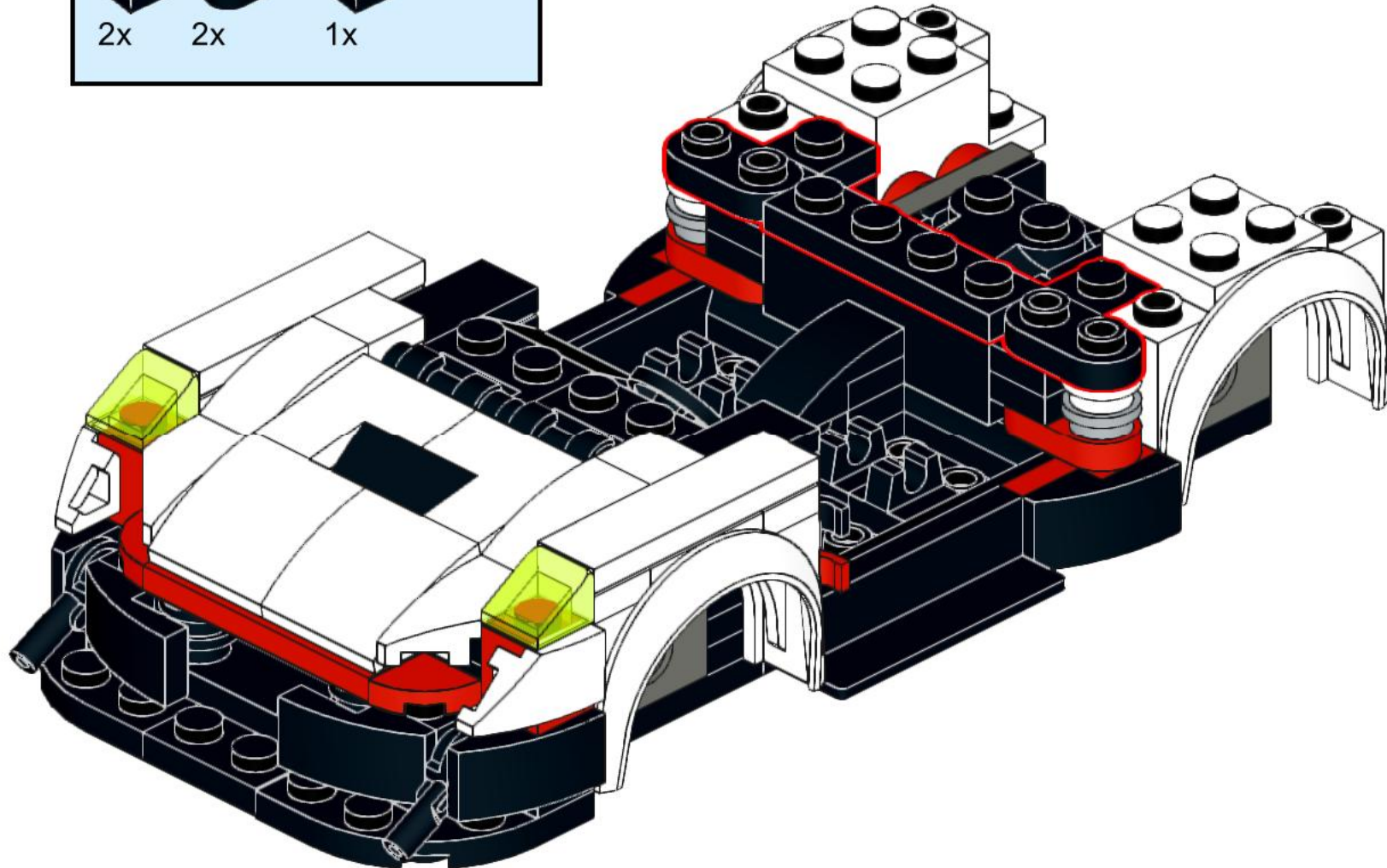
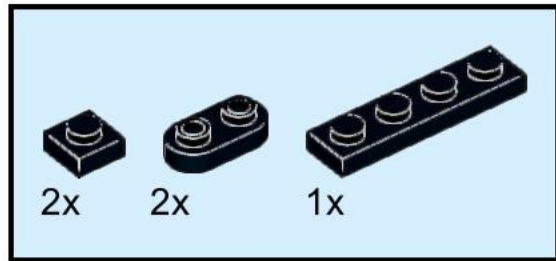
# 53



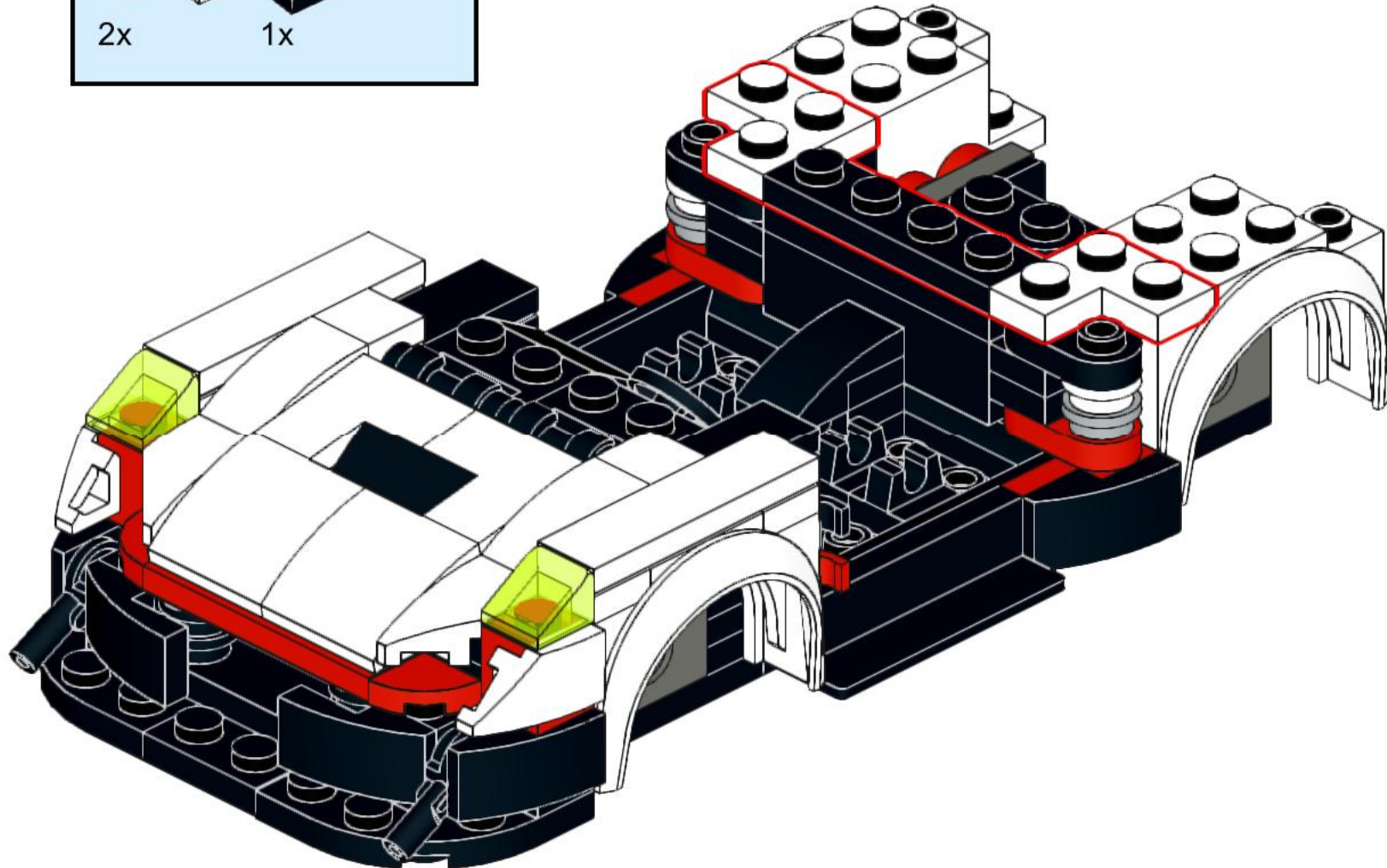
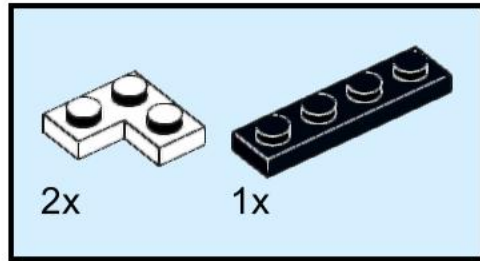
# 54



# 55

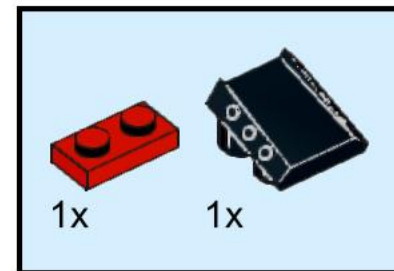
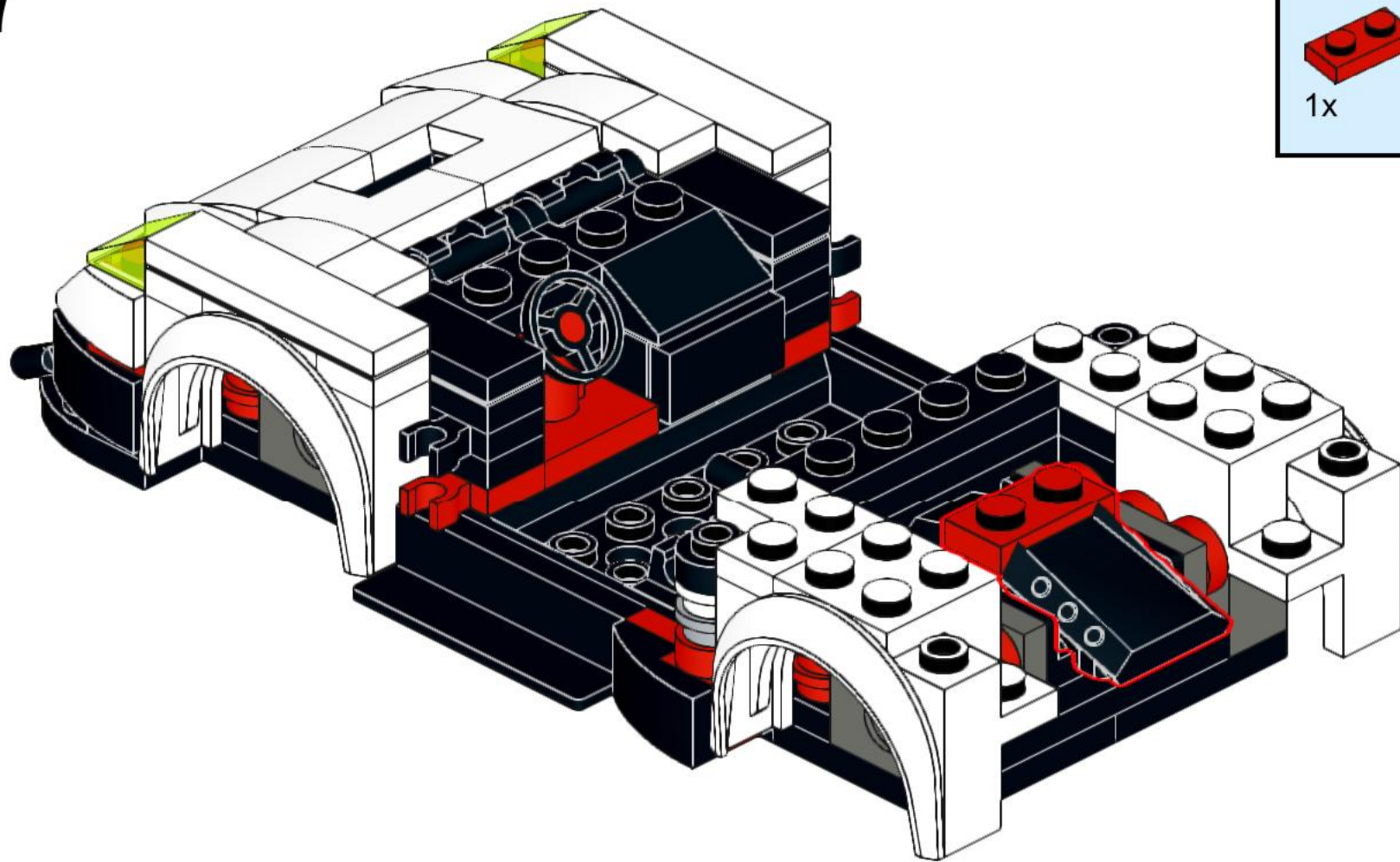


# 56

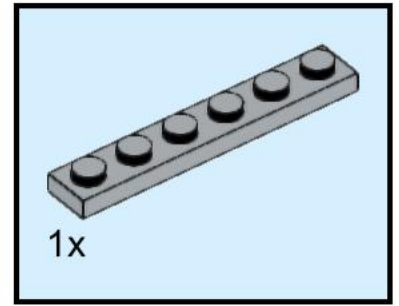
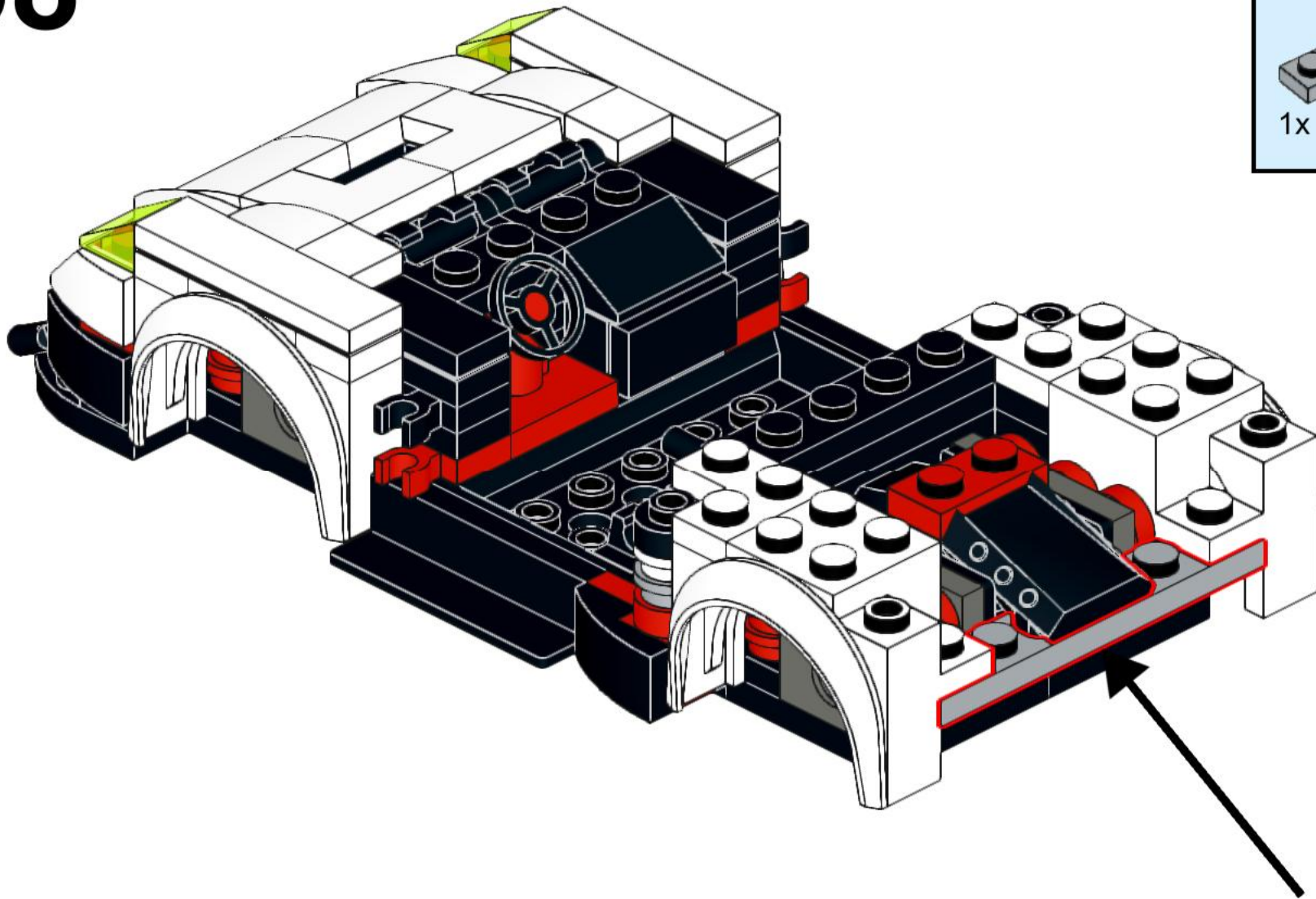




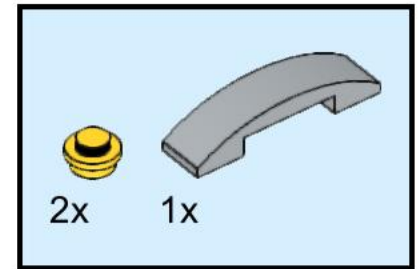
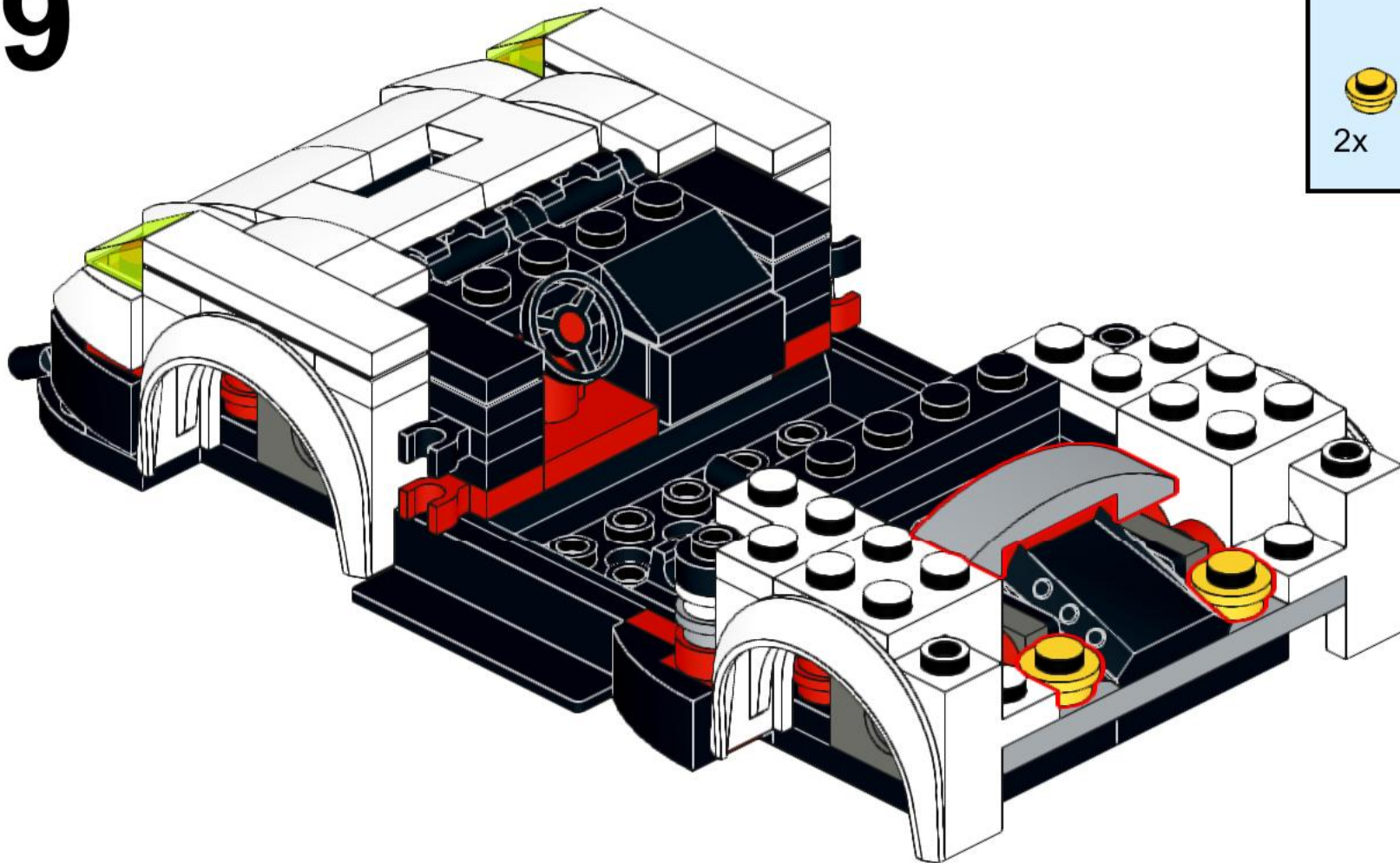
# 57



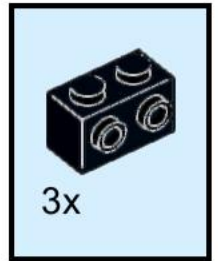
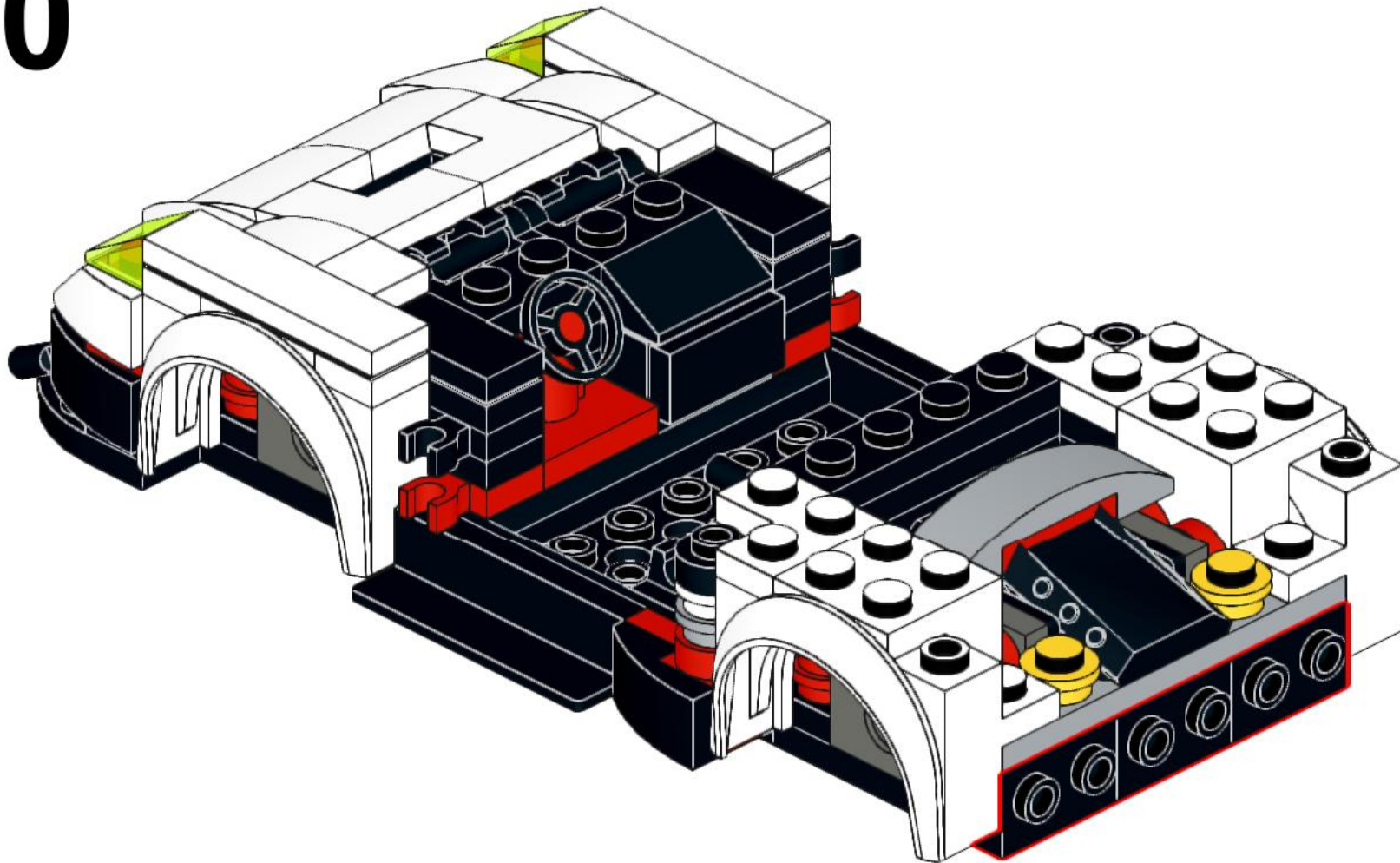
# 58



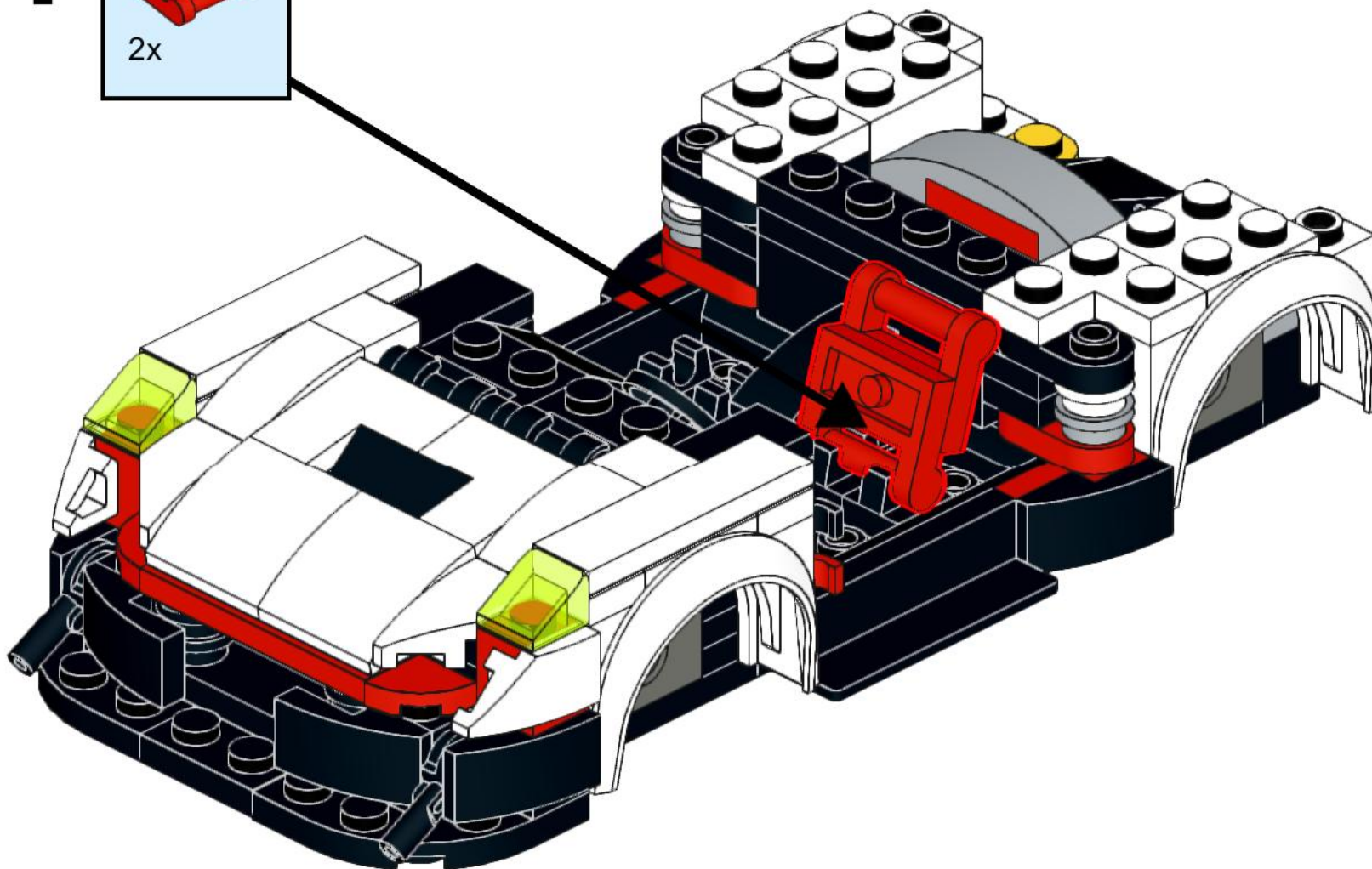
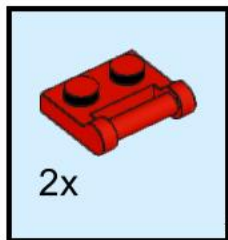
# 59



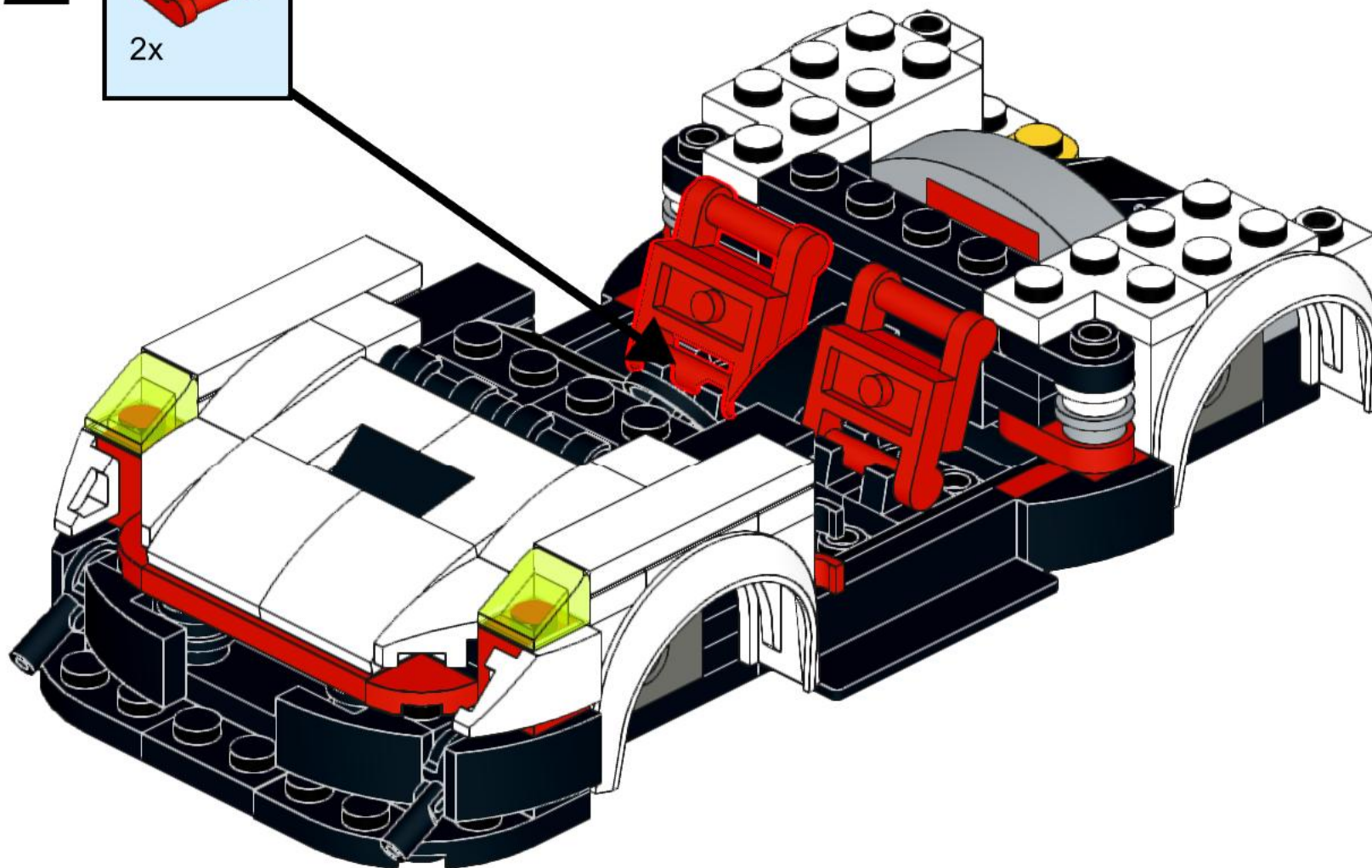
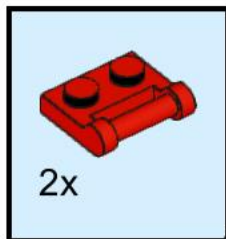
# 60



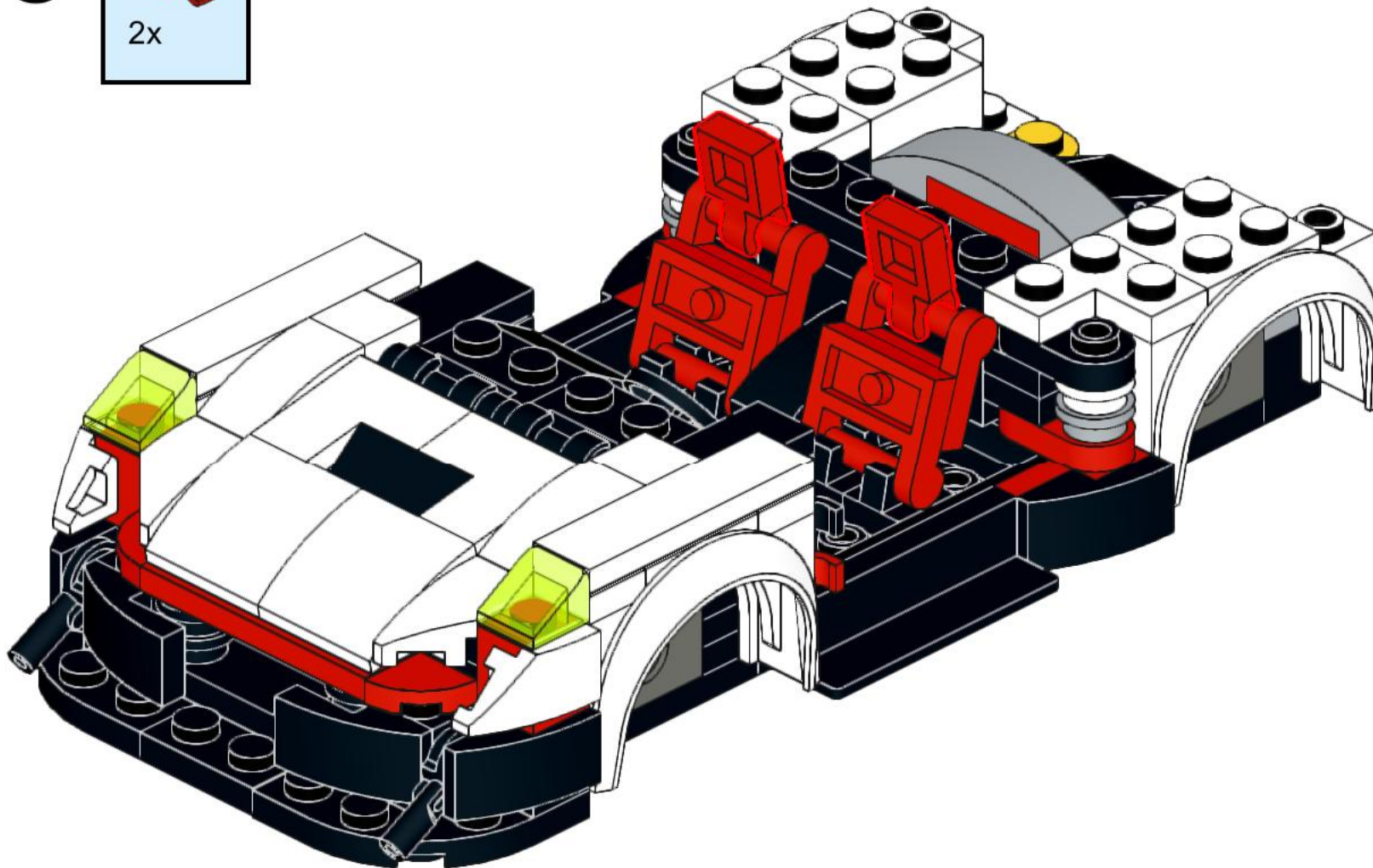
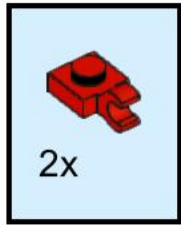
# 61



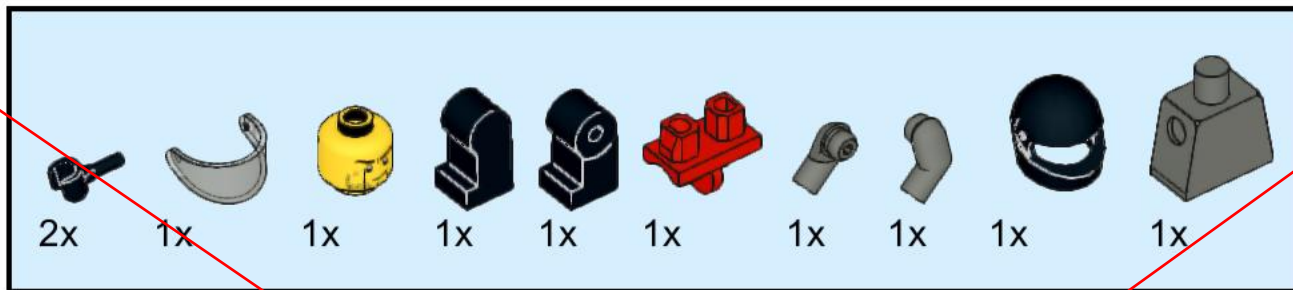
62



# 63

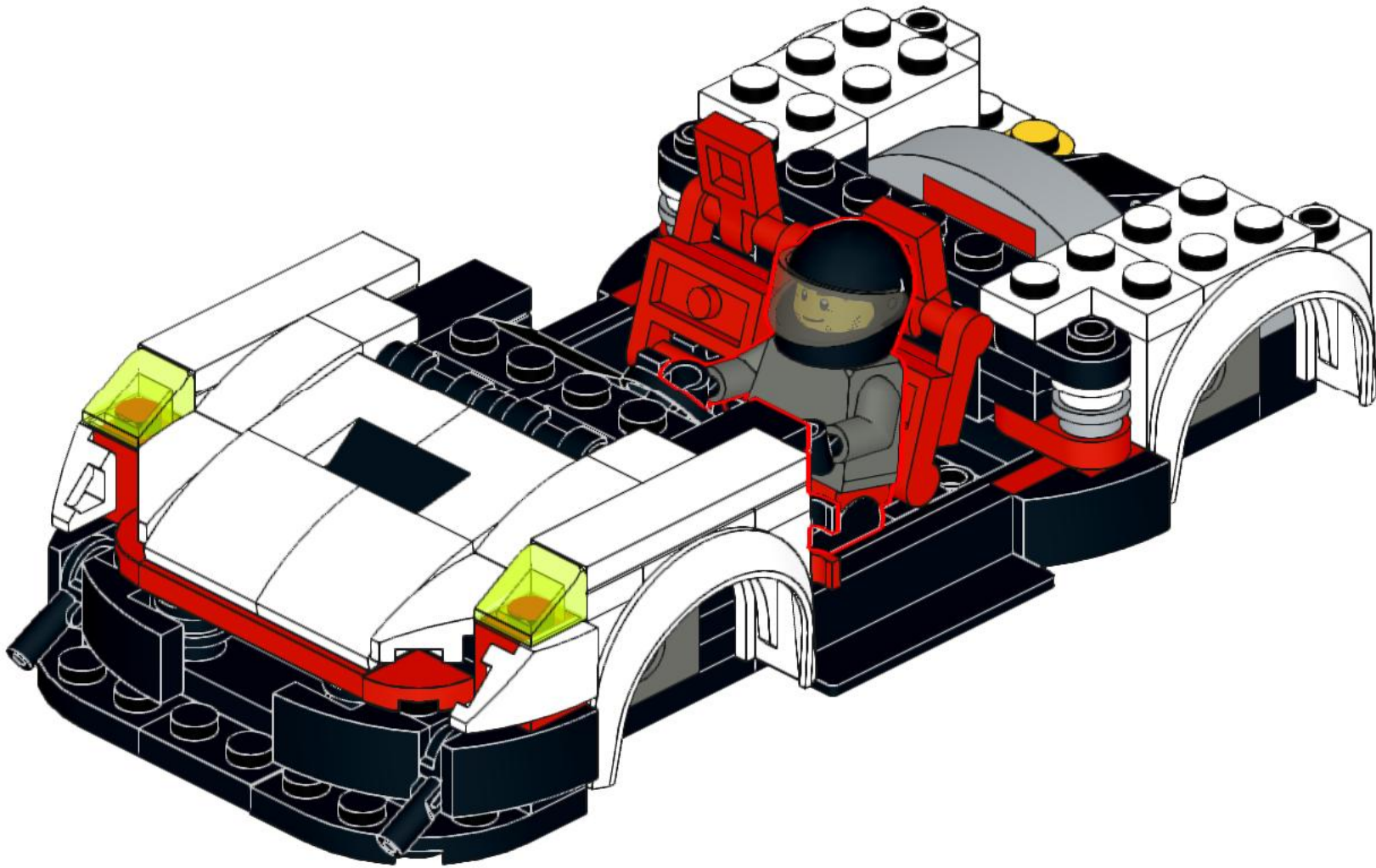


# 64

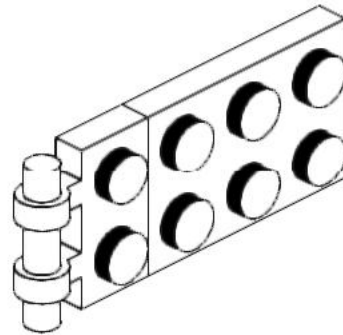
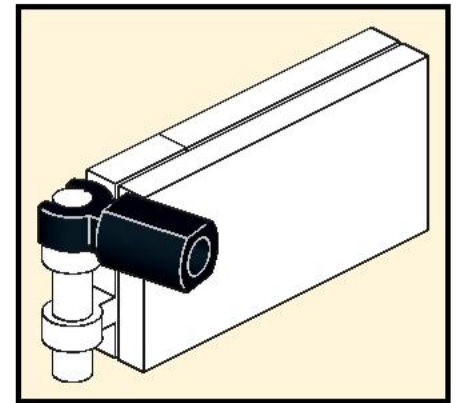
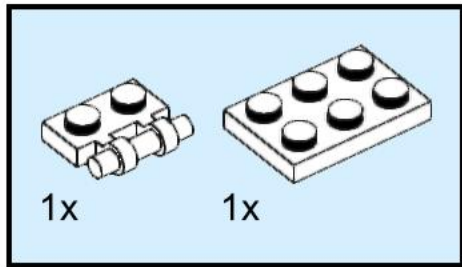




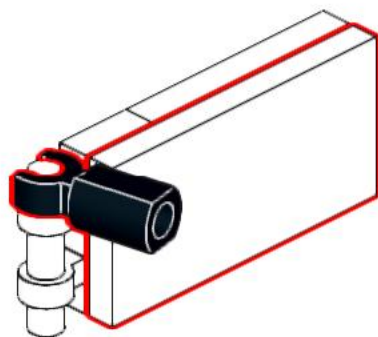
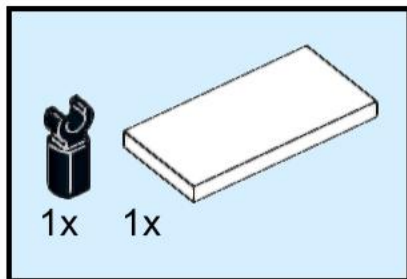
65



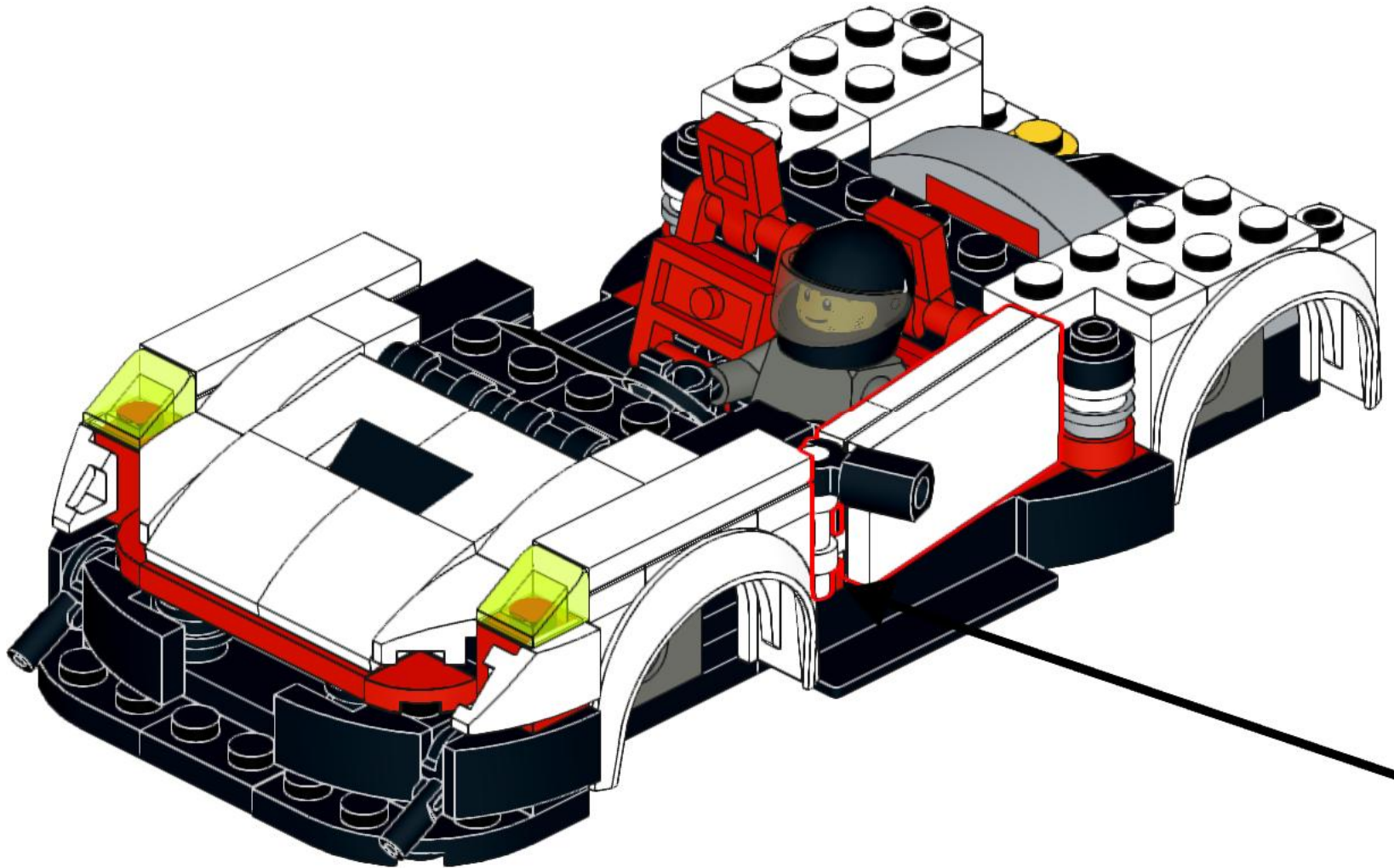
# 66



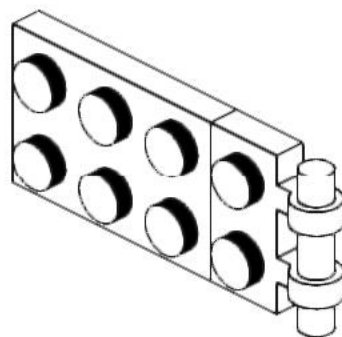
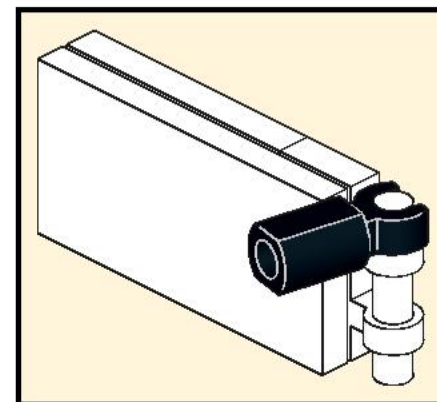
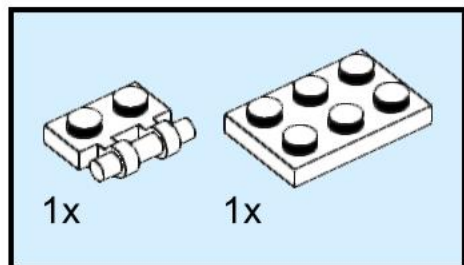
# 67



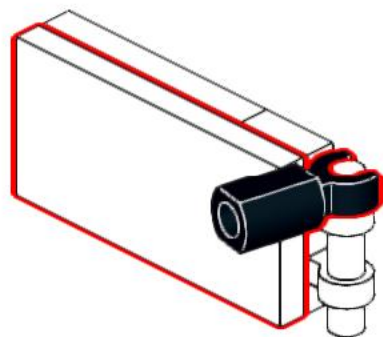
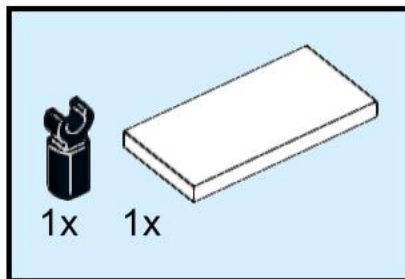
68



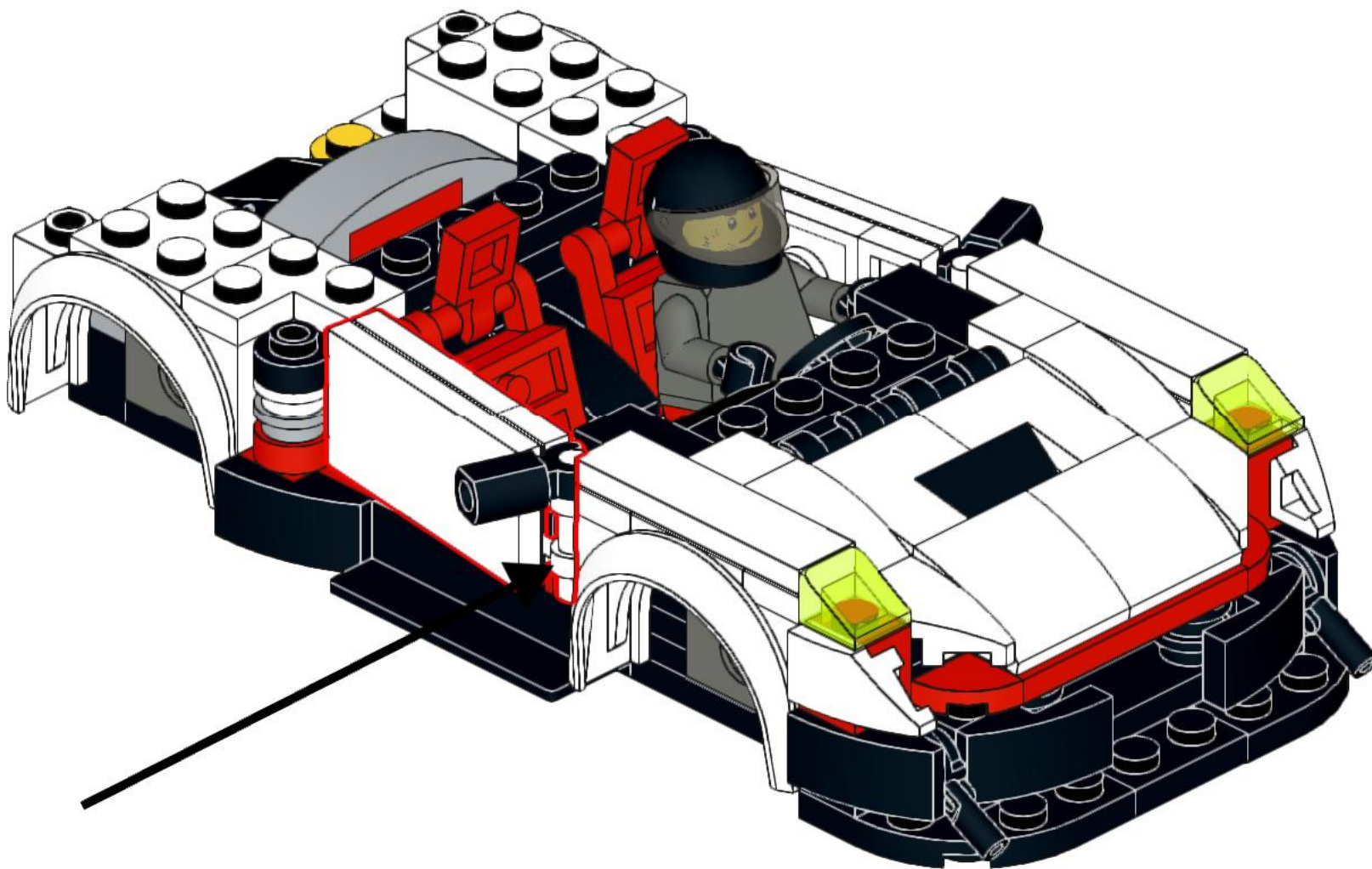
# 69



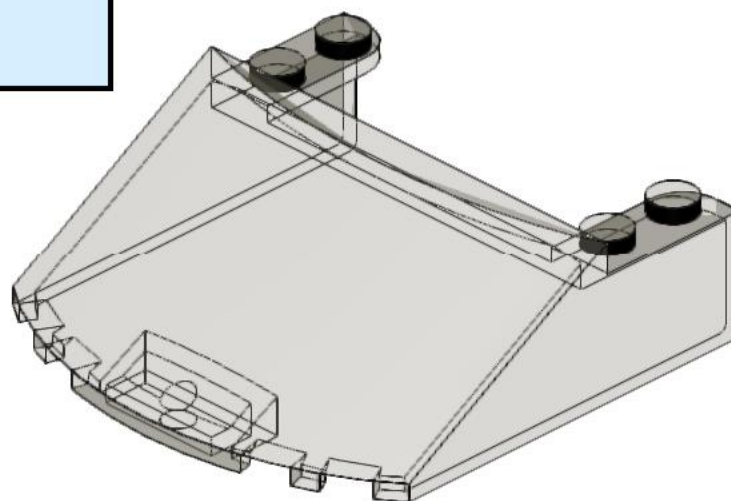
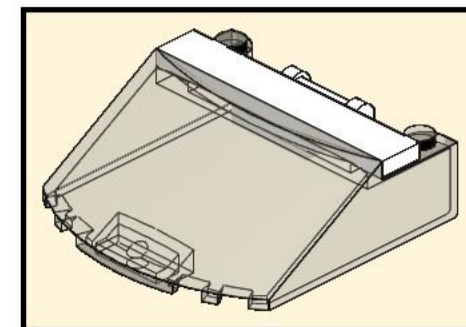
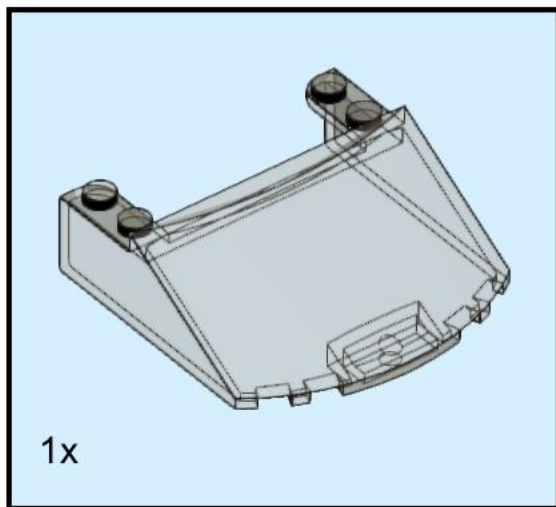
# 70



71

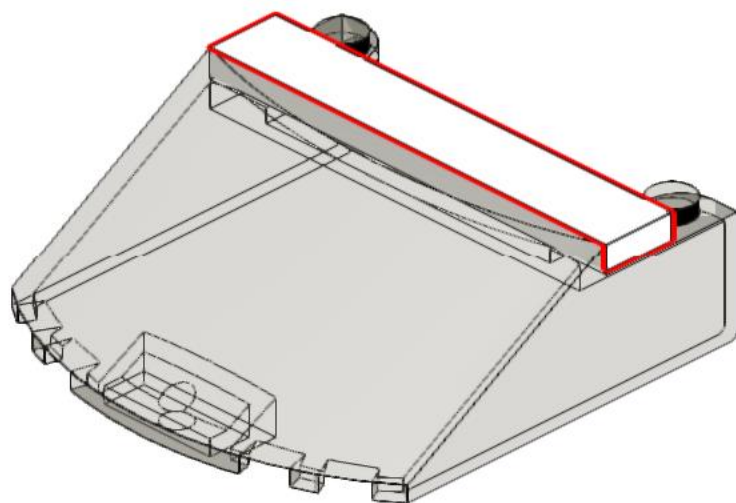
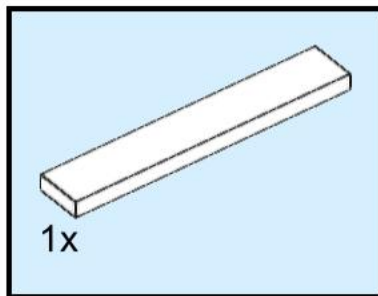


# 72

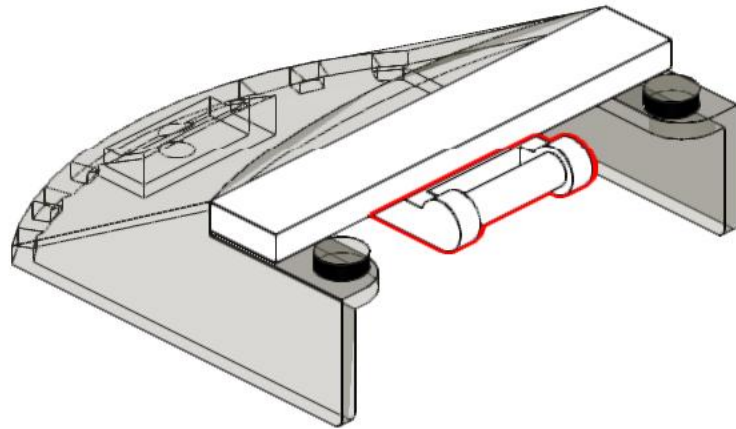
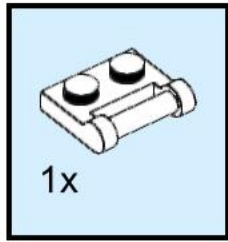




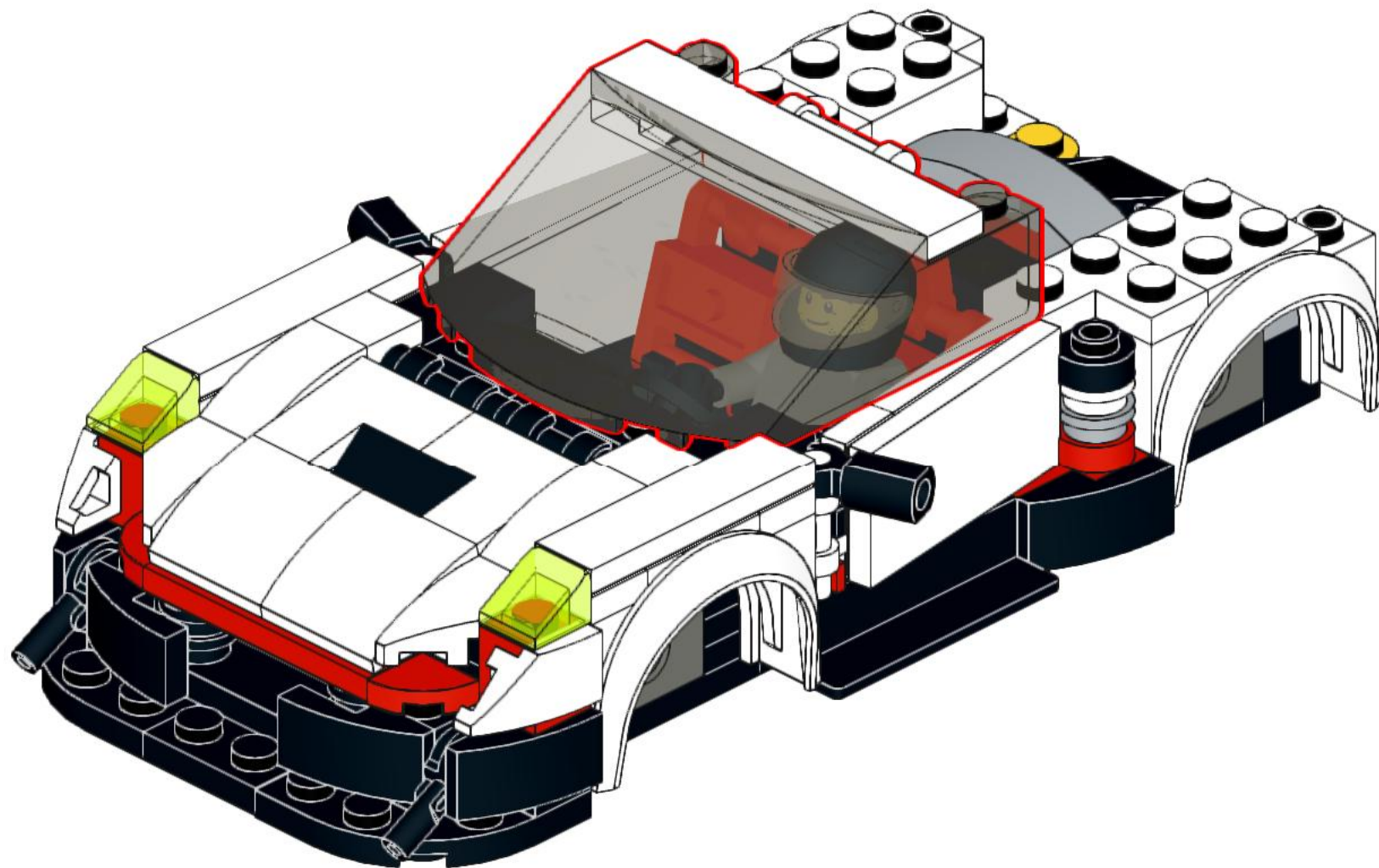
# 73



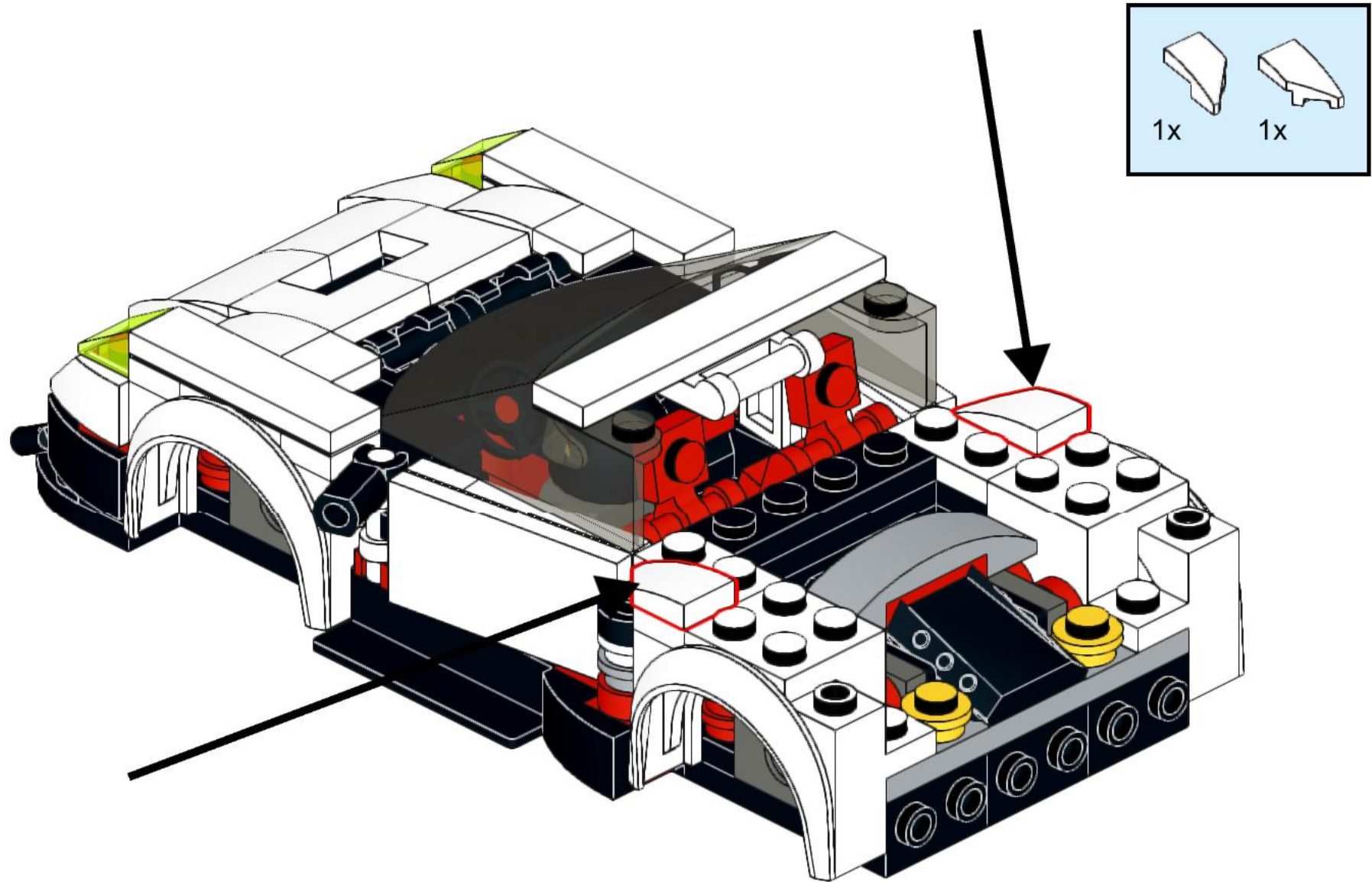
# 74



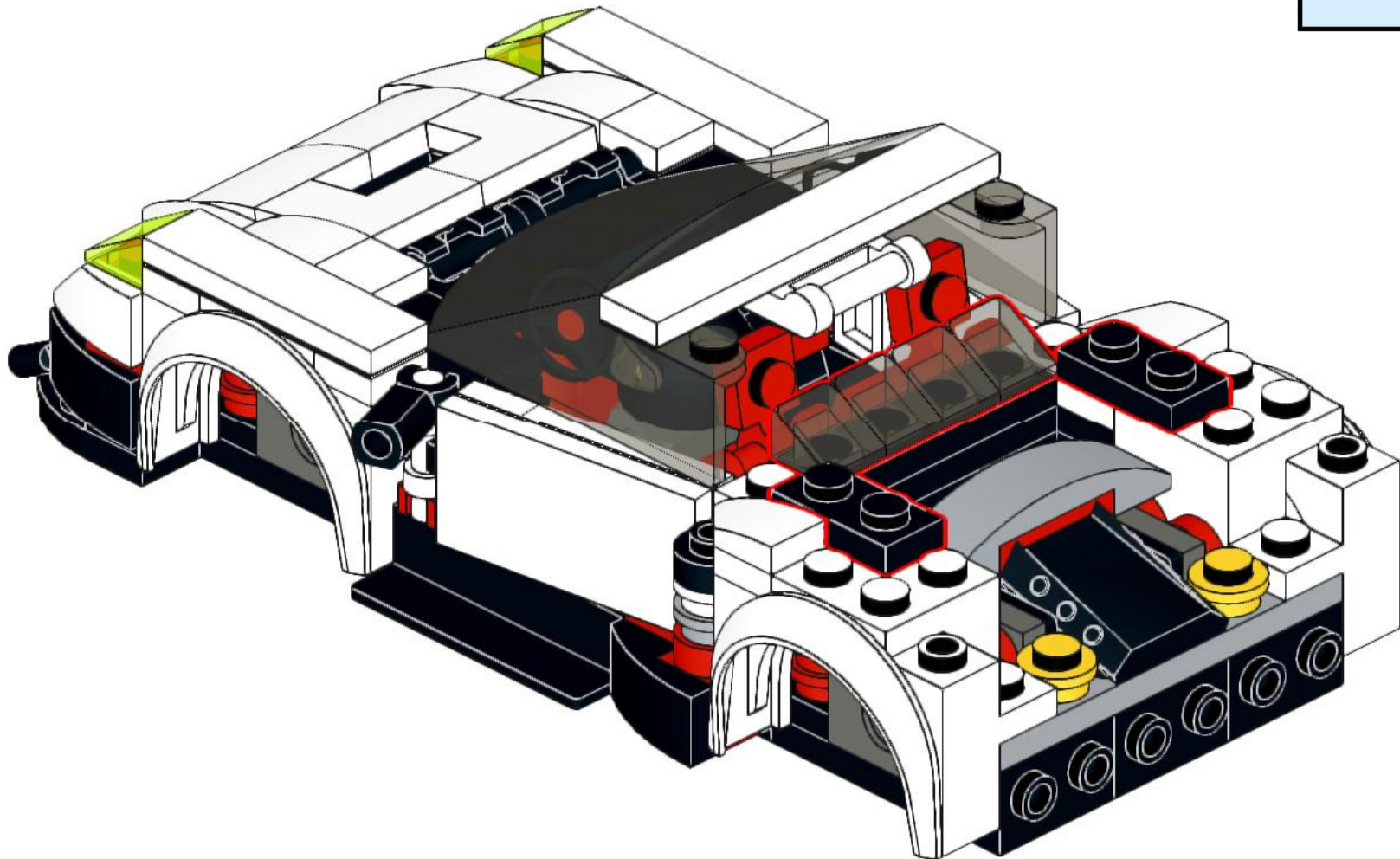
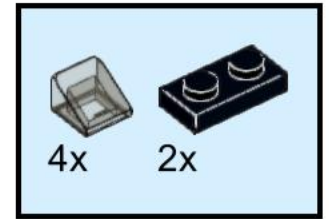
# 75



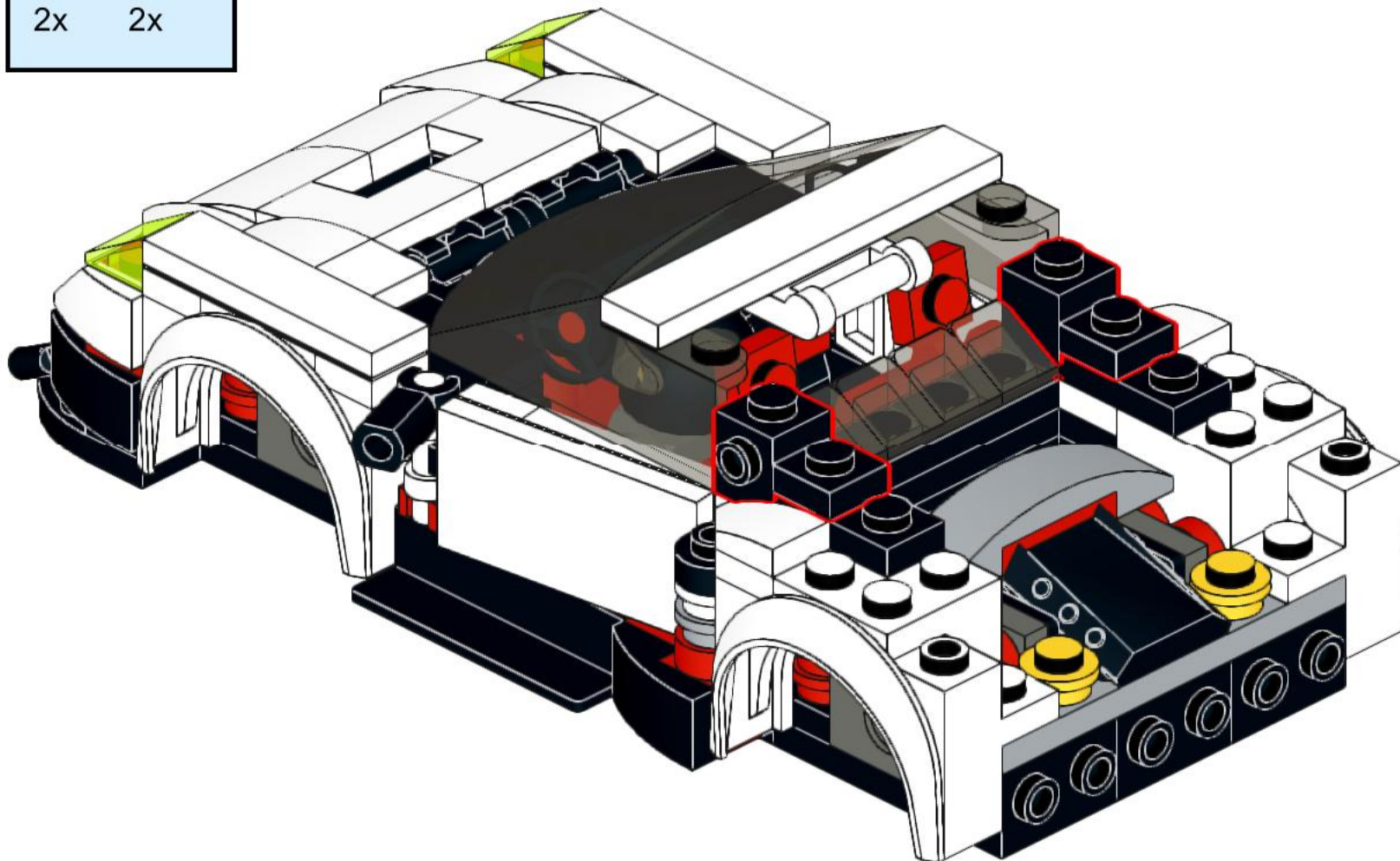
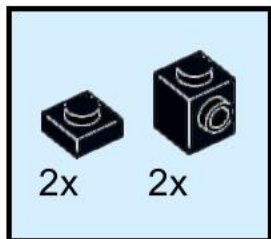
# 76



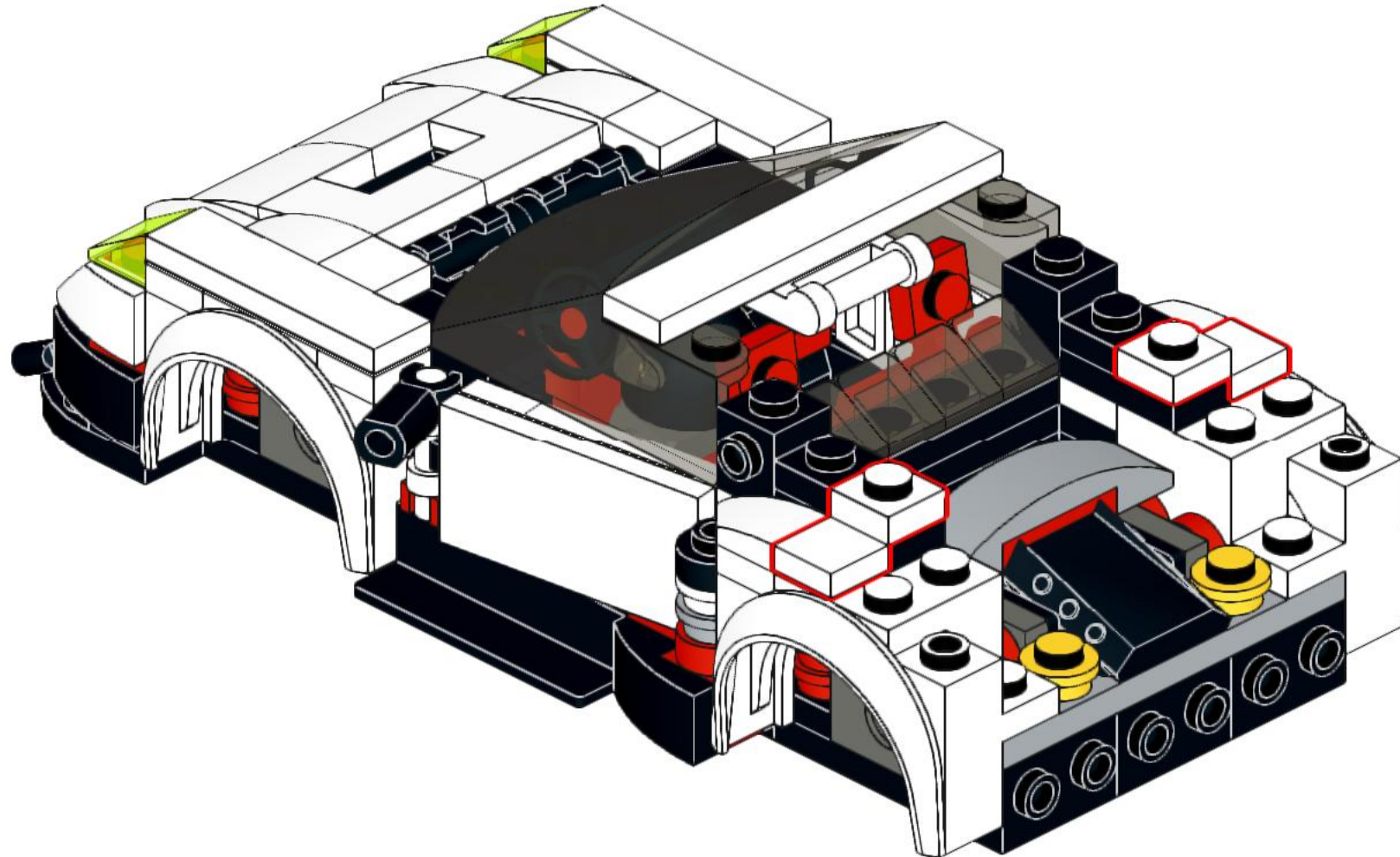
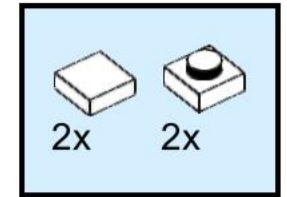
# 77



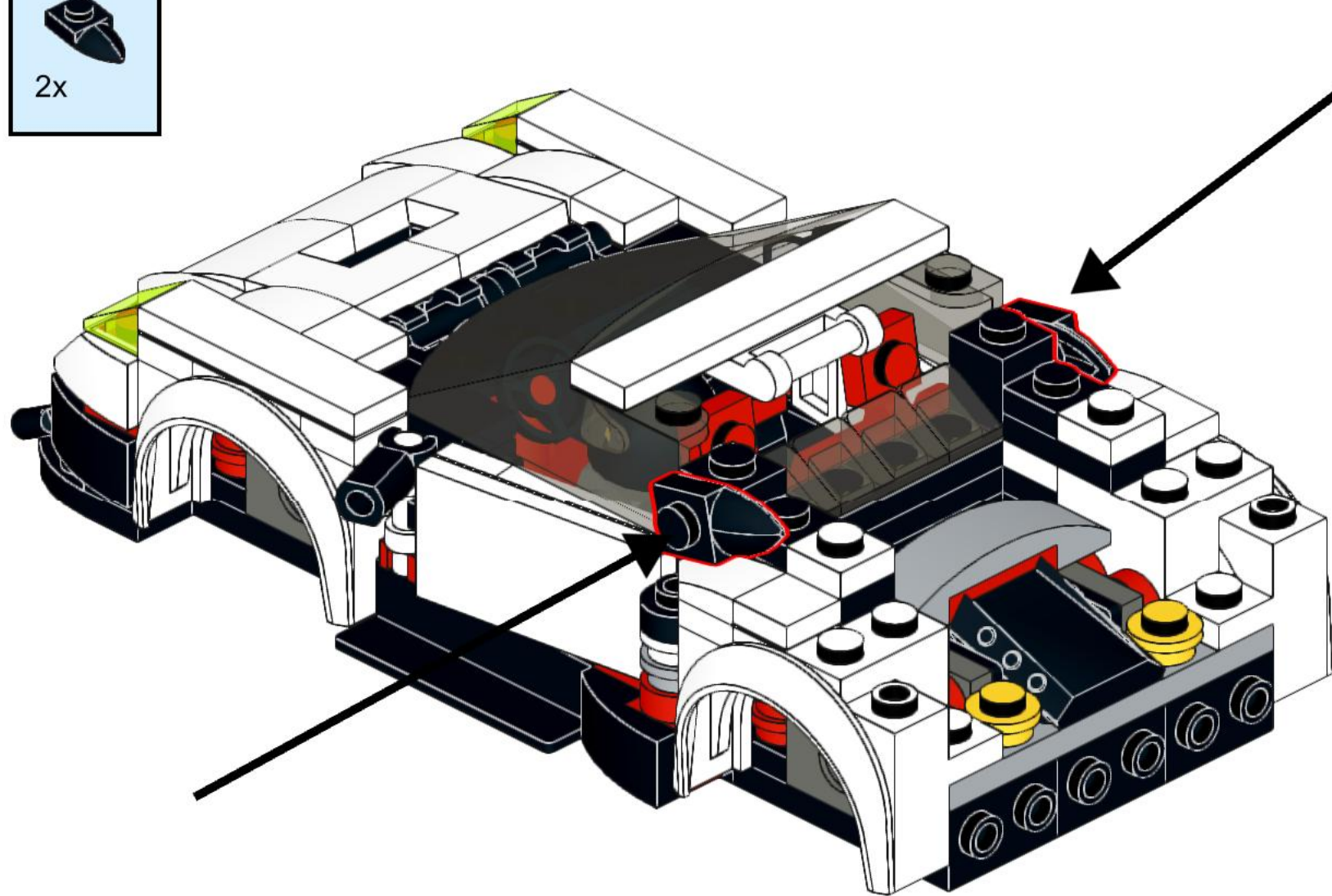
# 78



# 79

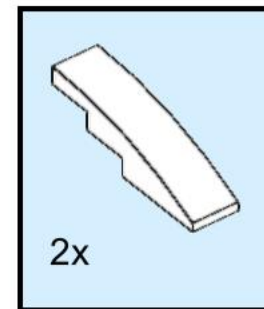
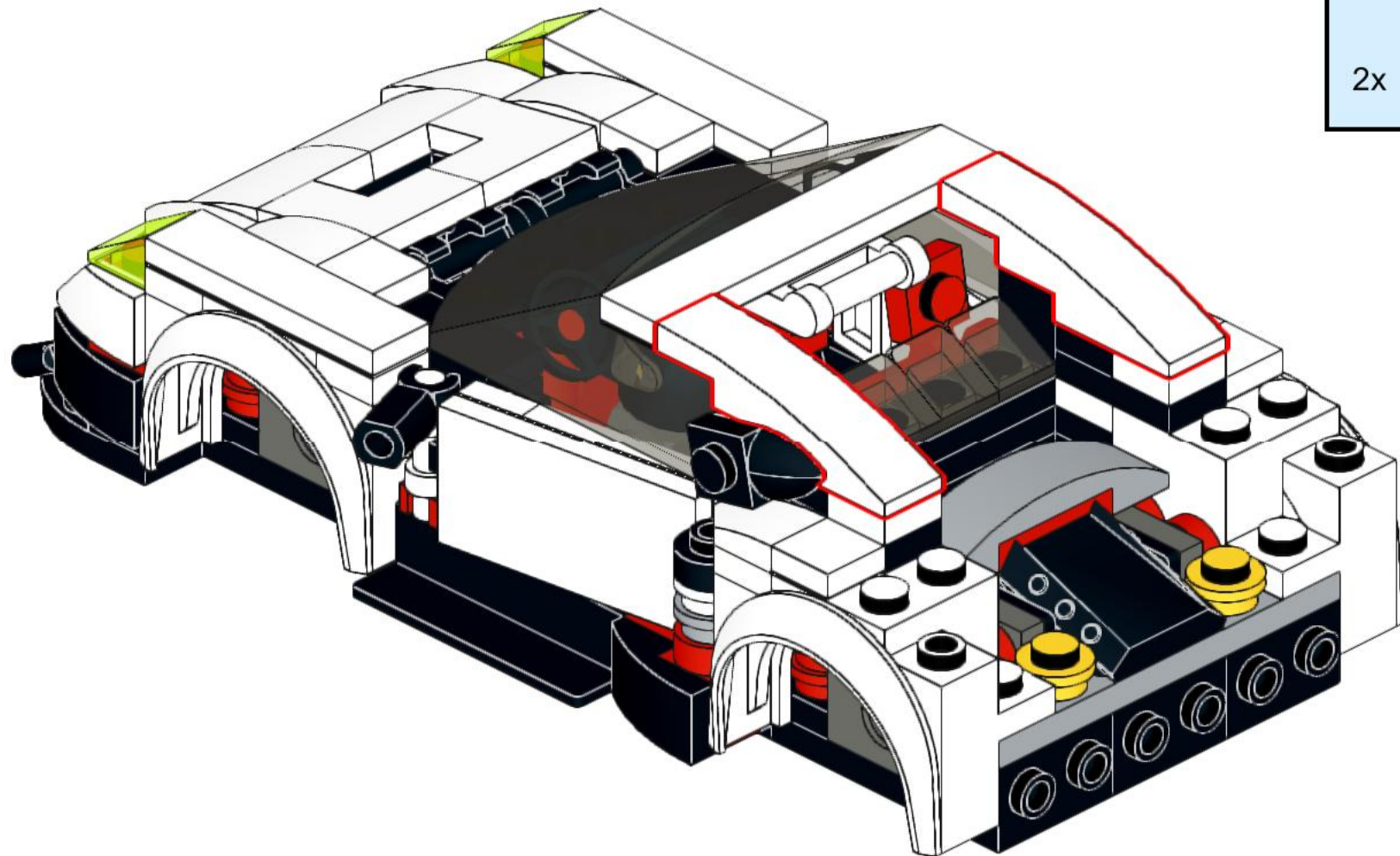


80

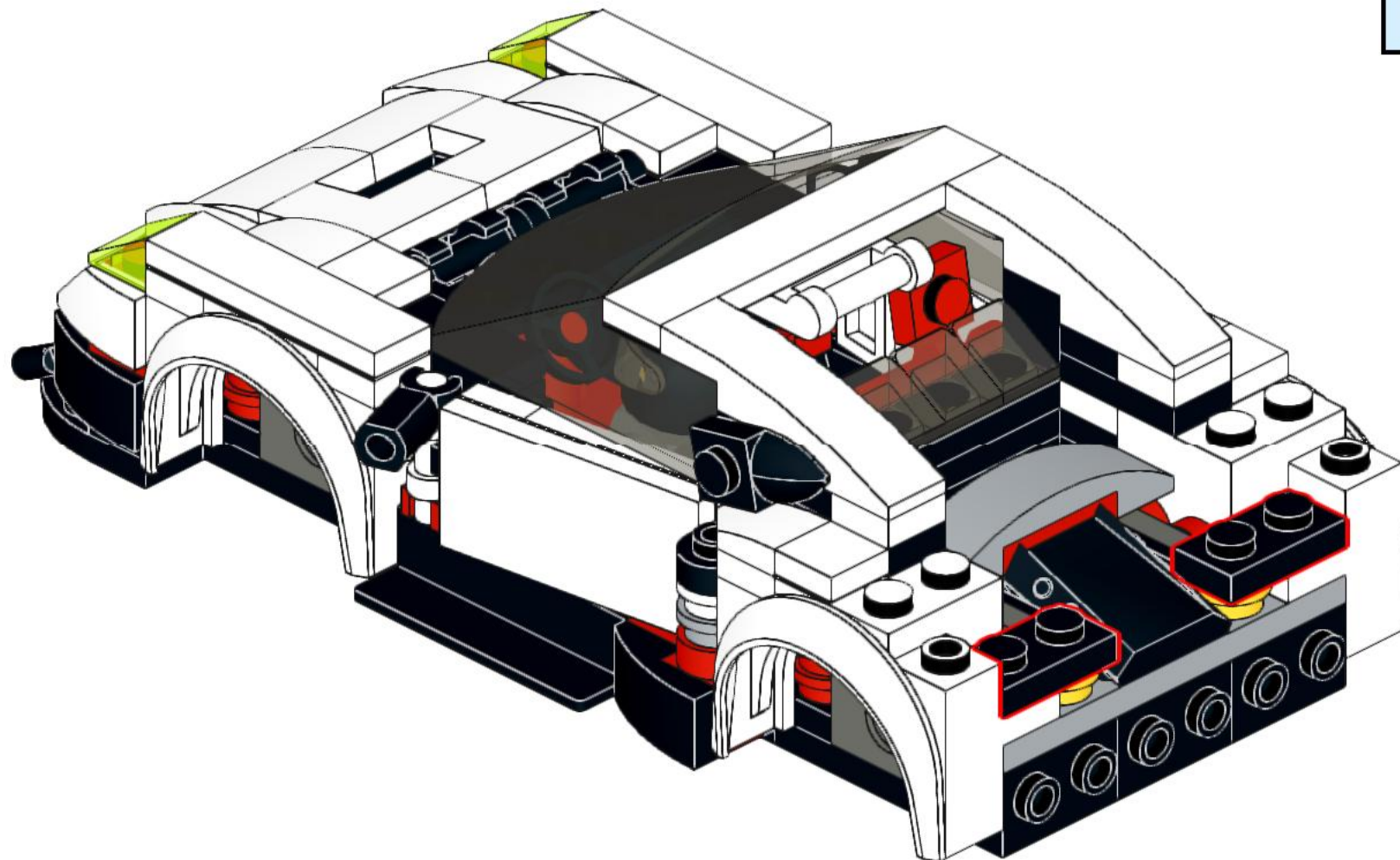
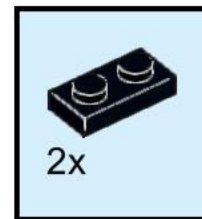




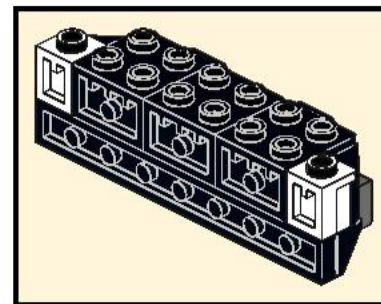
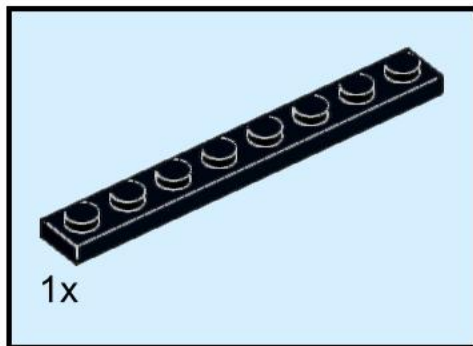
# 81



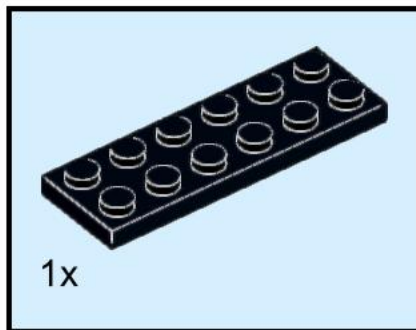
# 82



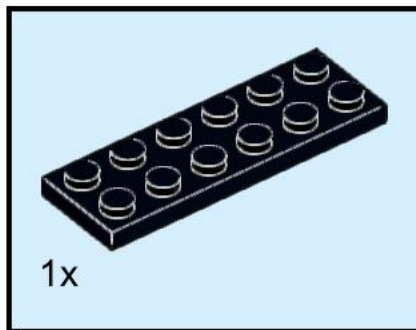
# 83



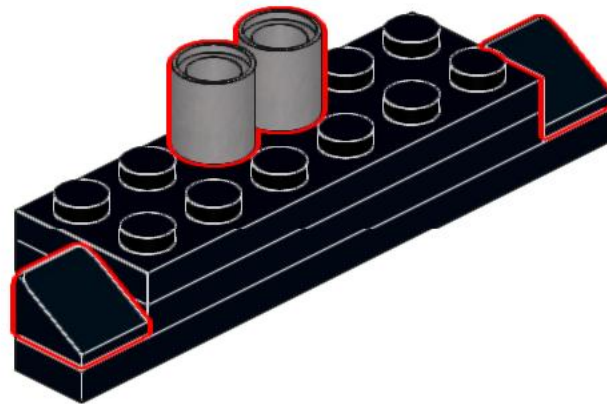
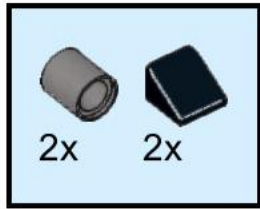
# 84



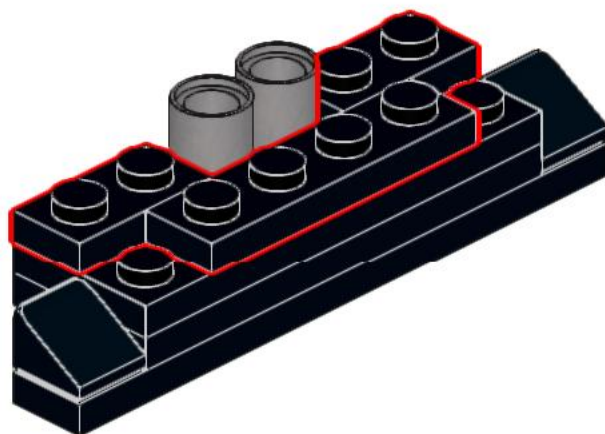
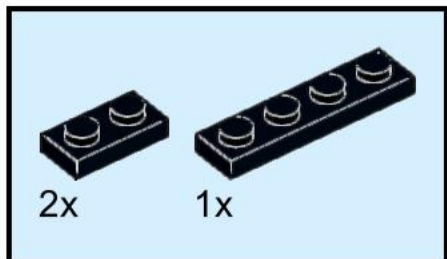
# 85



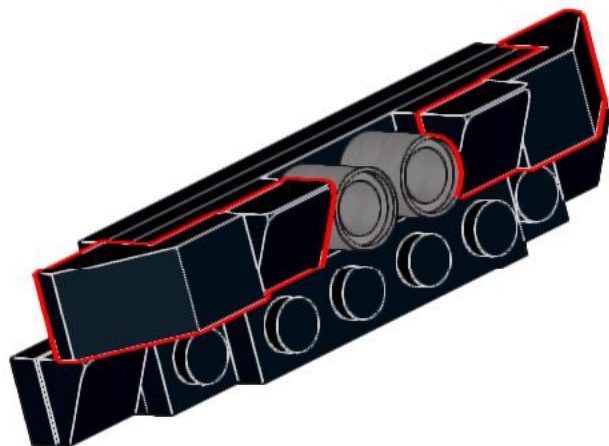
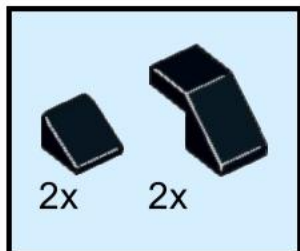
# 86



# 87

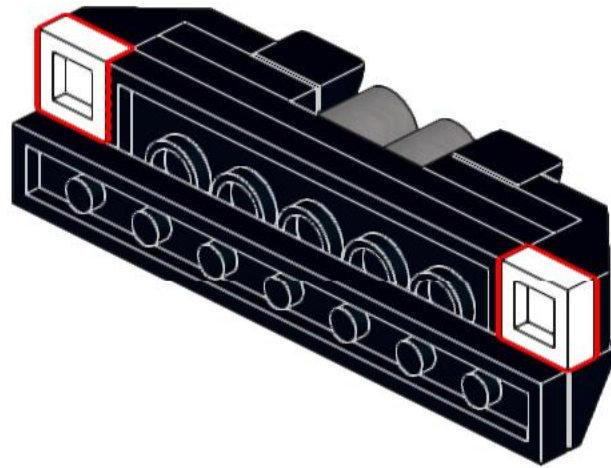
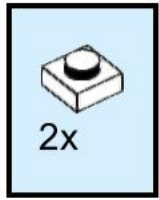


88

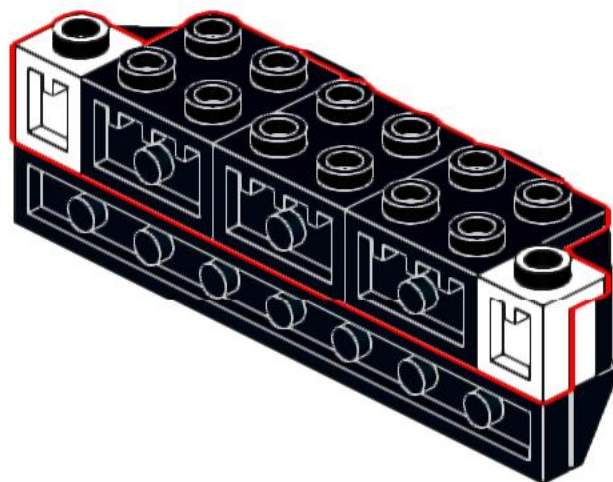
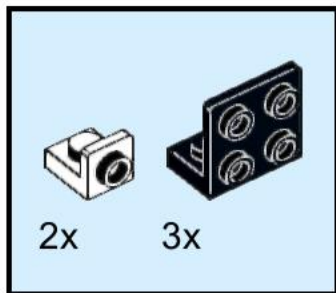




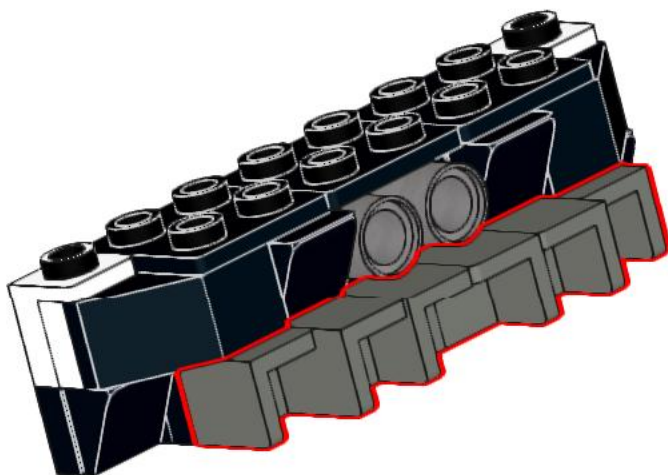
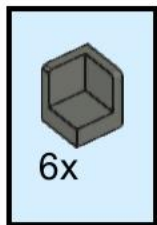
89



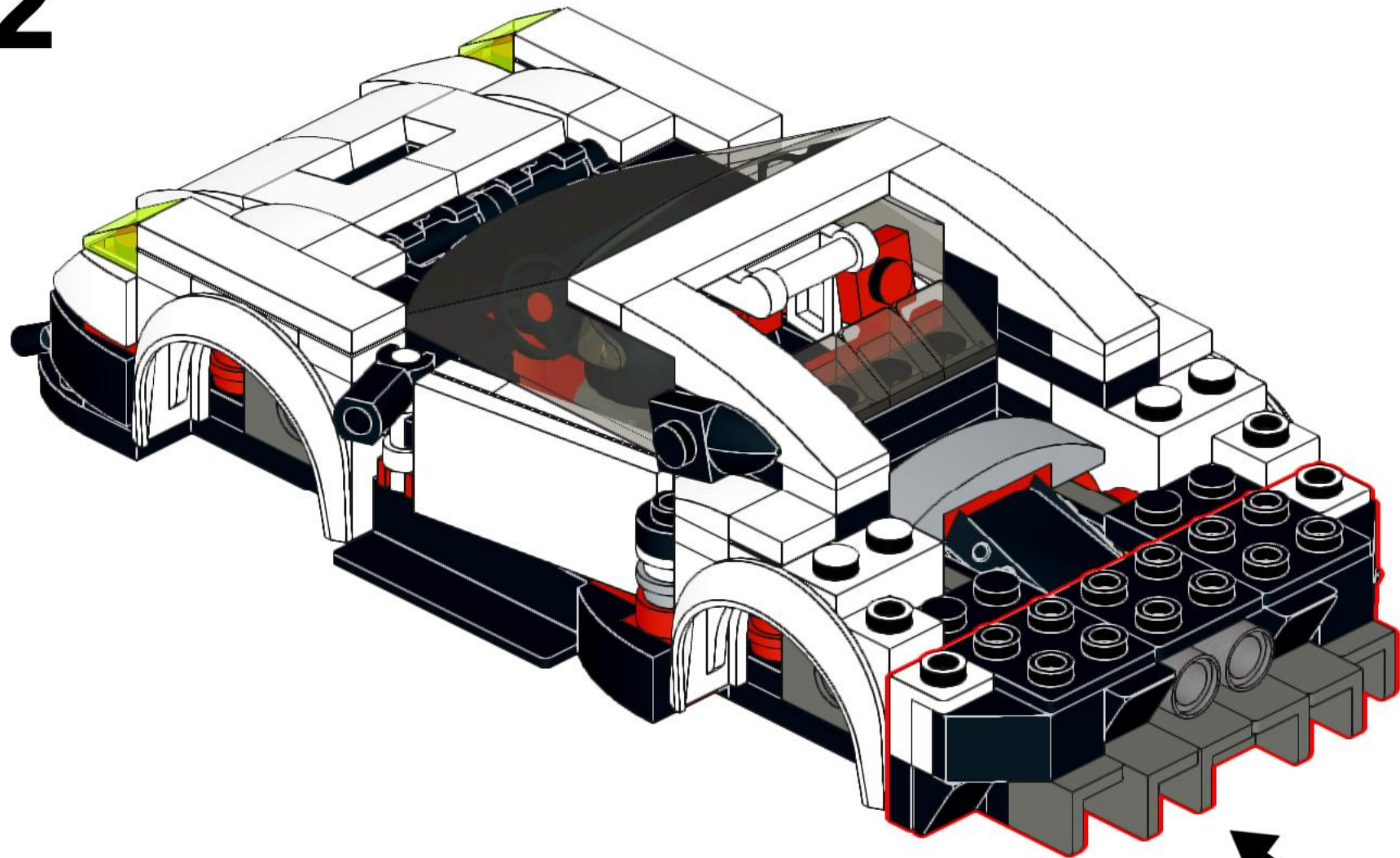
# 90



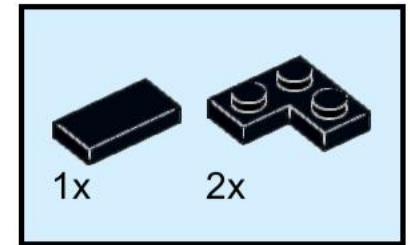
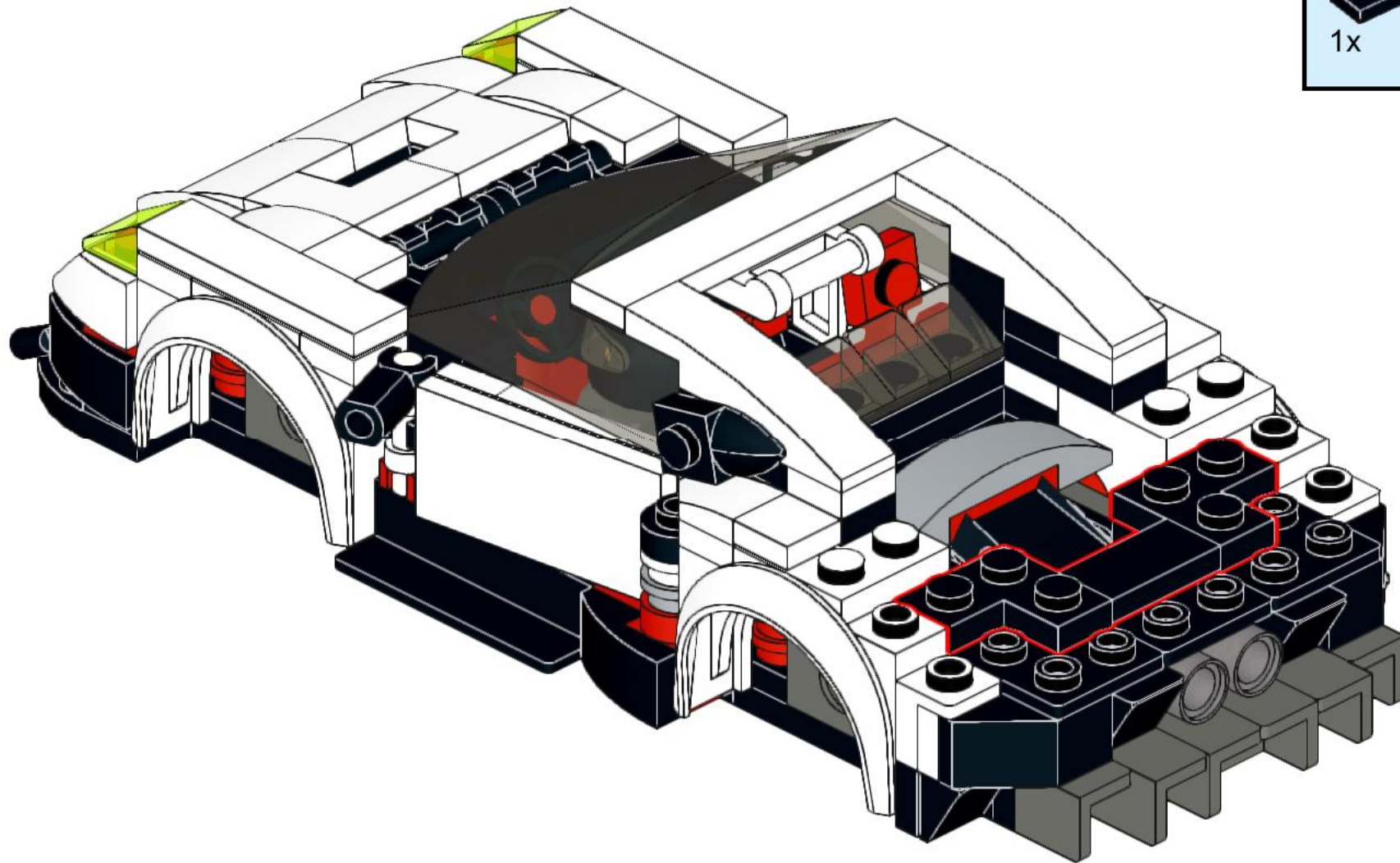
91



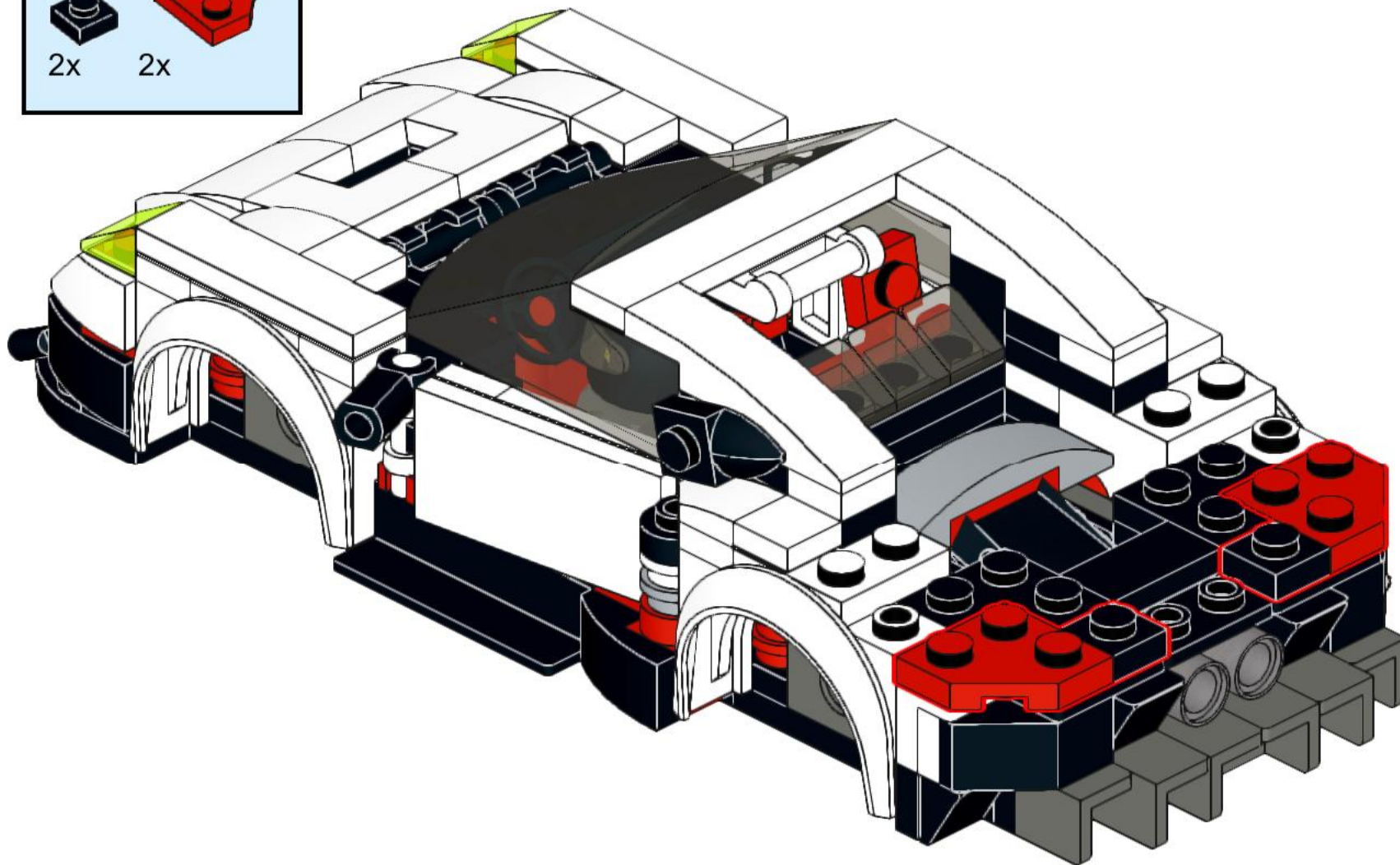
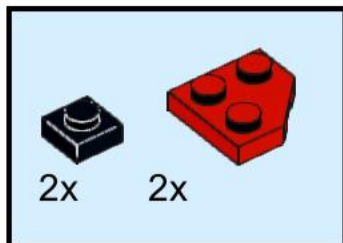
92



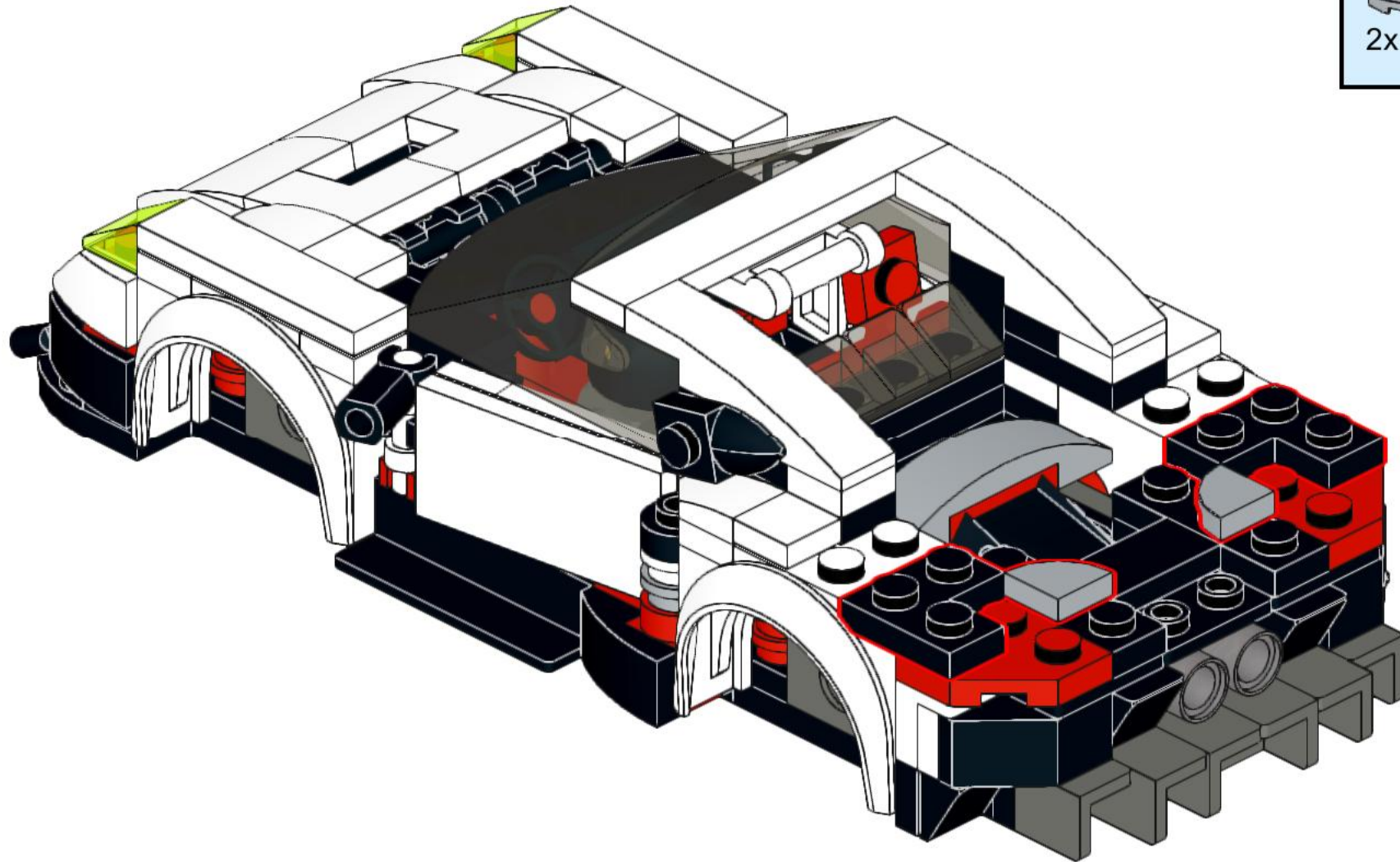
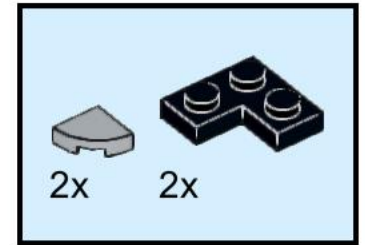
# 93



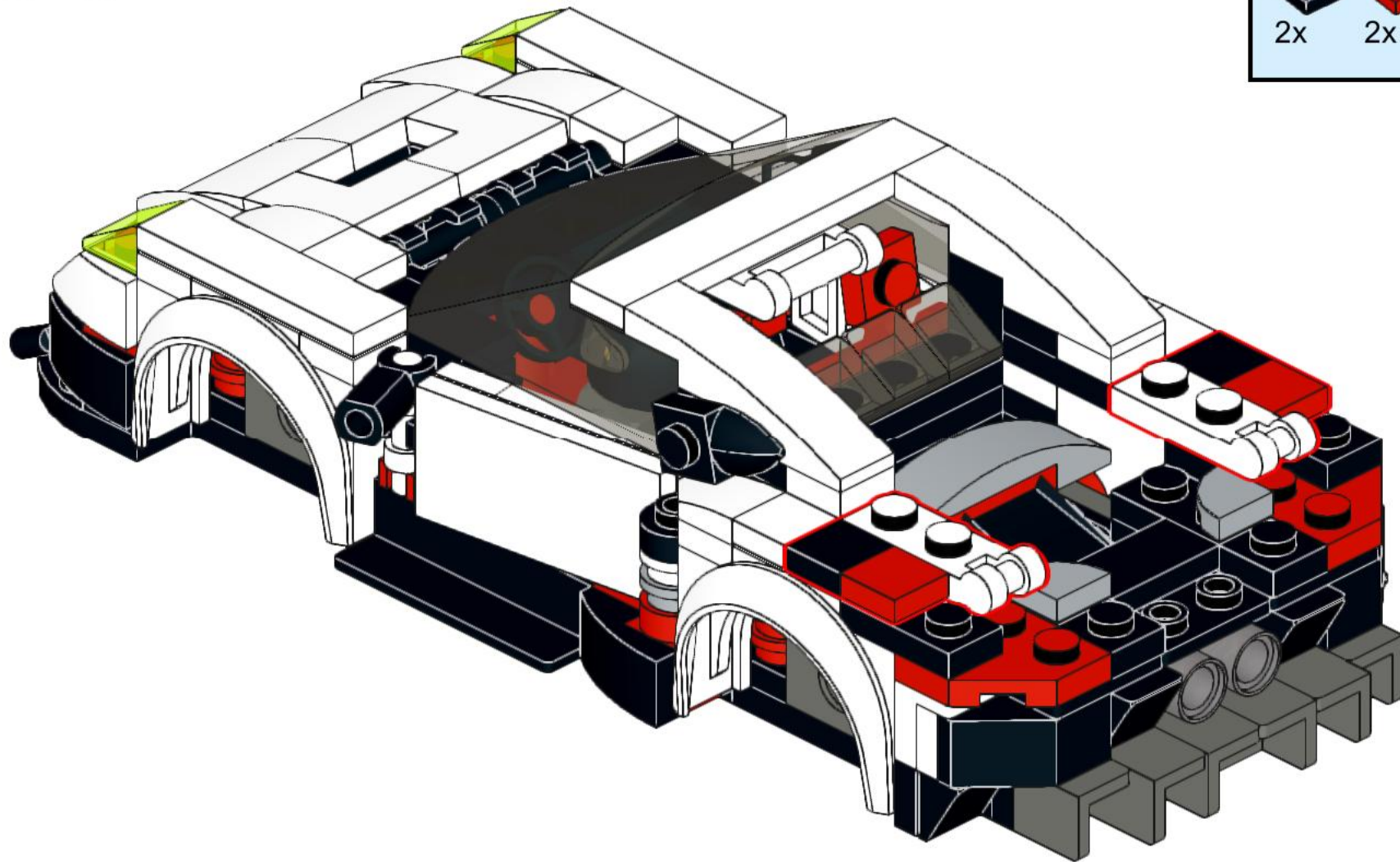
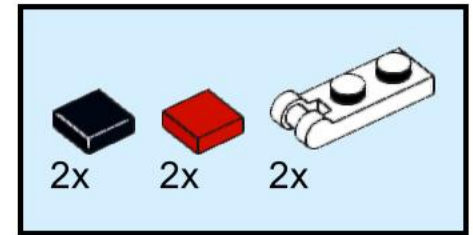
# 94



# 95

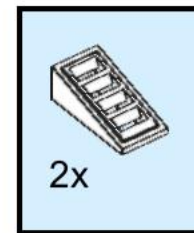
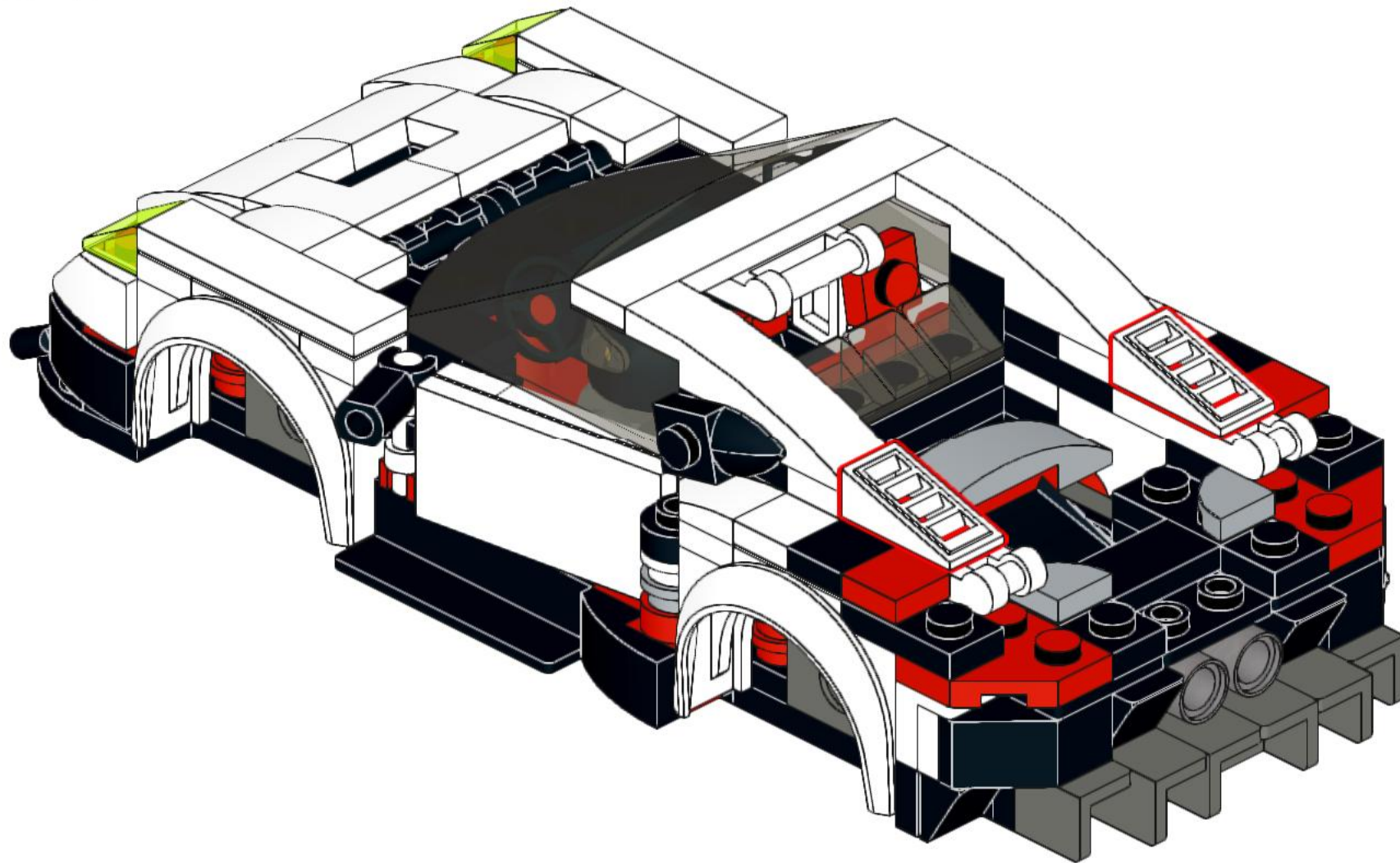


# 96

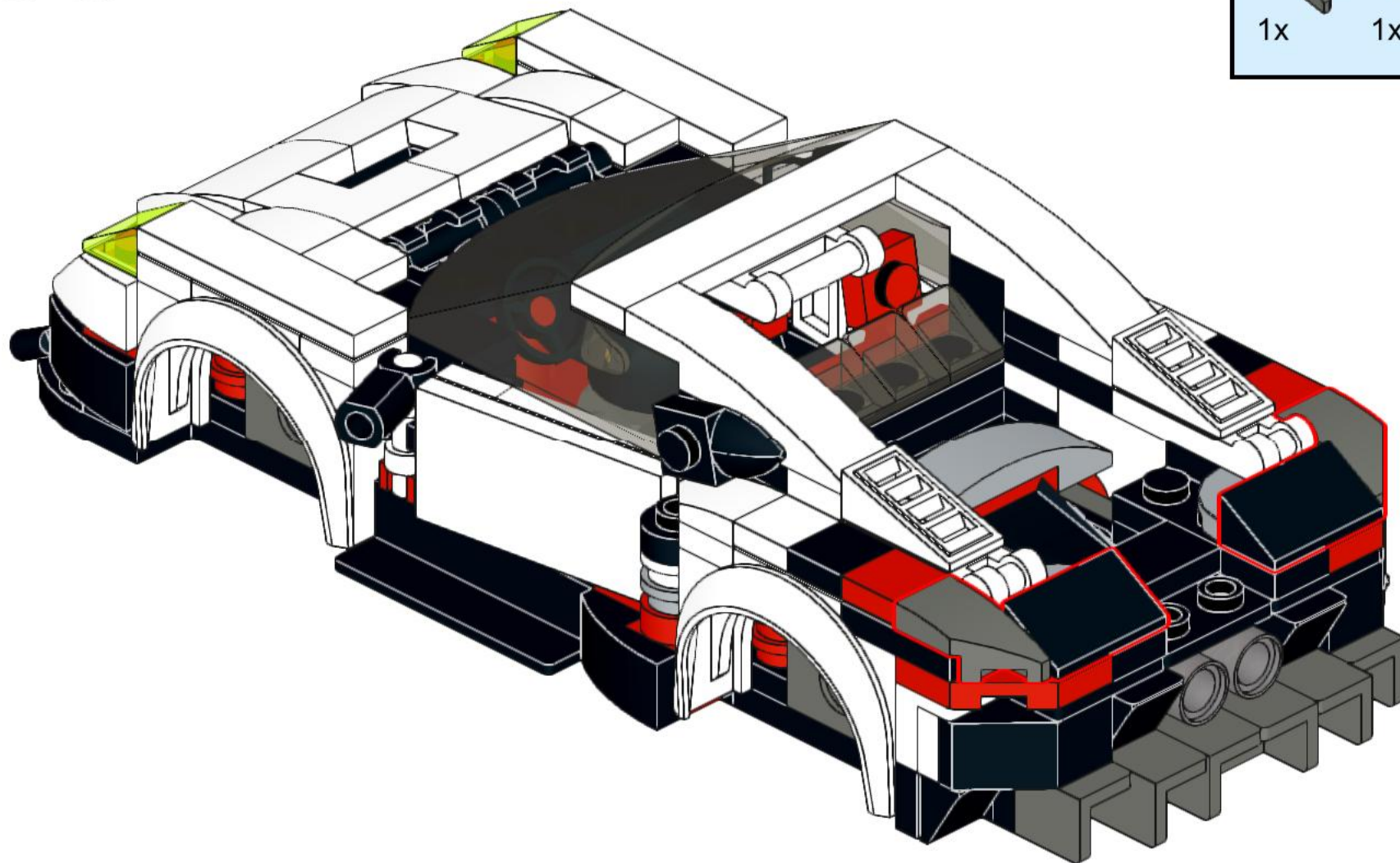
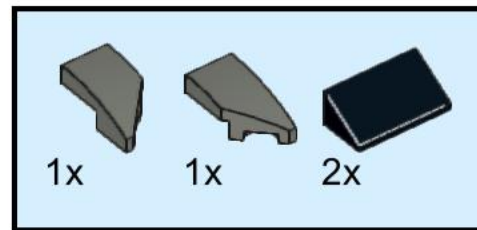




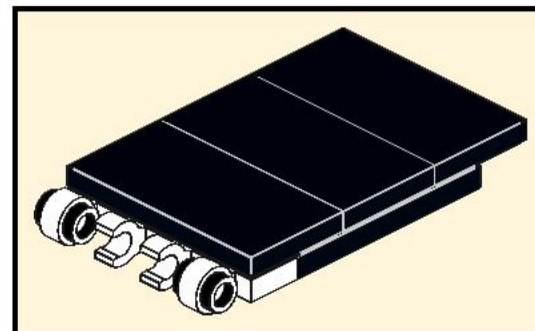
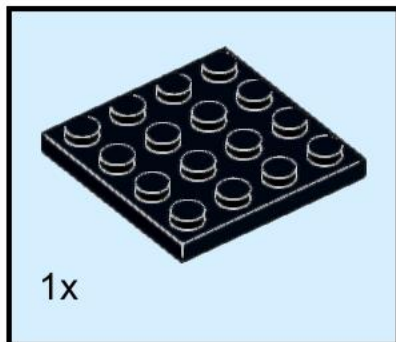
# 97



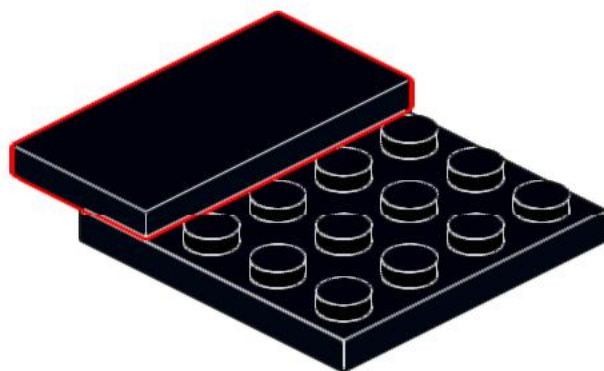
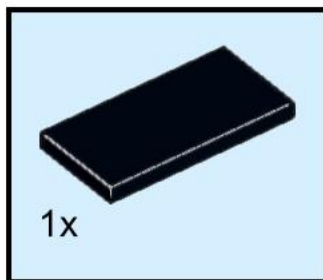
# 98



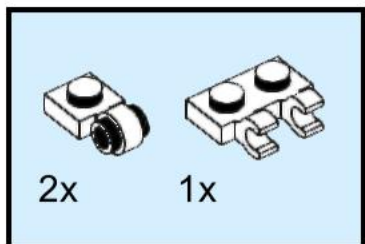
99



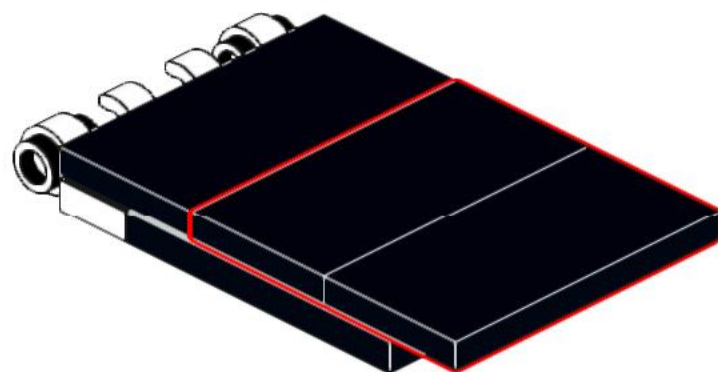
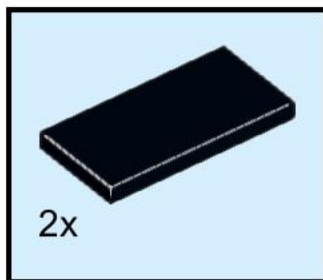
# 100



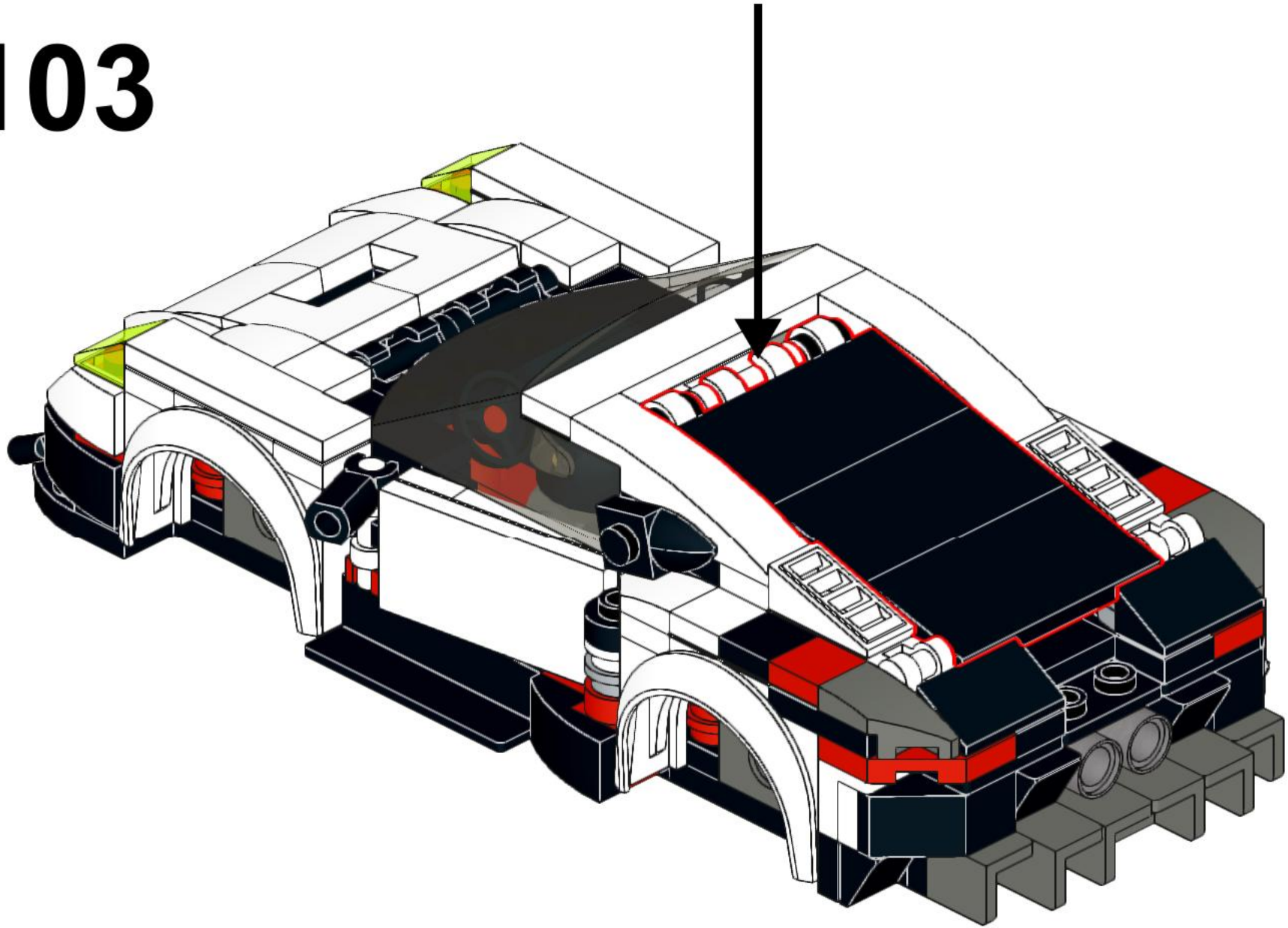
# 101



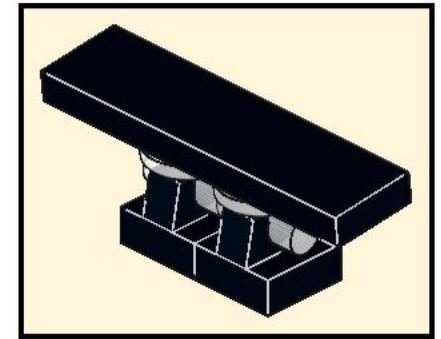
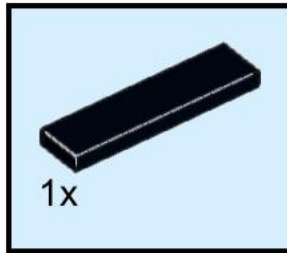
# 102



103

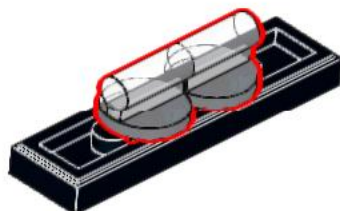
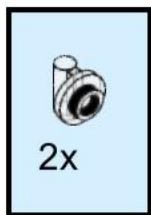


# 104

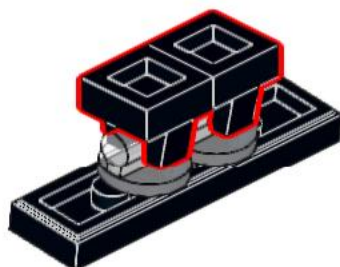




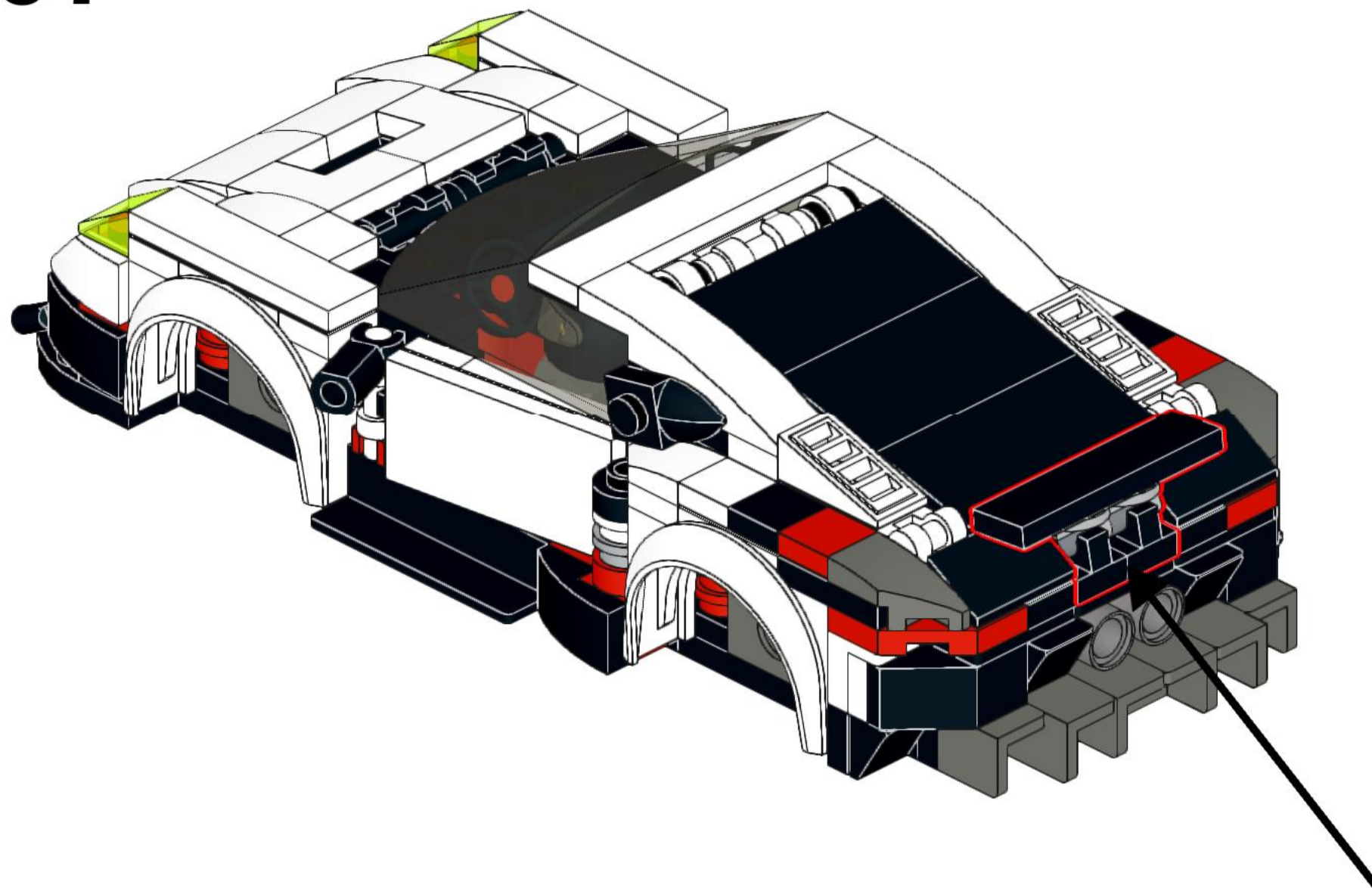
# 105



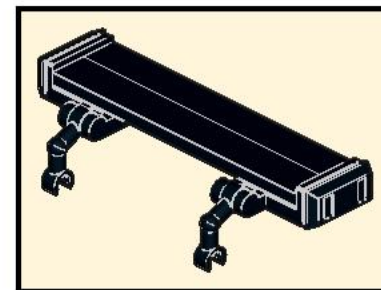
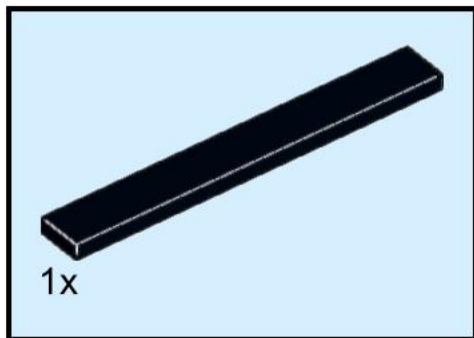
# 106



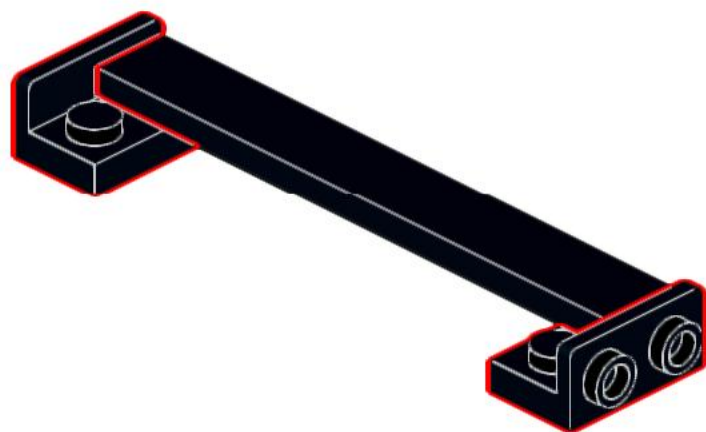
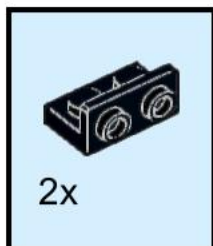
# 107



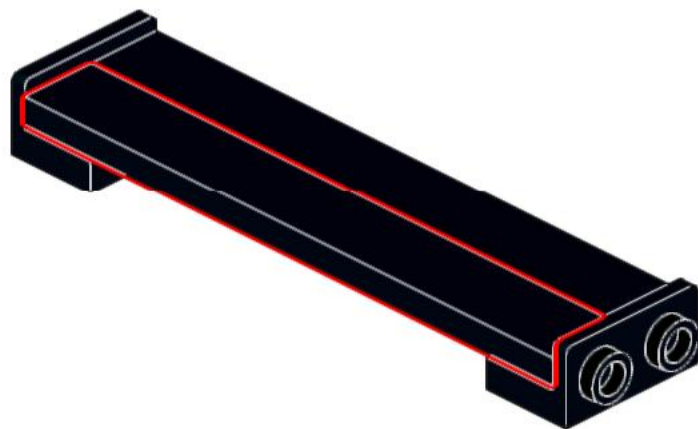
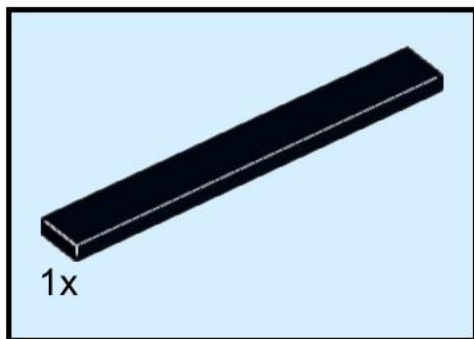
# 108



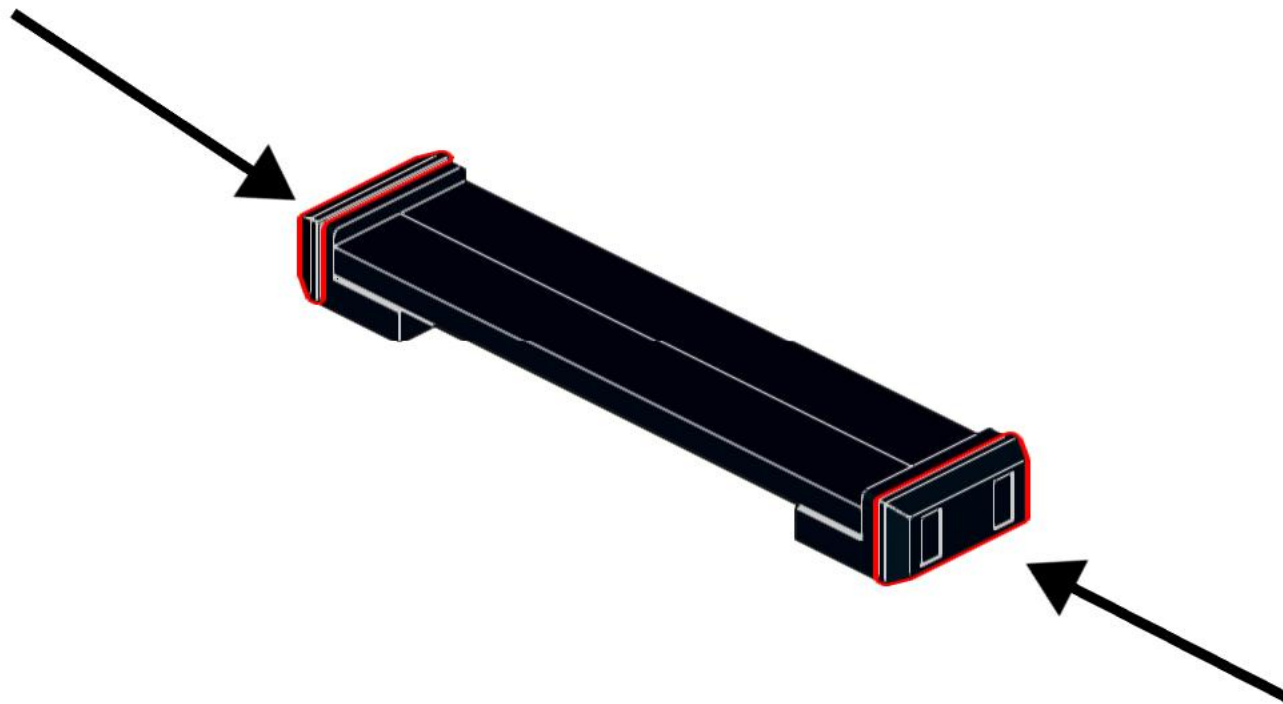
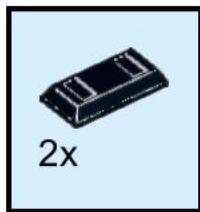
# 109



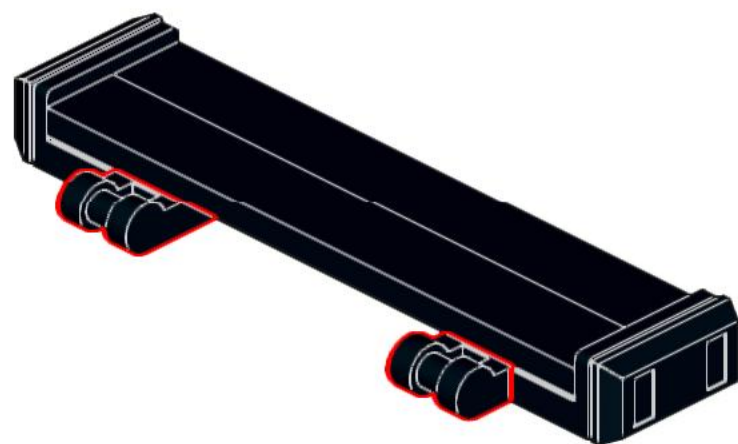
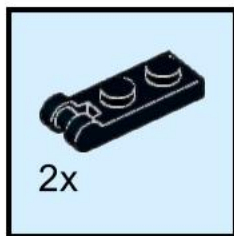
# 110



111

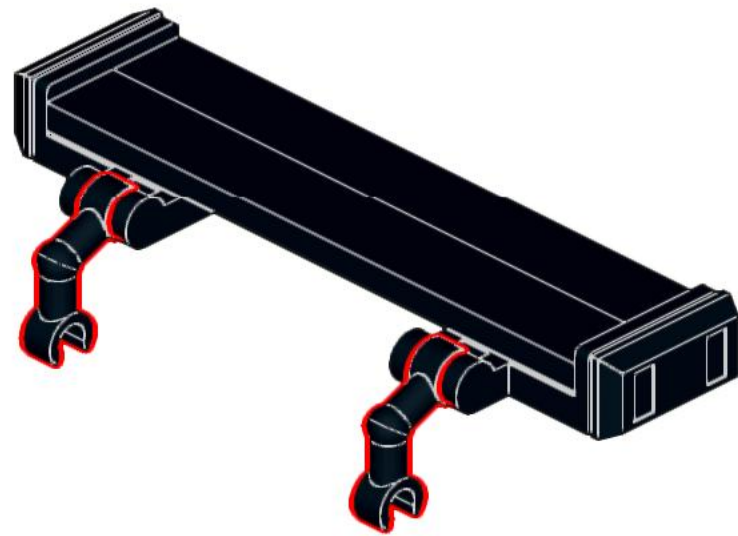


# 112

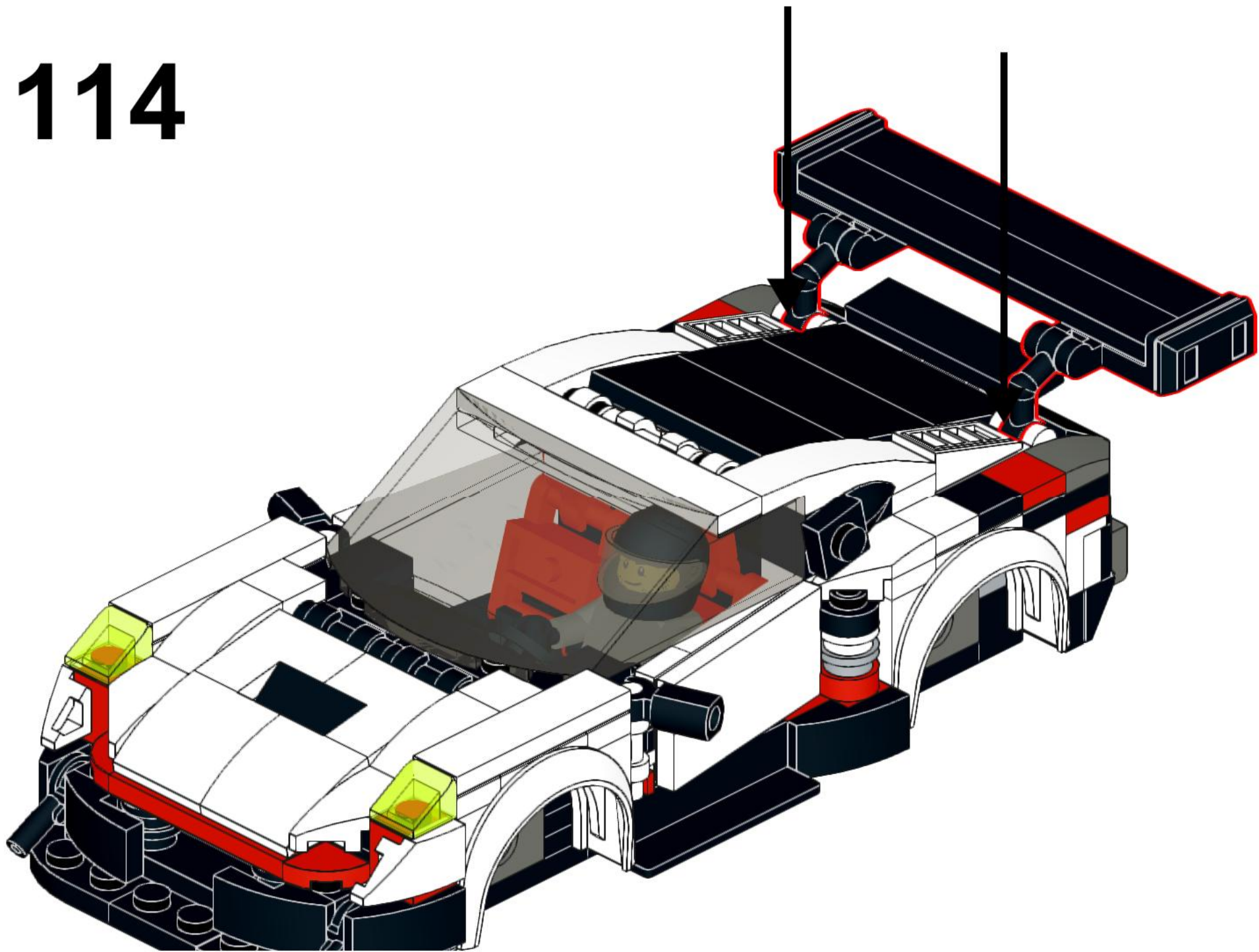




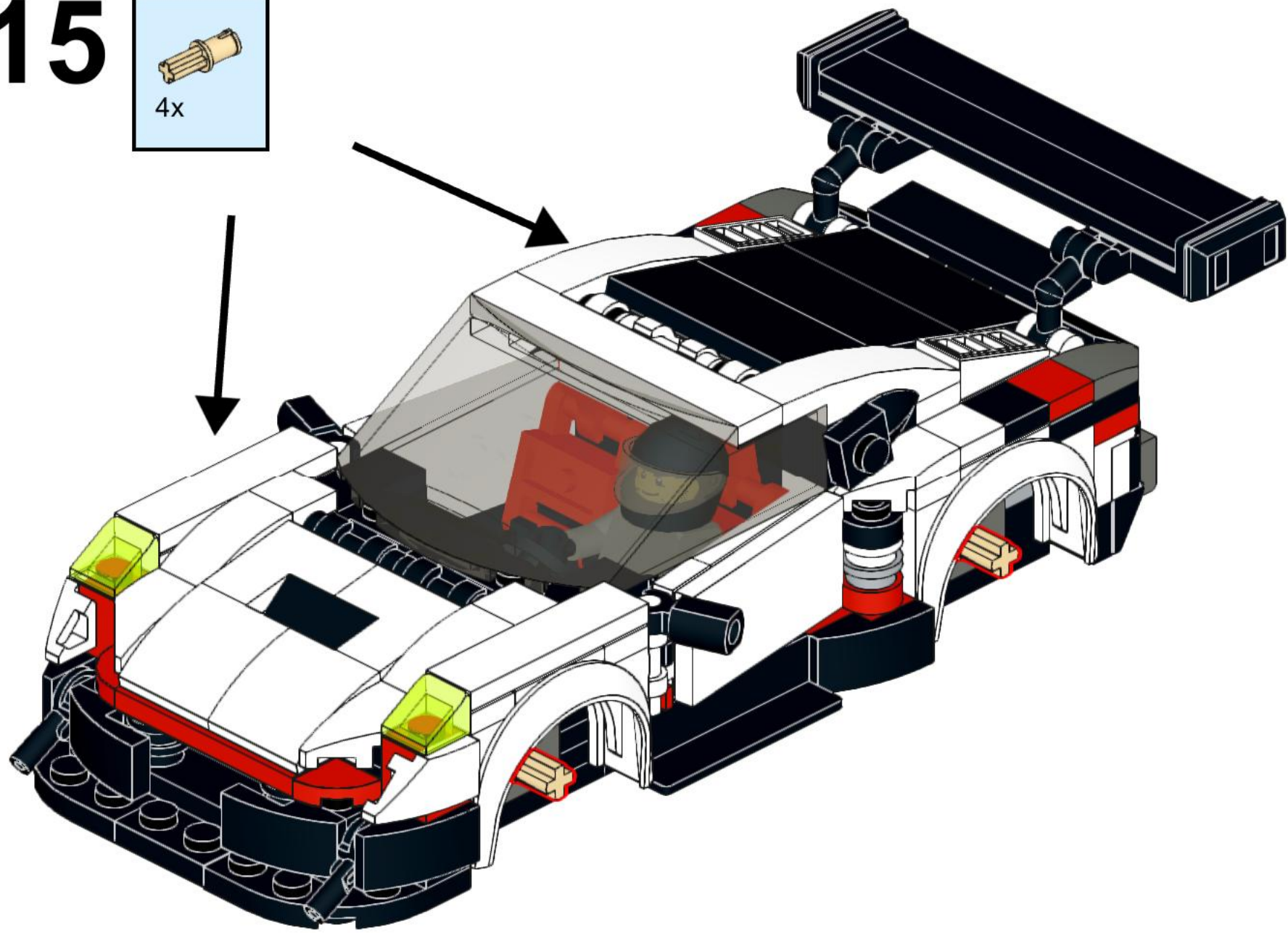
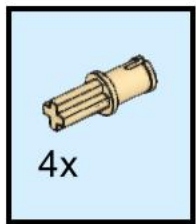
# 113



114



# 115



# 116

